

QLIV

Price list 2026
Recommended retail prices

Copyright © 2026 QLIV

Version 26.1

Office and Showroom Nederland

QLIV / Franciscusweg 10A-1 / 1216 SK Hilversum / The Netherlands

Contact and Social media

+31 85 130 1844 / info@QLIV.com / QLIV.com



@qliv_collection

Disclaimer

Despite the careful preparation of this price list, some information may be incomplete or incorrect. We make every effort to ensure that the information provided is as accurate and comprehensive as possible. Any information may be changed at any time without prior notice.

Liability

We accept no liability for any damages, direct or indirect, resulting from the use of information obtained through this price list.

Price Changes and Errors

Prices are subject to change. We reserve the right to correct any typographical, printing, or pricing errors, as well as to make changes to product availability. All listed prices are recommended retail prices and include VAT.

Adjust		5
Argill		7
Air 65 & Fat Air 65		11
Bridge		13
Cambria Serie		15
CoCo		25
Cross		27
Crossings		31
Fasset		33
Flared sofa		39
Folda sofa		45
Founded serie		47
Gon		51
Mingle		53
Mitchell serie		55
Mito		63
Motu Tapu		67
On Top		69
On Top Chair/Bench		73
Side-to-Side Serie		77
T2		89
To be served		91

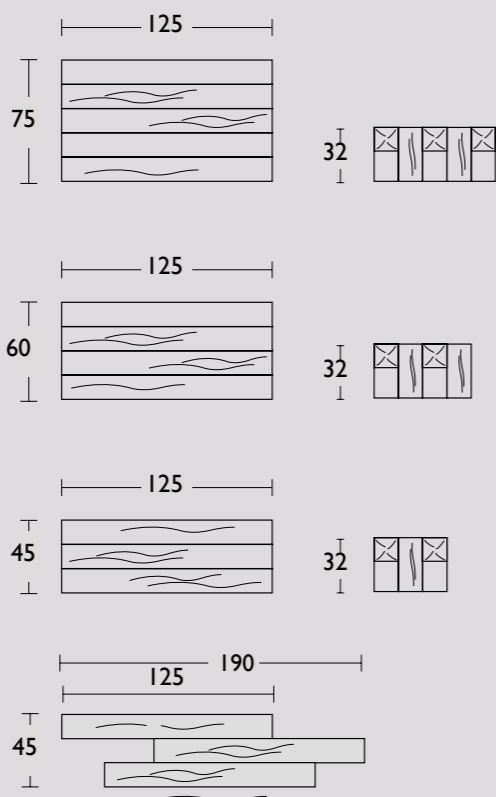
Adjust Coffee Table

We proudly present our unique Adjust coffee table. As the name suggests, this eye-catching piece allows you to cleverly adjust both its length and width. To create a bold, distinctive look, it is crafted from solid French oak heartwood.

The Adjust is available starting from three beams and can be expanded to suit your living preferences by adding additional beams. Thanks to a concealed mechanism, each beam can slide individually, allowing the table width to vary from 125 to 190 cm. This makes it easy to create a playful composition. Prefer a more clean and minimal look? Simply align the beams in straight lines.

Nothing is fixed—Adjust can be effortlessly adapted to your space and atmosphere, making it suitable for a wide range of interior styles.

Adjust



Adjust coffee table design by QLIV

Manufactured in the Netherlands

Approx. dimensions in cm

		Version A	Version B
Set of 3 beams	45 x 125/190 x 32cm	€ 1.767	€ 1.852
Set of 4 beams	60 x 125/190 x 32cm	€ 2.356	€ 2.470
Set of 5 beams	75 x 125/190 x 32cm	€ 2.945	€ 3.087
Set of 6 beams	90 x 125/190 x 32cm	€ 3.534	€ 3.704
Set of 7 beams	105 x 125/190 x 32cm	€ 4.123	€ 4.322
Set of 8 beams	120 x 125/190 x 32cm	€ 4.712	€ 4.939
Set of 9 beams	135 x 125/190 x 32cm	€ 5.301	€ 5.557
Set of 10 beams	150 x 125/190 x 32cm	€ 5.891	€ 6.174

Each additional beam costs €561 per piece in the soaped or oiled finish. The “Coal” black waxed version costs €588 per beam. The size of one beam is approximately 15 x 125 cm.

All listed prices are recommended retail prices and include VAT. Free delivery applies to orders from €1,000 net; otherwise, a shipping fee of €85 will be charged.

Version A: natural oak oil, soaped oak, smoked oak oil

Version B: “Coal” black waxed

Solid Wood Beams:

Solid French oak heartwood (responsibly sourced). Natural versions are finished with linseed oil or soap. The smoking process is a natural treatment using ammonia, which gives the oak a darker appearance. The “Coal” black oak is finished with a wax.

Frame (not visible):

Rolled steel, finished with a coating to enhance durability.

Customization:

Custom sizes, alternative colors, and different wood types are available upon request at an additional cost. Please contact us for more information.

Argill table

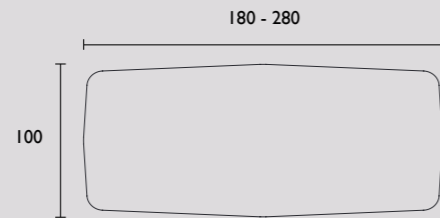
The Argill table is inspired by the classic argyle diamond pattern from the Argyll region in Scotland—widely recognized from traditional socks, knitwear, and Scottish tartans. This distinctive pattern forms the foundation of the unique diamond-shaped tabletop and is subtly echoed in the legs, creating a harmonious and timeless aesthetic.

The craftsmanship lies in the details. Both the tabletop and legs are produced through a combination of handcraft and CNC techniques, while the robust base—featuring (standard) stainless steel rods—enhances its timeless character. For those who prefer an alternative to stainless steel, the rods can also be executed in wood or finished in a custom color to add a playful touch to the interior.

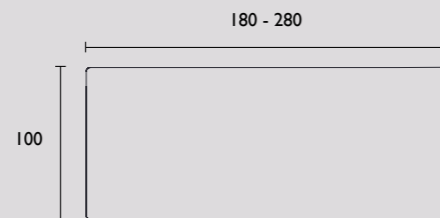
The leg position can be adjusted up to 40 cm inward, allowing the table to be tailored to your preferences. In addition, alternative tabletop shapes such as (Danish) oval or rectangular are available—while retaining the signature diamond pattern.



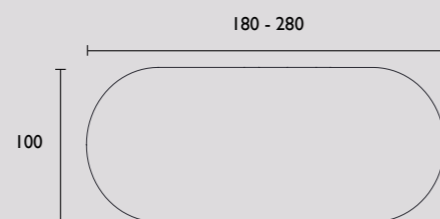
Argill - Original



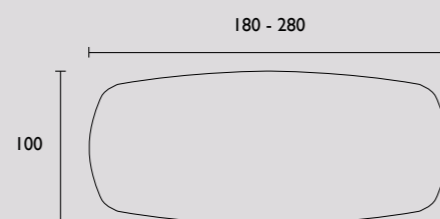
Argill - Rectangle with Rounded Corners



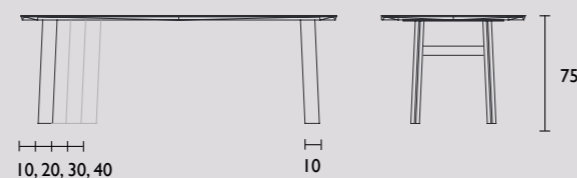
Argill - Minimal Oval



Argill - Danish Oval



Base



Argill table design by QLIV

Manufactured in the Netherlands

Approx. dimensions in cm	Version A	Version B	Authentic walnut *	Version C
180 x 100 x 75 cm	€ 3.248	€ 3.345	€ 3.410	€ 4.434
200 x 100 x 75 cm	€ 3.364	€ 3.465	€ 3.532	€ 4.592
220 x 100 x 75 cm	€ 3.480	€ 3.584	€ 3.654	€ 4.750
240 x 100 x 75 cm	€ 3.741	€ 3.853	€ 3.928	€ 5.106
260 x 100 x 75 cm	€ 3.915	€ 4.032	€ 4.111	€ 5.344
280 x 100 x 75 cm	€ 4.060	€ 4.182	€ 4.263	€ 5.542

* Please note: this model is also available in authentic American walnut and is finished with an ultra-matte transparent lacquer. This wood option is available upon request for other models as well.

All listed prices are recommended retail prices and include VAT. Free delivery applies to orders from €1,000 net; otherwise, a shipping fee of €85 will be charged.

Version A: Naturel oiled oak

Version B: Oak finished with **Skylt soap look** lacquer, **smoked Skylt soap look** lacquer, **smoked look** lacquer, **ash grey** lacquer, **stone grey** lacquer, **white wash** lacquer, **cedar** lacquer, **clay brown** lacquer, **carbon** lacquer and **coal black** lacquer.

Version C: American premium walnut, oiled or lacquered

Table and Finishes:

Crafted from solid French oak or solid American walnut, both of premium quality and responsibly sourced. Natural versions are finished with linseed oil or a matte transparent lacquer. Stained and lacquered oak finishes are first treated with the desired stain color and then sealed with a matte transparent lacquer. Optionally, oak can also be smoked upon request. This is a natural process using ammonia, which darkens the wood. Due to the natural tannin content, color variations between planks may occur; this is inherent to the material and not grounds for claims. As an alternative, a smoked look finish is available. This replicates the appearance of smoked oak while providing a more even color distribution across the tabletop.

Brushed:

Brushing the table is available at a 10% surcharge. Knots are filled with a two-component resin. The brushing process enhances the natural grain structure of the wood. Lead time for this option is approximately 8–10 weeks..

Base:

Solid oak or walnut base. Rods can be produced in the same material or in brushed stainless steel. Other RAL colors are available upon request at an additional cost.

Customization:

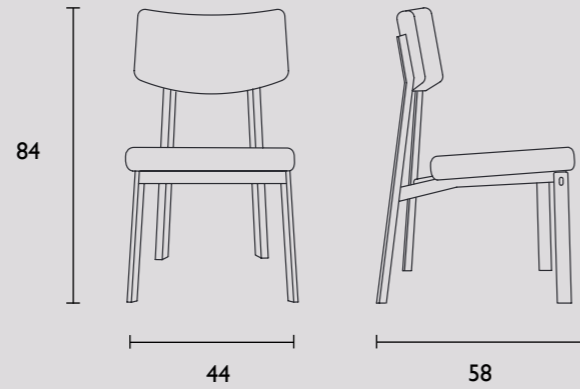
Custom dimensions, colors, and wood types are available upon request at an additional cost. Please contact us for further information.

Argill chair

The Argill chair is inspired by the classic argyle diamond pattern from the Argyll region in Scotland—widely recognized from traditional socks, knitwear, and Scottish tartans. The diamond motif is subtly incorporated into the legs of the chair, giving it an elegant and refined appearance. As such, the Argill chair forms a perfect complement to the Argill table, which features the same distinctive pattern.

The design is based on our popular On Top chair, but introduces a warmer character through its stylish wooden frame. The result is a chair that not only offers excellent comfort but also adds a refined accent to any interior.

Craftsmanship lies in the details: the wooden frame is carefully finished using a combination of handwork and CNC techniques. Thanks to its timeless design, the Argill chair fits seamlessly into both classic and modern interiors.



Argill chair design by QLIV

Manufactured in the Netherlands

Material	Fabric group 1	Fabric group 2	Fabric group 3	Fabric group 4	Fabric group 5
Argill chair in oak	€ 765	€ 798	€ 838	€ 879	€ 923
Argill chair in walnut	€ 875	€ 918	€ 964	€ 998	€ 1063

All listed prices are recommended retail prices and include VAT. Free delivery applies to orders from €1,000 net; otherwise, a shipping fee of €85 will be charged.

Oak finish options: Skytt zeep look gelakt, gerookt skytt zeep look gelakt, gerookt look gelakt, ash grey gelakt, stone grey gelakt, white wash gelakt, cedar gelakt, clay brown gelakt, carbon gelakt en coal black gelakt.

Walnut finish: Ultra matte transparant lacquer.

Fabric group 1: Customer's Own Material / Naua (6) / Sargasso (6) / Bora Bora, (6) / Gomesa, (6) / Isler, (6) / Milton, (6).

Fabric group 2: Tiare (6) / Moana (6) / Krabi (6) / Caldera (6) / Lazio, (6) / Tamil, (6) / Vivid, (1).

Fabric group 3: Oia, (6) / Bagan, (6) / Remix, (2) / Maple, (2) / Osino, (1) / Monza, (1) / Monza Melange, (1) / Manolo, (3) / Alto, (1) / Moss, (1) / Prairie, (1).

Fabric group 4: Hallingdal 65, (2) / Steelcut, (2) / Steelcut trio, (2) / Tonus, (2) / Divina, (2) / Tonica, (2) / Fiord, (2) / Clay, (2) / Umbra, (1) / Serra, (1) / Re-Wool, (2) / Goby, (4) / Moss, (5) / Safire, (5) / Zero, (5).

Fabric group 5: Twinwool, (1) / Ploegwool, (1) / Panama, (1) / Panamaplus, (1).

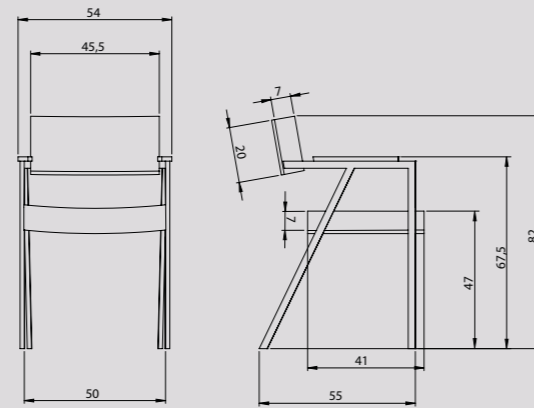
1 depløeg 2 kvadrat 3 aristide 4 ROMO 5 SAHCO 6 QLIV

Air 65 and Fat Air 65

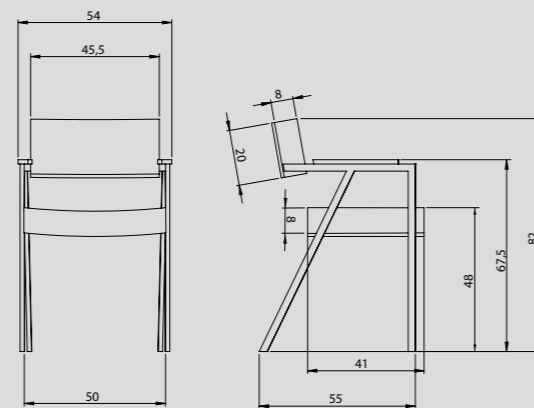
Even when it feels like every chair has already been created, how do you design one that still feels new? The Air 65 is built around a single, clear concept: no-nonsense design—comfortable and free from unnecessary decoration.

The Air 65 features a comfortable, wide seat. The only visible structural element is the connection of the backrest. The solidly designed legs, formed from subtle tubular elements, combined with the raw seat and backrest, give the chair a modest yet distinctive character.

Air 65



Fat Air 65



Air 65 and Fat Air 65 chair design by Anton de Groof

Manufactured in the Netherlands

	Fabric group 1	Fabric group 2	Fabric group 3	Fabric group 4	Fabric group 5	Leather Verve / Amigo	Leather Devon/ Wax S.	Leather Colorado
Air 65 0,9 m fabric / 2,5 m ² leather	€ 775	€ 794	€ 848	€ 883	€ 936	€ 895	€ 997	€ 1.079
Fat Air 65 1,0 m fabric / 2,5 m ² leather	€ 794	€ 821	€ 905	€ 930	€ 998	€ 996	€ 1.084	€ 1.178

All listed prices are recommended retail prices and include VAT. Free delivery applies to orders from €1,000 net; otherwise, a shipping fee of €85 will be charged.

Fabric group 1: Customer's Own Material / Naua (6) / Sargasso (6) / Bora Bora, (6) / Gomesa, (6) / Isler, (6) / Milton, (6).

Fabric group 2: Tiare (6) / Moana (6) / Krabi (6) / Caldera (6) / Lazio, (6) / Tamil, (6) / Vivid, (1).

Fabric group 3: Oia, (6) / Bagan, (6) / Remix, (2) / Maple, (2) / Osino, (1) / Monza, (1) / Monza Melange, (1) / Manolo, (3) / Alto, (1) / Moss, (1) / Prairie, (1).

Fabric group 4: Hallingdal 65, (2) / Steelcut, (2) / Steelcut trio, (2) / Tonus, (2) / Divina, (2) / Tonica, (2) / Fiord, (2) / Clay, (2) / Umbra, (1) / Serra, (1) / Re-Wool, (2) / Goby, (4) / Moss, (5) / Safire, (5) / Zero, (5).

Fabric group 5: Twinwool, (1) / Ploegwool, (1) / Panama, (1) / Panamaplus, (1).

1 deploeg: 2 kvadrat 3 aristide 4 ROMO 5 SAHCO 6 QLIV

Shell:

The shell is constructed using foams of varying densities and reinforced with an internal, concealed wooden and metal structure for added strength and durability.

Frame:

Steel frame with a matte black powder coating (RAL 9005). Other RAL colors are available upon request at an additional cost. All chairs are supplied as standard with protective caps or felt glides.

Armrests:

Choice of upholstered armrests or wooden armrests. Solid oak armrests are standard in black lacquer or natural oak finished with a matte transparent lacquer. Smoked oak is available at an additional cost of €100. Other finishes are available upon request.

Stitching:

Both fabric and leather versions are finished as standard with moccasin stitching. Double stitching is available upon request.

Bridge table

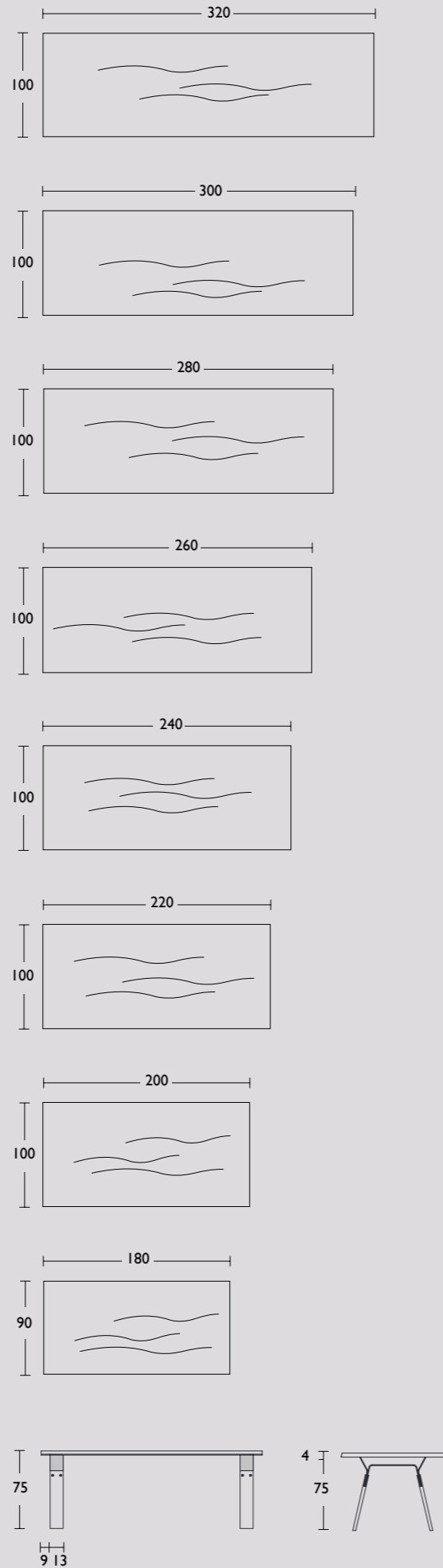
Our bold yet refined Bridge table is inspired by the bridges found throughout the Dutch landscape. Bridges symbolize connection and gathering—qualities that define the strength of this distinctive piece and what it brings to your interior. The supporting pillars of such bridges are designed by architects not only for strength, but also for visual elegance. This principle is clearly reflected in the design of our Bridge dining table.

The steel frame is crafted using laser-cut technology. The tabletop is precisely milled so that the steel frame is seamlessly recessed into the wood. The robust tabletop is made from solid French oak and consists of a single, solid slab.

This unique design is available as standard in a wide range of sizes and finishes. Customization is also possible upon request. Choose, for example, a wider or narrower tabletop, or position the distinctive frame differently to tailor the table to your preferences.

The Bridge table—where connection and gathering come together.

Bridge table



Bridge table design by QLIV

Manufactured in the Netherlands

Approx. dimensions in cm

Version A

Version B

Version C

180 x 90 x 75cm	€ 3.992	€ 4.092	€ 4.799
200 x 100 x 75cm	€ 4.092	€ 4.241	€ 4.951
220 x 100 x 75cm	€ 4.241	€ 4.391	€ 5.147
240 x 100 x 75cm	€ 4.415	€ 4.565	€ 5.387
260 x 100 x 75cm	€ 4.613	€ 4.763	€ 5.628
280 x 100 x 75cm	€ 4.837	€ 4.988	€ 5.914
300 x 100 x 75cm	€ 5.185	€ 5.334	€ 6.363
320 x 100 x 75cm	€ 5.436	€ 5.587	€ 6.677

All listed prices are recommended retail prices and include VAT. Free delivery applies to orders from €1,000 net; otherwise, a shipping fee of €85 will be charged.

Version A: Naturel oiled oak

Version B: Oak finished with **Skyt soap look** lacquer, **smoked Skyt soap look** lacquer, **smoked look** lacquer, **ash grey** lacquer, **stone grey** lacquer, **white wash** lacquer, **cedar** lacquer, **clay brown** lacquer, **carbon** lacquer and **coal black** lacquer.

Version C: American premium walnut, oiled or lacquered

Tabletop and Finishes:

Crafted from solid French oak or solid American walnut, both of premium quality and responsibly sourced. Natural versions are finished with linseed oil or a matte transparent lacquer. Stained and lacquered oak finishes are first treated with the desired stain color and then sealed with a matte transparent lacquer. Optionally, oak can also be smoked upon request. This is a natural process using ammonia, which darkens the wood. Due to the natural tannin content, color variations between planks may occur; this is inherent to the material and not grounds for claims. As an alternative, a smoked look finish is available. This replicates the appearance of smoked oak while providing a more even color distribution across the tabletop.

Brushed finish:

Brushing the table is available at a 10% surcharge. Knots are filled with a two-component resin. This process enhances the natural grain pattern of the wood. Lead time is approximately 8–10 weeks.

Base:

Rolled steel, cut using laser-cut technology and finished as standard with a dark grey powder coating. Other RAL colors are available upon request at an additional cost. The frame is positioned at the end of the tabletop as standard; alternative positioning is available upon request at no additional cost.

Customization:

Custom dimensions are available upon request. Pricing is based on the next larger standard size plus a 10% surcharge. Example: Desired size 260 x 90 x 75 cm □ use the price of 260 x 100 x 75 cm plus a 10% surcharge. Alternative colors and wood types are available upon request at an additional cost. Please contact us for more information.

Cambria chair

This exceptionally comfortable chair is inspired by the elegant Cambria orchid and is perfectly suited for long, relaxed dining. A luxurious design featuring a slender, refined outer silhouette combined with a soft, inviting interior. Paired with a powder-coated steel frame, it creates a striking balance between elegance and bold sophistication.

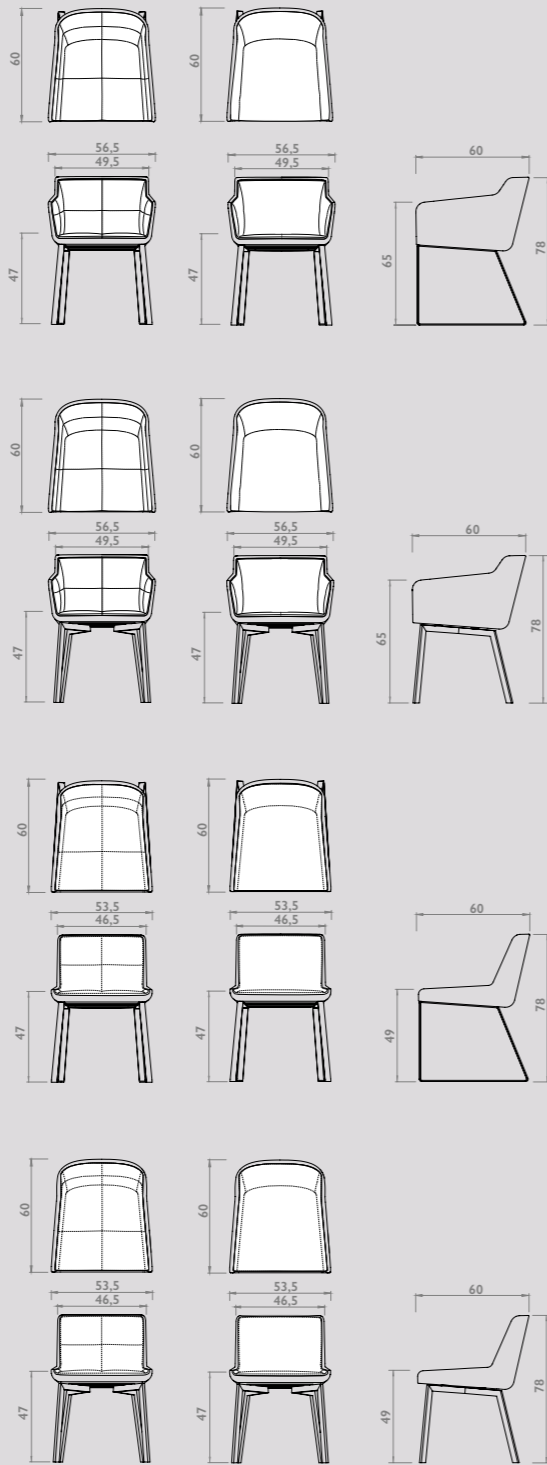
The graceful curves at the base of the shell are achieved through advanced foam-injection techniques. This highly durable method results in a lighter-weight chair while ensuring the highest level of quality and improved ergonomic comfort.

Available in a wide range of colors and materials, the Cambria can be fully tailored to suit your interior. The comfortable inner cushion is removable and can easily be replaced when needed.

Not only does this chair look beautiful at the dining table, it is also comfortable enough to support you throughout a full day of work.



Cambria chair



Stitched cushion Smooth cushion

Cambria chair design by Sven Schimmer

Manufactured in the Netherlands

	Fabric group 1	Fabric group 2	Fabric group 3	Fabric group 4	Fabric group 5	Leather Angler/ Madura	Leather Devon/ Wax S.	Leather Colorado
Cambria shell with armrests (4-leg or sled) 1,15 m fabric / 2,3 m ² leather	€ 903	€ 970	€ 1.044	€ 1.123	€ 1.212	€ 1.140	€ 1.223	€ 1.408
Stitched cushion 1,1 m fabric / 2,0 m ² leather	€ 374	€ 402	€ 433	€ 465	€ 503	€ 751	€ 787	€ 901
Smooth cushion 1,0 m fabric / 1,5 m ² leather	€ 307	€ 330	€ 354	€ 381	€ 413	€ 519	€ 567	€ 651
Cambria shell (4-leg or sled) 0,9 m fabric / 1,7 m ² leather	€ 812	€ 874	€ 939	€ 1.009	€ 1.090	€ 1.051	€ 1.135	€ 1.303
Stitched cushion 0,7 m fabric / 1,5 m ² leather	€ 334	€ 359	€ 386	€ 415	€ 449	€ 714	€ 746	€ 857
Smooth cushion 0,7 m fabric / 1,5 m ² leather	€ 307	€ 330	€ 354	€ 381	€ 413	€ 519	€ 567	€ 651

The price of a complete chair consists of the price of the shell plus the cushion.

All listed prices are recommended retail prices and include VAT. Free delivery applies to orders from €1,000 net; otherwise, a shipping fee of €85 will be charged.

Fabric group 1: Customer's Own Material / Naua (6) / Sargasso (6) / Bora Bora, (6) / Gomesa, (6) / Isler, (6) / Milton, (6).

Fabric group 2: Tiare (6) / Moana (6) / Krabi (6) / Caldera (6) / Lazio, (6) / Tamil, (6) / Vivid, (1).

Fabric group 3: Oia, (6) / Bagan, (6) / Remix, (2) / Maple, (2) / Osino, (1) / Monza, (1) / Monza Melange, (1) / Manolo, (3) / Alto, (1) / Moss, (1) / Prairie, (1).

Fabric group 4: Hallingdal 65, (2) / Steelcut, (2) / Steelcut trio, (2) / Tonus, (2) / Divina, (2) / Tonica, (2) / Fiord, (2) / Clay, (2) / Umbra, (1) / Serra, (1) / Re-Wool, (2) / Goby, (4) / Moss, (5) / Safire, (5) / Zero, (5).

Fabric group 5: Twinwool, (1) / Ploegwool, (1) / Panama, (1) / Panamaplus, (1).

1 deploeg 2 kvadrat 3 aristide 4 ROMO 5 SAHCO 6 QLIV

Shell:

The shell is foam-molded using an injection process and reinforced with a concealed metal structure for added strength and durability.

Sled Base:

Rolled steel, cut using laser-cut technology and finished with a dark grey powder coating. Other RAL colors are available upon request at an additional cost. All chairs are supplied as standard with protective caps and felt glides, suitable for both hard and soft flooring.

4-Leg Base:

Rolled steel, cut using laser-cut technology and finished with a black (RAL 9005) or bronze-colored powder coating. Other RAL colors are available upon request at an additional cost. All chairs are supplied as standard with rubber caps, suitable for both hard and soft flooring.

Cambria XL chair

This exceptionally comfortable chair is inspired by the elegant Cambria orchid and is perfectly suited for long, relaxed dining. The Cambria XL offers the same refined design with enhanced proportions for added comfort and presence. A luxurious piece featuring a slender, elegant outer silhouette combined with a soft, inviting interior.

Paired with a powder-coated steel frame, it creates a striking contrast between elegance and bold sophistication. The graceful curves at the base of the shell are achieved through advanced foam-injection techniques. This highly durable method results in a lightweight chair while ensuring the highest level of quality and improved ergonomic comfort.

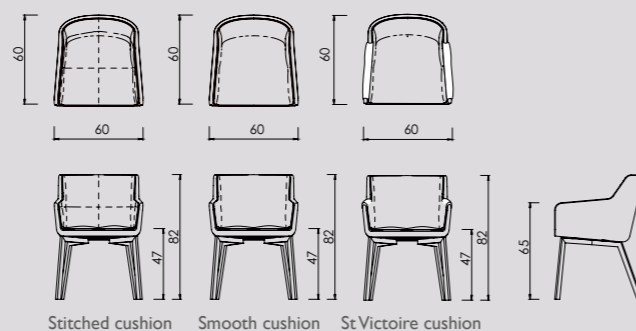
Available in a wide range of colors and materials, the Cambria XL can be fully tailored to suit your interior. The comfortable inner cushion is removable and can easily be replaced when needed.

Not only does this chair look beautiful at the dining table, it is also comfortable enough to support you throughout a full day of work.

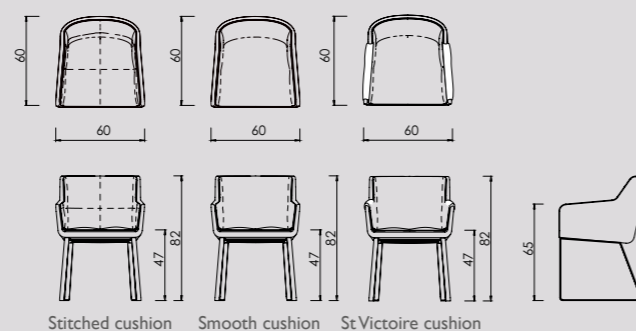


Cambria XL chair

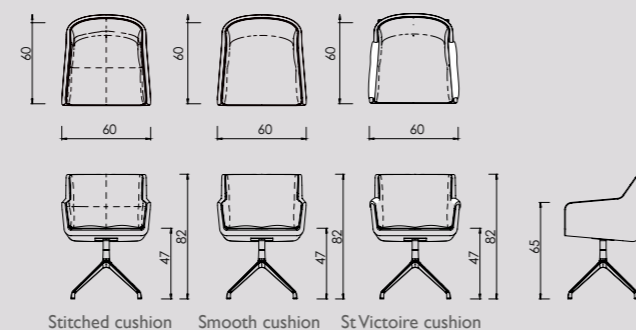
Steel base - 4-legs



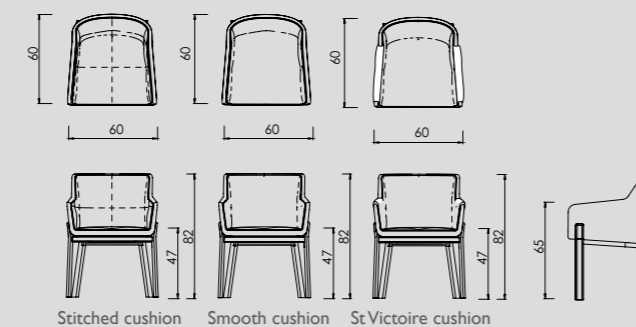
Steel base - sled



Steel base - swivel



Wooden base - 4-legs



Cambria XL chair design by Sven Schimmer

Manufactured in the Netherlands

	Fabric group 1	Fabric group 2	Fabric group 3	Fabric group 4	Fabric group 5	Leer Angler/ Madura	Leer Devon/ Wax S.	Leer Colorado
Cambria XL (steel base) 1,25 m fabric / 2,5 m ² leather	€ 981	€ 1.050	€ 1.133	€ 1.223	€ 1.321	€ 1.230	€ 1.418	€ 1.630
Cambria XL (wooden base) 1,25 m fabric / 2,5 m ² leather	€ 1.114	€ 1.183	€ 1.266	€ 1.356	€ 1.455	€ 1.363	€ 1.552	€ 1.764
Stitched cushion 1,2 m fabric / 2,3 m ² leather	€ 437	€ 472	€ 510	€ 549	€ 594	€ 819	€ 832	€ 955
Smooth cushion 1,1 m fabric / 1,6 m ² leather	€ 318	€ 345	€ 372	€ 402	€ 435	€ 514	€ 588	€ 676
St Victoire cushion 1,1 m fabric / 1,6 m ² leather	€ 481	€ 519	€ 561	€ 605	€ 654	€ 901	€ 916	€ 1.051

The total price of a complete chair is composed of the shell and cushion.

All listed prices are recommended retail prices and include VAT. Free delivery applies to orders from €1,000 net; otherwise, a shipping fee of €85 will be charged.

Fabric group 1: Customer's Own Material / Naua (6) / Sargasso (6) / Bora Bora, (6) / Gomesa, (6) / Isler, (6) / Milton, (6).

Fabric group 2: Tiare (6) / Moana (6) / Krabi (6) / Caldera (6) / Lazio, (6) / Tamil, (6) / Vivid, (1).

Fabric group 3: Oia, (6) / Bagan, (6) / Remix, (2) / Maple, (2) / Osino, (1) / Monza, (1) / Monza Melange, (1) / Manolo, (3) / Alto, (1) / Moss, (1) / Prairie, (1).

Fabric group 4: Hallingdal 65, (2) / Steelcut, (2) / Steelcut trio, (2) / Tonus, (2) / Divina, (2) / Tonica, (2) / Fiord, (2) / Clay, (2) / Umbra, (1) / Serra, (1) / Re-Wool, (2) / Goby, (4) / Moss, (5) / Safire, (5) / Zero, (5).

Fabric group 5: Twinwool, (1) / Ploegwool, (1) / Panama, (1) / Panamaplus, (1).

1 de ploeg 2 kvadrat 3 aristide 4 ROMO 5 SAHCO 6 QLIV

Shell:

The shell is foam-molded using an injection process and reinforced with a concealed metal structure for added strength and durability.

Steel Base:

Choice of a four-leg base or sled base. Made from rolled steel, cut using laser-cut technology and finished with a dark grey or bronze powder coating. Other RAL colors are available upon request at an additional cost. All chairs are supplied as standard with protective caps and felt glides, suitable for both hard and soft flooring.

Wooden Base:

Solid oak, available in the following finishes: Skylt soap-look lacquer, smoked Skylt soap-look lacquer, smoked-look lacquer, ash grey lacquer, stone grey lacquer, white wash lacquer, cedar lacquer, clay brown lacquer, carbon lacquer, and coal black lacquer. Also available in solid American walnut upon request; pricing on request.

Swivel Base:

Aluminum swivel base, available as standard in matte black or bronze powder coating. Surcharge: €100. All chairs are supplied as standard with rubber caps, suitable for both hard and soft flooring.

Cushion Options:

Three cushion options are available for the shell chair: a stitched cushion, a smooth cushion, and the St. Victoire cushion. The St. Victoire cushion extends over the armrests, allowing the arms to rest comfortably on the supports.

Cambria fauteuil

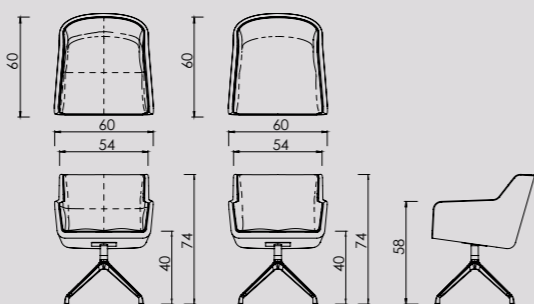
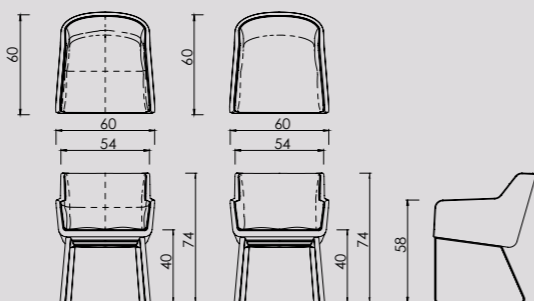
This exceptionally comfortable armchair is inspired by the elegant Cambria orchid and is perfectly suited for long, relaxed dining. A luxurious design featuring a slender, refined outer silhouette combined with a soft, inviting interior.

Paired with a powder-coated steel frame, it creates a striking contrast between elegance and bold sophistication. The graceful curves at the base of the shell are achieved through advanced foam-injection techniques. This highly durable method results in a lightweight chair while ensuring the highest level of quality and enhanced ergonomic comfort.

Available in a wide range of colors and materials, the Cambria can be fully tailored to suit your interior. The comfortable inner cushion is removable and can easily be replaced when needed.

Not only does this armchair look beautiful at the dining table, it is also comfortable enough to support you throughout a full day of work.

Cambria fauteuil



Stitched cushion Smooth cushion



Cambria fauteuil design by Sven Schimmer

Manufactured in the Netherlands

	Fabric group 1	Fabric group 2	Fabric group 3	Fabric group 4	Fabric group 5	Leather Angler/Madura	Leather Devon/Wax S.	Leather Colorado
Cambria fauteuil (steel base) 1,25 m fabric / 2,5 m ² leather	€ 1.096	€ 1.177	€ 1.266	€ 1.361	€ 1.469	€ 1.354	€ 1.560	€ 1.793
Cambria fauteuil (wooden base) 1,25 m fabric / 2,5 m ² leather	€ 1.379	€ 1.461	€ 1.549	€ 1.644	€ 1.752	€ 1.638	€ 1.844	€ 2.076
Stitched cushion 1,2 m fabric / 2,3 m ² leather	€ 437	€ 472	€ 510	€ 549	€ 594	€ 819	€ 832	€ 955
Smooth cushion 1,1 m fabric / 1,6 m ² leather	€ 318	€ 345	€ 372	€ 402	€ 435	€ 514	€ 588	€ 676

The price of a complete chair consists of the shell and cushion.

All listed prices are recommended retail prices and include VAT. Free delivery applies to orders from €1.000 net; otherwise, a shipping fee of €85 will be charged.

Fabric group 1: Customer's Own Material / Naua (6) / Sargasso (6) / Bora Bora, (6) / Gomesa, (6) / Isler, (6) / Milton, (6).

Fabric group 2: Tiare (6) / Moana (6) / Krabi (6) / Caldera (6) / Lazio, (6) / Tamil, (6) / Vivid, (1).

Fabric group 3: Oia, (6) / Bagan, (6) / Remix, (2) / Maple, (2) / Osino, (1) / Monza, (1) / Monza Melange, (1) / Manolo, (3) / Alto, (1) / Moss, (1) / Prairie, (1).

Fabric group 4: Hallingdal 65, (2) / Steelcut, (2) / Steelcut trio, (2) / Tonus, (2) / Divina, (2) / Tonica, (2) / Fiord, (2) / Clay, (2) / Umbra, (1) / Serra, (1) / Re-Wool, (2) / Goby, (4) / Moss, (5) / Safire, (5) / Zero, (5).

Fabric group 5: Twinwool, (1) / Ploegwool, (1) / Panama, (1) / Panamaplus, (1).

1 de ploeg: 2 kvadrat 3 aristide 4 ROMO 5 SAHCO 6 QLIV

Shell:

The shell is foam-molded using an injection process and reinforced with a concealed metal structure for added strength and durability.

Sled base:

Rolled steel, cut using laser-cut technology and finished with a dark grey or bronze powder coating. Other RAL colors are available upon request at an additional cost. All chairs are supplied as standard with protective caps and felt glides, suitable for both hard and soft flooring.

Four-leg base:

Rolled steel, cut using laser-cut technology and finished with a black (RAL 9005) or bronze powder coating. Other RAL colors are available upon request at an additional cost. All chairs are supplied as standard with rubber caps, suitable for both hard and soft flooring.

Swivel base:

Aluminum swivel base, available as standard in matte black or bronze powder coating. Surcharge: €100. All chairs are supplied as standard with rubber caps, suitable for both hard and soft flooring.

Cambria XL Bliss

The Cambria XL Bliss is a beautifully designed and thoughtfully crafted dining armchair, where elegance, charm, and comfort come together seamlessly. The attention to detail—such as the softly rounded edges of the truncated pyramid base and the gentle, inviting seat—reflects a careful balance between aesthetics and functionality.

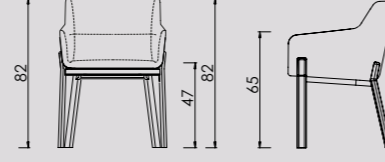
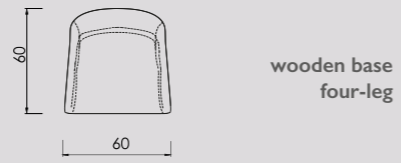
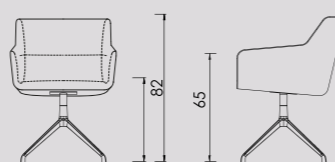
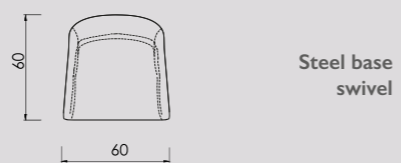
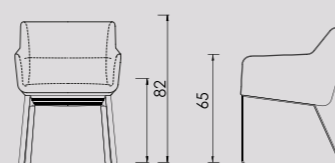
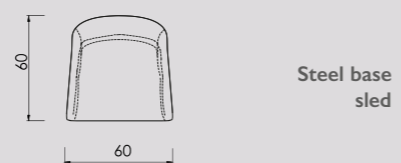
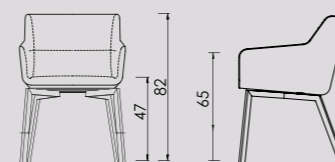
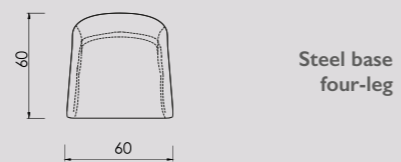
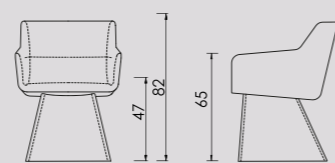
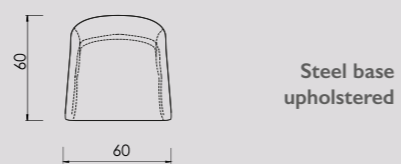
The base subtly widens towards the floor, providing stability without compromising the overall lightness of the design—demonstrating a strong sense of proportion and balance. The gently angled backrest and its enveloping form are carefully considered features, designed to offer both relaxation and an elegant posture during social moments at the table.

The upholstered finish, wrapping the Cambria Bliss like a tailored suit, adds a final layer of refinement—ensuring that the chair not only looks sophisticated but also feels luxurious.

Altogether, the Cambria XL Bliss is a meticulously designed piece that prioritizes both style and comfort, making it a distinctive addition to any interior setting.



Cambria XL Bliss



Cambria XL Bliss chair design by Sven Schimmer

Manufactured in the Netherlands

	Fabric group 1	Fabric group 2	Fabric group 3	Fabric group 4	Fabric group 5	Leather Angler/Madura	Leather Devon/Wax S.	Leather Colorado
Cambria XL Bliss Exterior 0,9 m fabric / 1,8 m ² leather	€ 396	€ 449	€ 484	€ 570	€ 602	€ 609	€ 690	€ 759
Cambria XL Bliss Interior 1,1 m fabric / 2,2 m ² leather	€ 592	€ 674	€ 727	€ 855	€ 903	€ 912	€ 1.036	€ 1.139
Upholstered base 0,8 m fabric / 1,6 m ² leather	€ 450	€ 508	€ 547	€ 561	€ 580	€ 606	€ 664	€ 722
Four-leg or sled	€ 235	€ 235	€ 235	€ 235	€ 235	€ 235	€ 235	€ 235
Swivel	€ 340	€ 340	€ 340	€ 340	€ 340	€ 340	€ 340	€ 340
Wooden base	€ 390	€ 390	€ 390	€ 390	€ 390	€ 390	€ 390	€ 390

The total price of a complete chair is composed of the exterior, interior, and base.

All listed prices are recommended retail prices and include VAT. Free delivery applies to orders from €1,000 net; otherwise, a shipping fee of €85 will be charged.

Fabric group 1: Customer's Own Material / Naua (6) / Sargasso (6) / Bora Bora, (6) / Gomesa, (6) / Isler, (6) / Milton, (6).

Fabric group 2: Tiare (6) / Moana (6) / Krabi (6) / Caldera (6) / Lazio, (6) / Tamil, (6) / Vivid, (1).

Fabric group 3: Oia, (6) / Bagan, (6) / Remix, (2) / Maple, (2) / Osino, (1) / Monza, (1) / Monza Melange, (1) / Manolo, (3) / Alto, (1) / Moss, (1) / Prairie, (1).

Fabric group 4: Hallingdal 65, (2) / Steelcut, (2) / Steelcut trio, (2) / Tonus, (2) / Divina, (2) / Tonica, (2) / Fiord, (2) / Clay, (2) / Umbra, (1) / Serra, (1) / Re-Wool, (2) / Goby, (4) / Moss, (5) / Safire, (5) / Zero, (5).

Fabric group 5: Twinwool, (1) / Ploegwool, (1) / Panama, (1) / Panamaplus, (1).

1 de ploeg: 2 kvadrat 3 aristide 4 ROMO 5 SAHCO 6 QLIV

Shell:

The shell is foam-molded using an injection process and reinforced with a concealed metal structure for added strength and durability. The interior is characterized by a relaxed upholstery finish, while comfort is achieved through high-quality foam in varying densities, covered with Dacron.

Steel base:

Choice of a four-leg base or sled base. Made from rolled steel, cut using laser-cut technology and finished with a dark grey or bronze powder coating. Other RAL colors are available upon request at an additional cost. All chairs are supplied as standard with protective caps and felt glides, suitable for both hard and soft flooring.

Wooden base:

Solid oak, available in the following finishes: Skylt soap-look lacquer, smoked Skylt soap-look lacquer, smoked-look lacquer, ash grey lacquer, stone grey lacquer, white wash lacquer, cedar lacquer, clay brown lacquer, carbon lacquer, and coal black lacquer. Also available in solid American premium walnut upon request; pricing on request.

Swivel base:

Aluminum swivel base, available as standard in matte black or bronze powder coating. All chairs are supplied as standard with rubber caps, suitable for both hard and soft flooring.

Upholstered base:

The base is fully upholstered and consists of a wooden frame covered with high-quality foam.

Cambria bar stool & counter stool

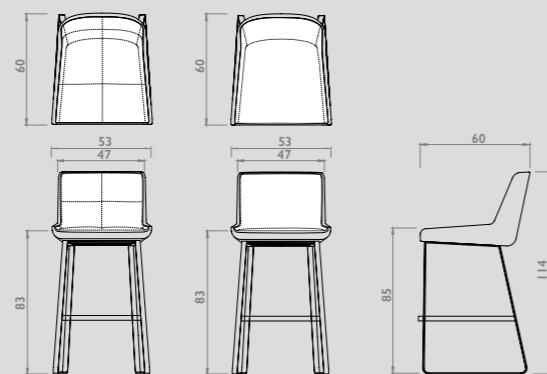
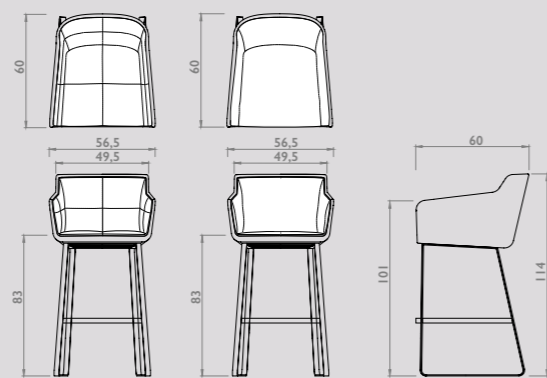
This exceptionally comfortable stool is inspired by the elegant Cambria orchid and is perfectly suited for long, relaxed dining. A luxurious design featuring a slender, refined outer silhouette combined with a soft, inviting interior.

Paired with a powder-coated steel frame, it creates a striking contrast between elegance and bold sophistication. The graceful curves at the base of the shell are achieved through advanced foam-injection techniques. This highly durable method results in a lightweight stool while ensuring the highest level of quality and enhanced ergonomic comfort.

Available in a wide range of colors and materials, the Cambria can be fully tailored to suit your interior. The comfortable inner cushion is removable and can easily be replaced when needed.

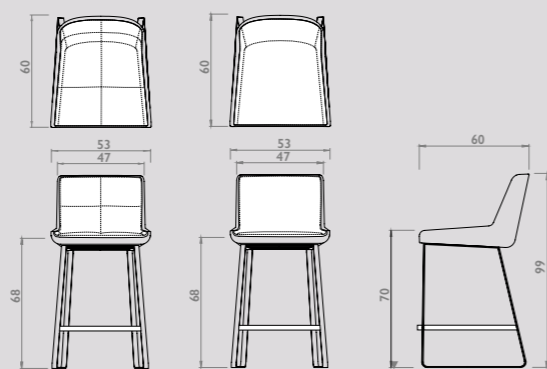
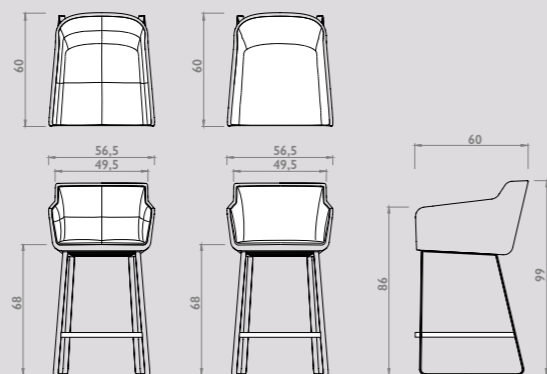
Not only does this stool look beautiful at your kitchen island or bar table, it is also comfortable enough to support you throughout a full day of work.

Cambria bar stool



Stitched cushion Smooth cushion

Cambria counter stool



Stitched cushion Smooth cushion



Cambria bar and counter stool design by Sven Schimmer

Manufactured in the Netherlands

	Fabric group 1	Fabric group 2	Fabric group 3	Fabric group 4	Fabric group 5	Leather Angler/ Madura	Leather Devon/ Wax S.	Leather Colorado
Cambria bar stool with armrests 1,15 m fabric / 2,3 m ² leather	€ 1.073	€ 1.155	€ 1.241	€ 1.335	€ 1.441	€ 1.350	€ 1.374	€ 1.580
Stitched cushion 1,1 m fabric / 2,0 m ² leather	€ 374	€ 402	€ 433	€ 465	€ 503	€ 745	€ 779	€ 892
Smooth cushion 1,0 m fabric / 1,5 m ² leather	€ 307	€ 330	€ 354	€ 381	€ 413	€ 514	€ 560	€ 644
Cambria bar stool with armrests 0,9 m fabric / 1,7 m ² leather	€ 984	€ 1.056	€ 1.135	€ 1.220	€ 1.318	€ 1.251	€ 1.308	€ 1.489
Stitched cushion 0,7 m fabric / 1,5 m ² leather	€ 334	€ 359	€ 386	€ 415	€ 449	€ 707	€ 737	€ 848
Smooth cushion 0,7 m fabric / 1,5 m ² leather	€ 307	€ 330	€ 354	€ 381	€ 413	€ 514	€ 560	€ 644
Cambria kitchen stool with armrests 1,15 m fabric / 2,3 m ² leather	€ 1.073	€ 1.155	€ 1.241	€ 1.335	€ 1.441	€ 1.350	€ 1.374	€ 1.580
Stitched cushion 1,1 m fabric / 2,0 m ² leather	€ 374	€ 402	€ 433	€ 465	€ 503	€ 745	€ 779	€ 892
Smooth cushion 1,0 m fabric / 1,5 m ² leather	€ 307	€ 330	€ 354	€ 381	€ 413	€ 514	€ 560	€ 644
Cambria kitchen stool with armrests 0,9 m fabric / 1,7 m ² leather	€ 984	€ 1.056	€ 1.135	€ 1.220	€ 1.318	€ 1.251	€ 1.308	€ 1.489
Stitched cushion 0,7 m fabric / 1,5 m ² leather	€ 334	€ 359	€ 386	€ 415	€ 449	€ 707	€ 737	€ 848
Smooth cushion 0,7 m fabric / 1,5 m ² leather	€ 307	€ 330	€ 354	€ 381	€ 413	€ 514	€ 560	€ 644

The price of a complete chair consists of the shell and cushion.

All listed prices are recommended retail prices and include VAT. Free delivery applies to orders from €1,000 net; otherwise, a shipping fee of €85 will be charged.

Fabric group 1: Customer's Own Material / Naua (6) / Sargasso (6) / Bora Bora, (6) / Gomesa, (6) / Isler, (6) / Milton, (6).

Fabric group 2: Tiare (6) / Moana (6) / Krabi (6) / Caldera (6) / Lazio, (6) / Tamil, (6) / Vivid, (1).

Fabric group 3: Oia, (6) / Bagan, (6) / Remix, (2) / Maple, (2) / Osino, (1) / Monza, (1) / Monza Melange, (1) / Manolo, (3) / Alto, (1) / Moss, (1) / Prairie, (1).

Fabric group 4: Hallingdal 65, (2) / Steelcut, (2) / Steelcut trio, (2) / Tonus, (2) / Divina, (2) / Tonica, (2) / Fiord, (2) / Clay, (2) / Umbra, (1) / Serra, (1) / Re-Wool, (2) / Goby, (4) / Moss, (5) / Safire, (5) / Zero, (5).

Fabric group 5: Twinwool, (1) / Ploegwool, (1) / Panama, (1) / Panamaplus, (1).

1 deploeg 2 kvadrat 3 aristide 4 ROMO 5 SAHCO 6 QLIV

Shell:

The shell is foam-molded using an injection process and reinforced with a concealed metal structure for added strength and durability.

Sled Base:

Rolled steel, cut using laser-cut technology and finished with a dark grey or bronze powder coating. Other RAL colors are available upon request at an additional cost. All chairs are supplied as standard with protective caps and felt glides, suitable for both hard and soft flooring.

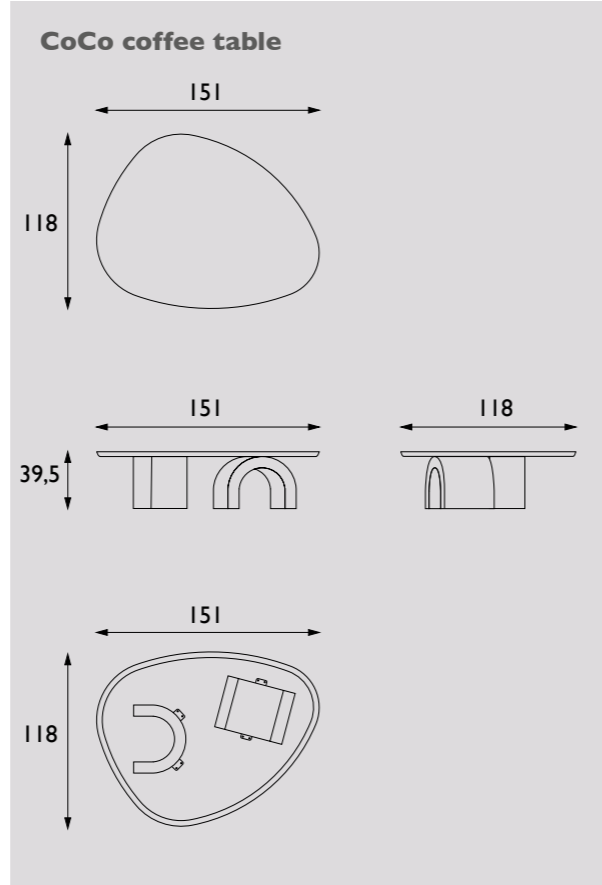
CoCo coffee table

The CoCo coffee table is an innovative design by Carolina Wilcke. Her work is characterized by purity and clarity, with a strong focus on achieving perfect aesthetic proportions.

CoCo is a highly refined statement piece and a tribute to traditional craftsmanship. The seemingly simple geometric forms that make up the base are a remarkable display of skilled woodwork, giving the table its unique identity. More than just a table, CoCo is a spatial sculpture—offering a new and inviting composition from every angle.

The design is bold yet elegant, refined yet unexpected—qualities that make designer Wilcke and QLIV a perfect match.

CoCo is available in oak, beech, and American walnut. The tabletop is also available in travertine, a beautiful natural material offered in a range of subtle, natural tones.



CoCo table design by Carolina Wilcke

Manufactured in the Netherlands

Version	Price
Completely in walnut	€ 6.827
Walnut base with Travertine top	€ 7.112
Completely in oak	€ 5.507
Oak base with Travertine top	€ 6.119

All listed prices are recommended retail prices and include VAT. Free delivery applies to orders from €1,000 net; otherwise, a shipping fee of €85 will be charged.

Version A: Naturel oiled oak

Version B: Oak finished with **SkyIt soap look** lacquer, **smoked SkyIt soap look** lacquer, **smoked look** lacquer, **ash grey** lacquer, **stone grey** lacquer, **white wash** lacquer, **cedar** lacquer, **clay brown** lacquer, **carbon** lacquer and **coal black** lacquer.

Version C: American premium walnut, oiled or lacquered

Table and Finishes:

Crafted from solid French oak or solid American walnut, both of premium quality and responsibly sourced. Natural versions are finished with linseed oil or a matte transparent lacquer. Stained and lacquered oak finishes are first treated with the desired stain color and then sealed with a matte transparent lacquer. Optionally, oak can also be smoked upon request. This is a natural process using ammonia, which darkens the wood. Due to the natural tannin content, color variations between planks may occur; this is inherent to the material and not grounds for claims. As an alternative, a smoked look finish is available. This replicates the appearance of smoked oak while providing a more even color distribution across the surface.

Travertine:

Solid natural travertine stone with an untreated, open-pore structure. Color variations are inherent to this material and should be considered a natural characteristic.

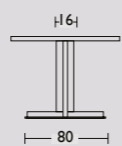
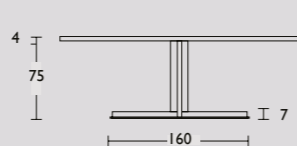
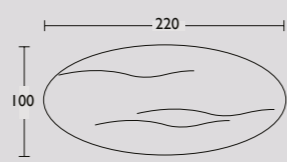
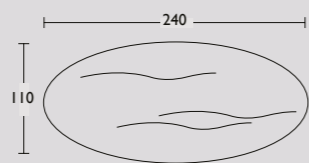
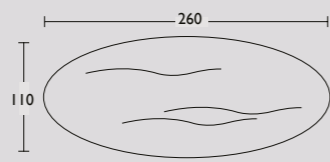
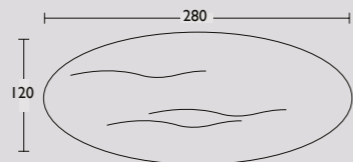
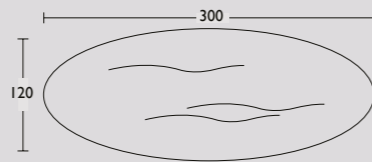
For maintenance, clean weekly with an acid-free product. In case of spills, clean immediately with water and avoid leaving substances on the surface.

Cross table

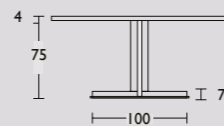
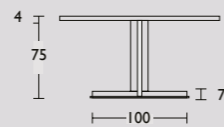
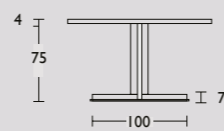
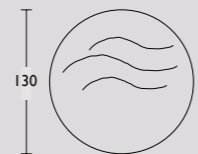
Architectural and elegant—the Cross table marks the first design for QLIV by Dutch designer Carolina Wilcke. Inspired by Art Deco architecture, such as the iconic Empire State Building in New York, the table reflects both refinement and strength. Its distinctive cross-shaped base, from which the design takes its name, echoes the graceful yet robust character of this architectural style. The centrally positioned base, crafted from black steel, allows for effortless seating all around—ensuring that the leg never gets in the way. Cross is available with a rectangular or oval tabletop in European oak.

Carolina Wilcke: “The Art Deco movement combined modernist forms with rich materials—just like the Cross table.”

Cross table oval



Cross table round



Cross table design by Carolina Wilcke

Manufactured in the Netherlands

Approx. dimensions in cm

Version A

Version B

Version C

220 x 100 x 75cm	Oval	€ 4.453	€ 4.556	€ 5.888
240 x 110 x 75cm	Oval	€ 4.645	€ 4.736	€ 6.172
260 x 110 x 75cm	Oval	€ 4.883	€ 4.976	€ 6.507
280 x 120 x 75cm	Oval	€ 5.181	€ 5.271	€ 6.931
300 x 120 x 75cm	Oval	€ 5.408	€ 5.500	€ 7.291
130 Ø x 75cm	Round	€ 4.200	€ 4.390	€ 5.587
145 Ø x 75cm	Round	€ 4.513	€ 4.679	€ 5.825
160 Ø x 75cm	Round	€ 4.848	€ 5.037	€ 6.064

All listed prices are recommended retail prices and include VAT. Free delivery applies to orders from €1,000 net; otherwise, a shipping fee of €85 will be charged.

Version A: Naturel oiled oak

Version B: Oak finished with **Skylt soap look** lacquer, **smoked Skylt soap look** lacquer, **smoked look** lacquer, **ash grey** lacquer, **stone grey** lacquer, **white wash** lacquer, **cedar** lacquer, **clay brown** lacquer, **carbon** lacquer and **coal black** lacquer.

Version C: American premium walnut, oiled or lacquered

Tabletop and Finishes:

Crafted from solid French oak or solid American walnut, both of premium quality and responsibly sourced. Natural versions are finished with linseed oil or a matte transparent lacquer. Stained and lacquered oak finishes are first treated with the desired stain color and then sealed with a matte transparent lacquer. Optionally, oak can also be smoked upon request. This is a natural process using ammonia, which darkens the wood. Due to the natural tannin content, color variations between planks may occur; this is inherent to the material and not grounds for claims. As an alternative, a smoked look finish is available. This replicates the appearance of smoked oak while offering a more even color distribution across the surface.

Brushed finish:

Brushing the table is available at a 10% surcharge. Knots are filled with a two-component resin. This process enhances the natural grain pattern of the wood. Lead time is approximately 8–10 weeks.

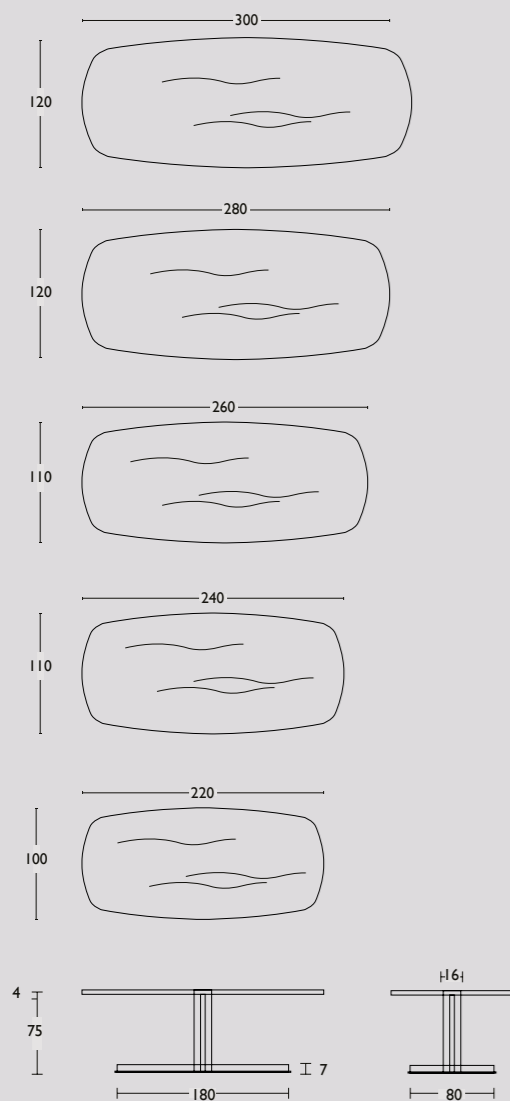
Base:

Rolled steel, cut using laser-cut technology and finished as standard with a black powder coating (RAL 9005), including black leather detailing. Other RAL colors are available upon request at an additional cost.

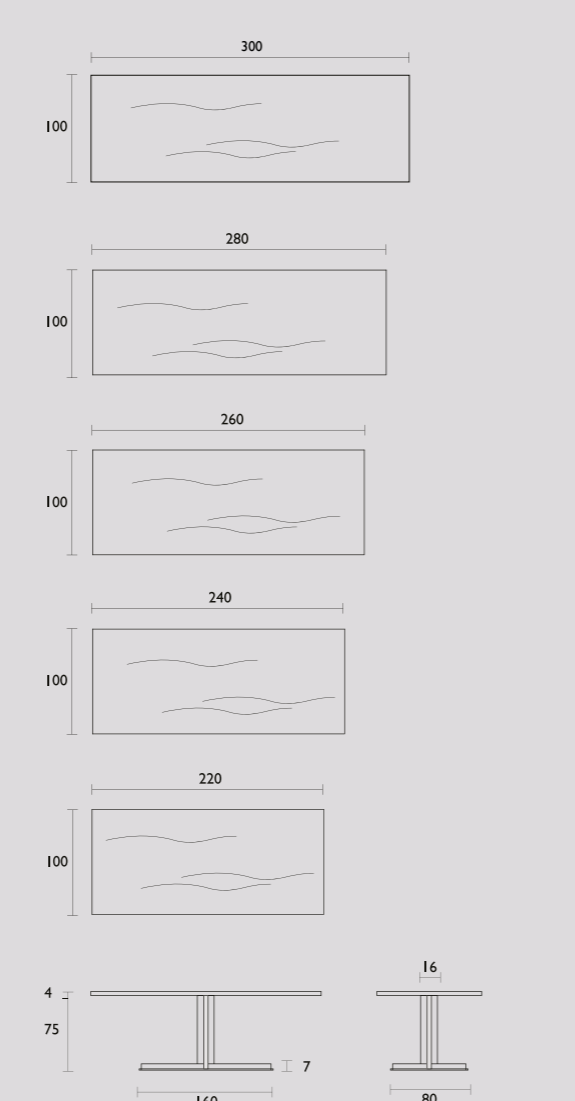
Customization:

Custom dimensions are available upon request. Pricing is based on the next larger standard size plus a 10% surcharge. Example: Desired size 260 x 90 x 75 cm (rectangular) > use the price of 260 x 100 x 75 cm plus a 10% surcharge. Alternative colors and wood types are available upon request. Please contact us for more information.

Cross table Danish oval



Cross table rectangular



Cross table design by Carolina Wilcke

Manufactured in the Netherlands

Approx. dimensions in cm		Version A	Version B	Version C
220 x 100 x 75cm	Rectangular	€ 4.117	€ 4.207	€ 5.327
240 x 100 x 75cm	Rectangular	€ 4.301	€ 4.391	€ 5.590
260 x 100 x 75cm	Rectangular	€ 4.434	€ 4.528	€ 5.793
280 x 100 x 75cm	Rectangular	€ 4.571	€ 4.666	€ 5.994
300 x 100 x 75 cm	Rectangular	€ 4.802	€ 4.893	€ 6.339
220 x 100 x 75cm	Danish Oval	€ 4.529	€ 4.622	€ 5.964
240 x 110 x 75cm	Danish Oval	€ 4.716	€ 4.806	€ 6.248
260 x 110 x 75cm	Danish Oval	€ 4.957	€ 5.049	€ 6.587
280 x 120 x 75cm	Danish Oval	€ 5.258	€ 5.350	€ 7.015
300 x 120 x 75cm	Danish Oval	€ 5.489	€ 5.582	€ 7.383

All listed prices are recommended retail prices and include VAT. Free delivery applies to orders from €1,000 net; otherwise, a shipping fee of €85 will be charged.

Version A: Naturel oiled oak

Version B: Oak finished with **Skylt soap look** lacquer, **smoked Skylt soap look** lacquer, **smoked look** lacquer, **ash grey** lacquer, **stone grey** lacquer, **white wash** lacquer, **cedar** lacquer, **clay brown** lacquer, **carbon** lacquer and **coal black** lacquer.

Version C: American premium walnut, oiled or lacquered

Tabletop and finishes:

Crafted from solid French oak or solid American walnut, both of premium quality and responsibly sourced. Natural versions are finished with linseed oil or a matte transparent lacquer. Stained and lacquered oak finishes are first treated with the desired stain color and then sealed with a matte transparent lacquer. Optionally, oak can also be smoked upon request. This is a natural process using ammonia, which darkens the wood. Due to the natural tannin content, color variations between planks may occur; this is inherent to the material and not grounds for claims. As an alternative, a smoked look finish is available. This replicates the appearance of smoked oak while offering a more even color distribution across the surface.

Brushed finish:

Brushing the table is available at a 10% surcharge. Knots are filled with a two-component resin. This process enhances the natural grain pattern of the wood. Lead time is approximately 8–10 weeks.

Base:

Rolled steel, cut using laser-cut technology and finished as standard with a black powder coating (RAL 9005), including black leather detailing. Other RAL colors are available upon request at an additional cost.

Customization:

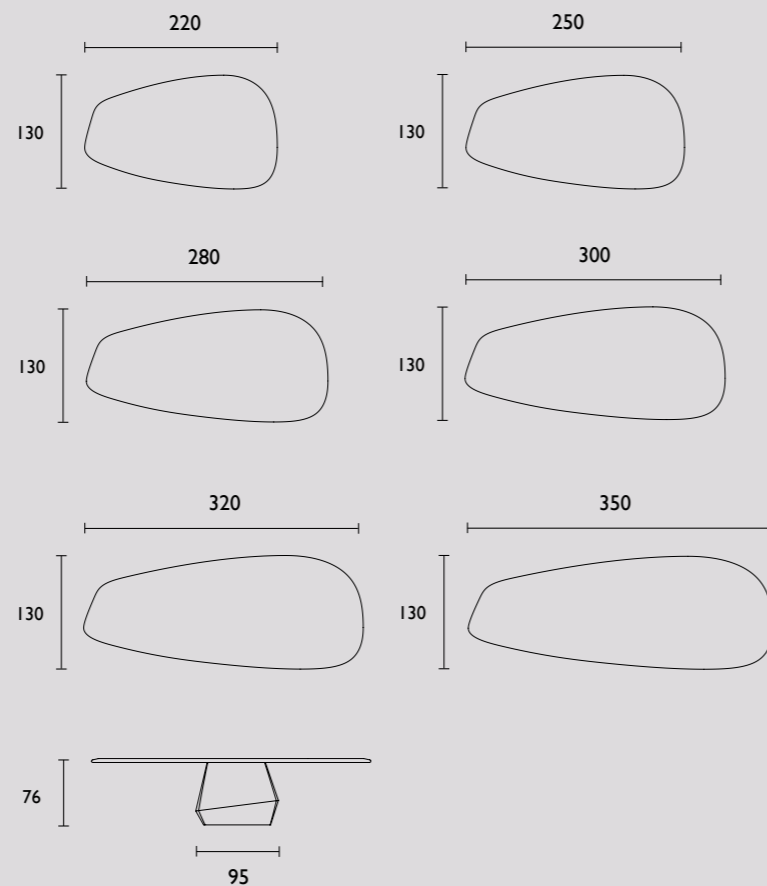
Custom dimensions are available upon request. Pricing is based on the next larger standard size plus a 10% surcharge. Example: Desired size 260 x 90 x 75 cm (rectangular) > use the price of 260 x 100 x 75 cm plus a 10% surcharge. Alternative colors and wood types are available upon request. Please contact us for more information.

Fasset

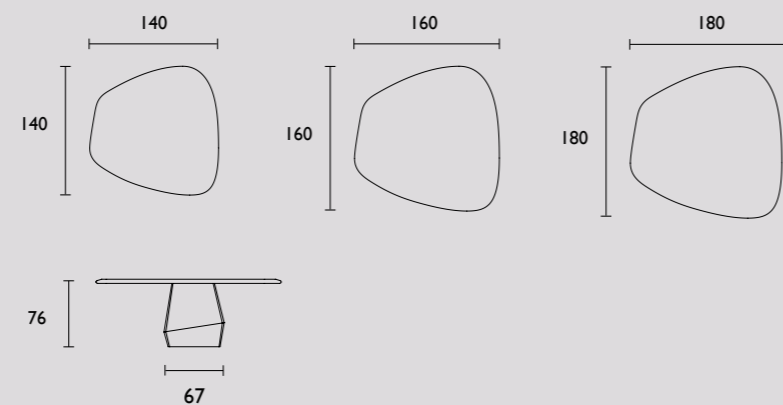
Interior designer Remy Meijers presents Fasset, a new dining table developed in collaboration with design label QLIV. With its faceted base and organic silhouette, Fasset blurs the line between furniture and object.

This marks the first collaboration between Meijers and QLIV. The name Fasset refers to the table's construction: a composition of sculptural planes reminiscent of a cut diamond. Each facet captures light and perspective, allowing the table's appearance to shift depending on the viewing angle. Much like in fashion—where lines, folds, and cuts create three-dimensional form—Fasset is a play of surfaces and volumes: clean and sculptural, yet warm and inviting.

Fasset - organic rectangular



Fasset - organic round



Fasset table design by Remy Meijers

Manufactured in the Netherlands

Approx. dimensions in cm	Version A	Version B	Version C
230 x 130 x 76 cm	n/a	€ 9.724	€ 11.871
250 x 130 x 76 cm	n/a	€ 10.479	€ 12.012
280 x 130 x 76 cm	n/a	€ 11.388	€ 13.494
300 x 130 x 76 cm	n/a	€ 12.324	€ 14.541
320 x 130 x 76 cm	n/a	€ 12.702	€ 14.988
350 x 130 x 76 cm	n/a	€ 13.161	€ 15.531
140 x 140 x 76 cm	n/a	€ 9.432	€ 11.130
160 x 160 x 76 cm	n/a	€ 10.458	€ 12.339
180 x 180 x 76 cm	n/a	€ 11.811	€ 13.938

All listed prices are recommended retail prices and include VAT. Free delivery applies to orders from €1.000 net; otherwise, a shipping fee of €85 will be charged.

Version A: n/a

Version B: Oak finished with **Skylt soap look** lacquer, **smoked Skylt soap look** lacquer, **smoked look** lacquer, **ash grey** lacquer, **stone grey** lacquer, **white wash** lacquer, **cedar** lacquer, **clay brown** lacquer, **carbon** lacquer and **coal black** lacquer.

Version C: American premium walnut lacquered

Tabletop and Finishes:

Crafted from solid French oak or solid American walnut, both of premium quality and responsibly sourced. Natural versions are finished with linseed oil or a matte transparent lacquer. Stained and lacquered oak finishes are first treated with the desired stain color and then sealed with a matte transparent lacquer. Optionally, oak can also be smoked upon request. This is a natural process using ammonia, which darkens the wood. Due to the natural tannin content, color variations between planks may occur; this is inherent to the material and not grounds for claims. As an alternative, a smoked look finish is available. This replicates the appearance of smoked oak, resulting in a more even color distribution across the tabletop.

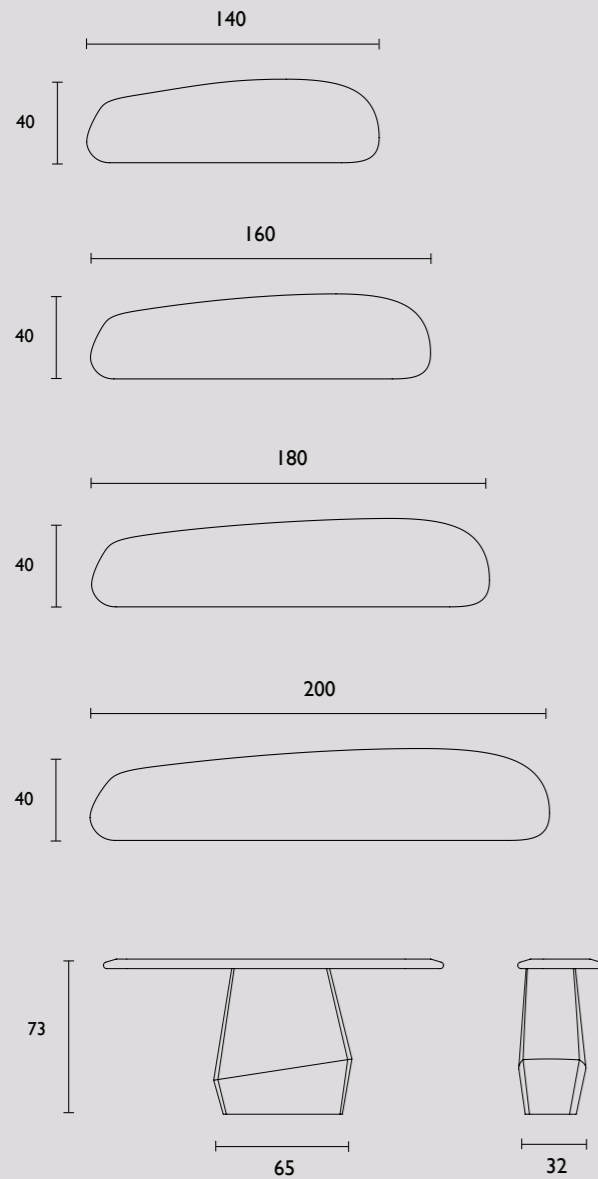
Brushed finish:

Brushing the table is available at a 10% surcharge. Knots are filled with a two-component resin. This process enhances the natural grain pattern of the wood. Lead time for brushing is approximately 8–10 weeks.

Customization:

Custom dimensions are available upon request. Pricing is based on the next larger standard size plus a 10% surcharge. Example: Desired size 230 x 100 cm > use the price of 240 x 100 cm plus a 10% surcharge. Alternative colors and wood types are available upon request at an additional cost. Please contact us for more information.

Fasset console



Fasset console

Interior designer Remy Meijers presents Fasset, a new console developed in collaboration with design label QLIV. With its faceted base and organic silhouette, Fasset blurs the line between furniture and object.

This marks the first collaboration between Meijers and QLIV. The name Fasset refers to the piece's construction: a composition of sculptural planes reminiscent of a cut diamond. Each facet captures light and perspective, allowing the console's appearance to shift depending on the viewing angle. Much like in fashion—where lines, folds, and cuts create three-dimensional form—Fasset is a play of surfaces and volumes: clean and sculptural, yet warm and inviting.



Fasset console design by Remy Meijers

Manufactured in the Netherlands

Approx. dimensions in cm	Version A	Version B	Version C
140 x 40 x 73 cm	n/a	€ 5.586	€ 5.986
160 x 40 x 73 cm	n/a	€ 5.673	€ 6.129
180 x 40 x 73 cm	n/a	€ 5.775	€ 6.231
200 x 40 x 73 cm	n/a	€ 5.919	€ 6.375

All listed prices are recommended retail prices and include VAT. Free delivery applies to orders from €1.000 net; otherwise, a shipping fee of €85 will be charged.

Version A: n/a

Version B: Oak finished with **SkyIt soap look** lacquer, **smoked SkyIt soap look** lacquer, **smoked look** lacquer, **ash grey** lacquer, **stone grey** lacquer, **white wash** lacquer, **cedar** lacquer, **clay brown** lacquer, **carbon** lacquer and **coal black** lacquer.

Version C: American premium walnut lacquered

Top and finishes:

Crafted from solid French oak or solid American walnut, both of premium quality and responsibly sourced. Natural versions are finished with linseed oil or a matte transparent lacquer. Stained and lacquered oak finishes are first treated with the desired stain color and then sealed with a matte transparent lacquer. Optionally, oak can also be smoked upon request. This is a natural process using ammonia, which darkens the wood. Due to the natural tannin content, color variations between planks may occur; this is inherent to the material and not grounds for claims. As an alternative, a smoked look finish is available. This replicates the appearance of smoked oak, resulting in a more even color distribution across the surface.

Brushed finish:

Brushing the piece is available at a 10% surcharge. Knots are filled with a two-component resin. This process enhances the natural grain pattern of the wood. Lead time is approximately 8–10 weeks.

Customization:

Custom dimensions, colors, and wood types are available upon request at an additional cost. Please contact us for more information. The top can also be supplied as a single piece instead of the standard two-part construction at no additional cost.

Flared modular sofa



Flared modular sofa

QLIV introduces Flared, a comfortable and contemporary sofa with a luxurious appearance, designed to be fully customizable and capable of creating the most distinctive, non-conventional configurations.

The sofa is composed of individual elements in various sizes and shapes, which can be combined into a seamless whole in any desired layout. Whether you prefer a straight sofa, a corner arrangement, or a spacious U-shaped configuration—Flared offers endless possibilities. With a choice of no fewer than 62 elements, you can create a composition tailored to any space, from a compact loft to a generous villa.

All listed prices are recommended retail prices and include VAT. Free delivery applies to orders from €1.000 net; otherwise, a shipping fee of €85 will be charged.

Fabric group 1: Customer's Own Material / Naua (6) / Sargasso (6) / Bora Bora, (6) / Gomesa, (6) / Isler, (6) / Milton, (6).

Fabric group 2: Tiare (6) / Moana (6) / Krabi (6) / Caldera (6) / Lazio, (6) / Tamil, (6) / Vivid, (1).

Fabric group 3: Oia, (6) / Bagan, (6) / Remix, (2) / Maple, (2) / Osino, (1) / Monza, (1) / Monza Melange, (1) / Manolo, (3) / Alto, (1) / Moss, (1) / Prairie, (1).

Fabric group 4: Hallingdal 65, (2) / Steelcut, (2) / Steelcut trio, (2) / Tonus, (2) / Divina, (2) / Tonica, (2) / Fiord, (2) / Clay, (2) / Umbra, (1) / Serra, (1) / Re-Wool, (2) / Goby, (4) / Moss, (5) / Safire, (5) / Zero, (5).

Fabric group 5: Twinwool, (1) / Ploegwool, (1) / Panama, (1) / Panamaplus, (1).

1 depløeg 2 kvadrat 3 aristide 4 ROMO 5 SAHCO 6 QLIV

Frame: Beechwood frame with Nosag spring suspension and high-quality cold foam in varying densities, ensuring optimal support and comfort.

Connection system: The individual elements can be connected in any desired configuration and are also suitable for freestanding placement.

Base: Standard floating plinth base. Optionally available with steel legs upon request.

Back cushions: Filled with a blend of latex sticks and Comfoel.

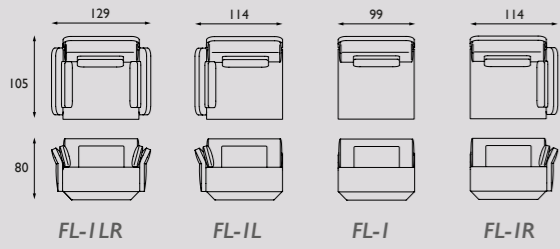
Upholstery: Fixed upholstery, available in all fabrics and leathers listed in our price list. COM and COL available upon request. Combining different fabrics within one configuration is possible upon request.

Optional (upon request):

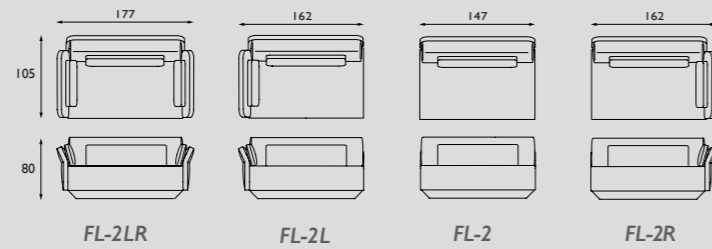
- Higher lumbar cushion for additional back support, surcharge 5%
- Metal legs in black or anodic brown, available in heights of 13.5 / 15.5 / 17.5 cm, surcharge 5% (standard plinth height is 13.5 cm)
- Increased wooden leg height of 4 cm instead of the standard 2 cm, no surcharge

Creasing is inherent to the design and chosen level of comfort and is not considered grounds for claims.

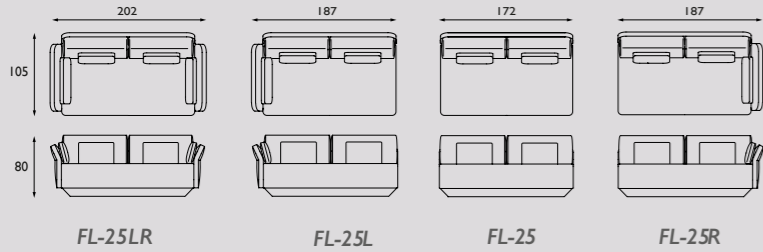
1-seaters



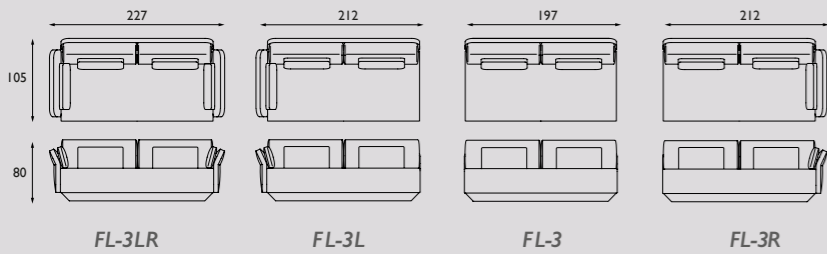
2-seaters



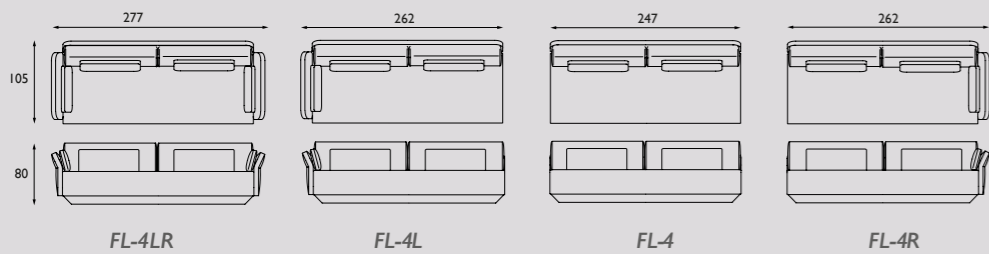
2,5-seaters



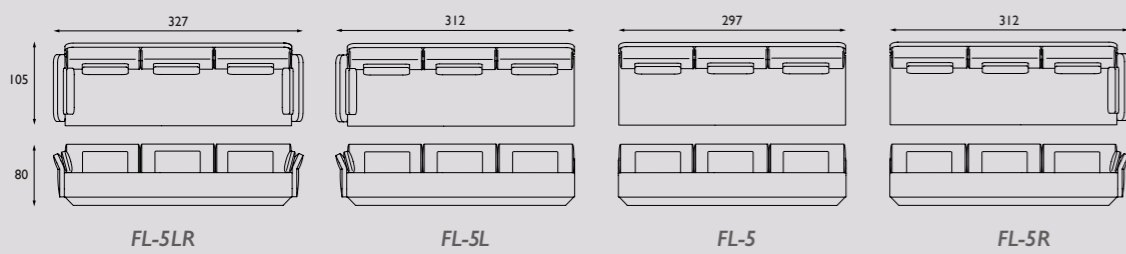
3-seaters



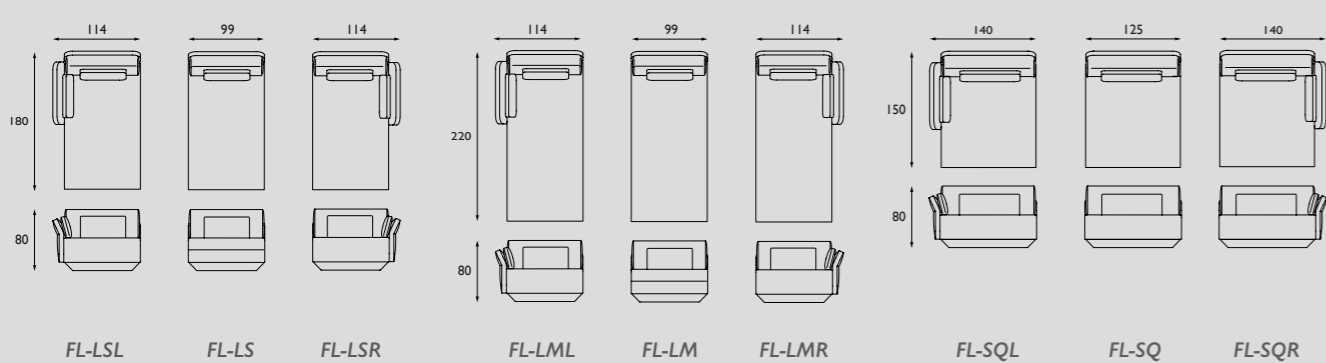
4-seaters



5-seaters



Longchairs

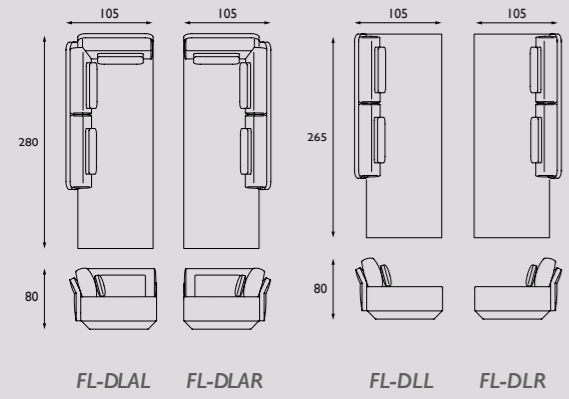
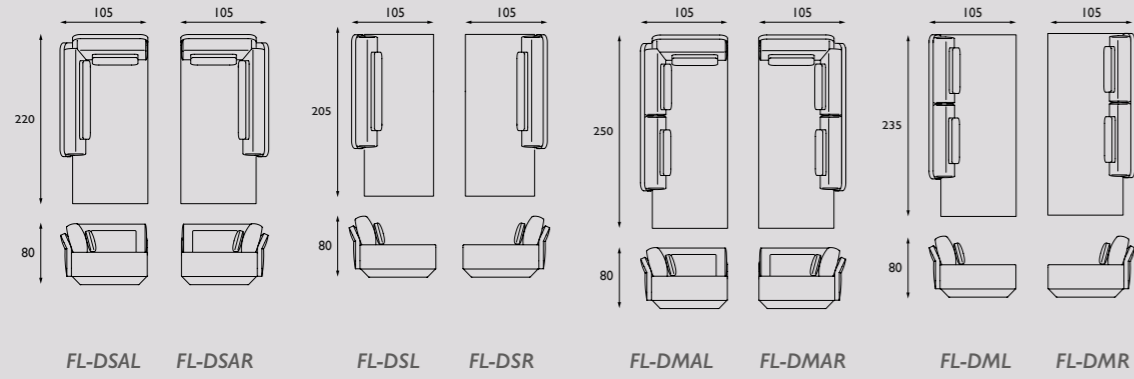


Flared modular sofa design by Sven+Jon

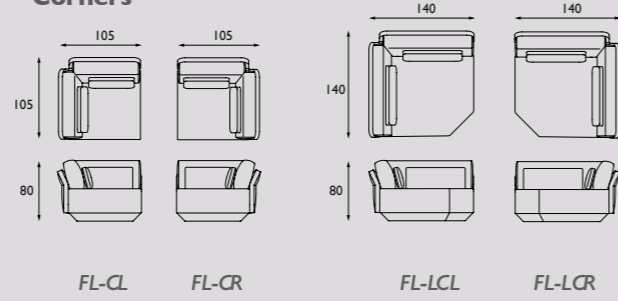
Manufactured in the Netherlands

		Fabric group 1	Fabric group 2	Fabric group 3	Fabric group 4	Fabric group 5	Leather Angler/ Madura	Leather Devon/ Wax S.	Leather Colorado
FL-1	1-seater	€ 2.219	€ 2.438	€ 2.896	€ 3.220	€ 3.375	€ 3.728	€ 4.248	€ 4.793
FL-1L	1-seater/arm L	€ 2.704	€ 3.108	€ 3.667	€ 4.121	€ 4.353	€ 4.787	€ 5.518	€ 6.282
FL-1R	1-seater/arm R	€ 2.704	€ 3.108	€ 3.667	€ 4.121	€ 4.353	€ 4.787	€ 5.518	€ 6.282
FL-1LR	1-seater/arm L+R	€ 3.188	€ 3.700	€ 4.436	€ 5.022	€ 5.329	€ 5.846	€ 6.787	€ 7.768
FL-2	2-seater	€ 3.088	€ 3.651	€ 4.528	€ 5.195	€ 5.561	€ 6.005	€ 7.055	€ 8.151
FL-2L	2-seater/arm L	€ 3.566	€ 4.225	€ 5.255	€ 6.040	€ 6.470	€ 6.983	€ 8.215	€ 9.504
FL-2R	2-seater/arm R	€ 3.566	€ 4.225	€ 5.255	€ 6.040	€ 6.470	€ 6.983	€ 8.215	€ 9.504
FL-2LR	2-seater/arm L+R	€ 4.041	€ 4.796	€ 5.983	€ 6.883	€ 7.380	€ 7.960	€ 9.375	€ 10.856
FL-25	2,5-seater	€ 3.274	€ 3.854	€ 4.740	€ 5.422	€ 5.794	€ 6.330	€ 7.427	€ 8.572
FL-25L	2,5-seater/arm L	€ 3.751	€ 4.427	€ 5.468	€ 6.266	€ 6.703	€ 7.242	€ 8.498	€ 9.810
FL-25R	2,5-seater/arm R	€ 3.751	€ 4.427	€ 5.468	€ 6.266	€ 6.703	€ 7.242	€ 8.498	€ 9.810
FL-25LR	2,5-seater/arm L+R	€ 4.227	€ 4.998	€ 6.196	€ 7.111	€ 7.613	€ 8.219	€ 9.658	€ 11.162
FL-3	3-seater	€ 3.460	€ 4.056	€ 4.952	€ 5.649	€ 6.025	€ 6.656	€ 7.798	€ 8.992
FL-3L	3-seater/arm L	€ 3.934	€ 4.626	€ 5.681	€ 6.493	€ 6.934	€ 7.500	€ 8.779	€ 10.116
FL-3R	3-seater/arm R	€ 3.934	€ 4.626	€ 5.681	€ 6.493	€ 6.934	€ 7.500	€ 8.779	€ 10.116
FL-3LR	3-seater/arm L+R	€ 4.412	€ 5.198	€ 6.409	€ 7.338	€ 7.845	€ 8.478	€ 9.939	€ 11.467
FL-4	4-seater	€ 3.854	€ 4.485	€ 5.402	€ 6.129	€ 6.511	€ 7.204	€ 8.392	€ 9.632
FL-4L	4-seater/arm L	€ 4.331	€ 5.056	€ 6.130	€ 6.972	€ 7.420	€ 8.182	€ 9.552	€ 10.983
FL-4R	4-seater/arm R	€ 4.331	€ 5.056	€ 6.130	€ 6.972	€ 7.420	€ 8.182	€ 9.552	€ 10.983
FL-4LR	4-seater/arm L+R	€ 4.806	€ 5.627	€ 6.858	€ 7.816	€ 8.330	€ 9.159	€ 10.712	€ 12.332
FL-5	5-seater	€ 4.397	€ 5.226	€ 6.529	€ 7.517	€ 8.064	€ 8.827	€ 10.427	€ 12.095
FL-5L	5-seater/arm L	€ 4.874	€ 5.797	€ 7.257	€ 8.361	€ 8.973	€ 9.939	€ 11.766	€ 13.675
FL-5R	5-seater/arm R	€ 4.874	€ 5.797	€ 7.257	€ 8.361	€ 8.973	€ 9.939	€ 11.766	€ 13.675
FL-5LR	5-seater/arm L+R	€ 5.349	€ 6.371	€ 7.986	€ 9.204	€ 9.883	€ 10.782	€ 12.746	€ 14.799
FL-LS	Longchair S	€ 3.194	€ 3.599	€ 4.094	€ 4.530	€ 4.729	€ 5.201	€ 5.886	€ 6.601
FL-LSL	Longchair S/arm L	€ 3.633	€ 4.095	€ 4.652	€ 5.145	€ 5.373	€ 5.907	€ 6.684	€ 7.497
FL-LSR	Longchair S/arm R	€ 3.633	€ 4.095	€ 4.652	€ 5.145	€ 5.373	€ 5.907	€ 6.684	€ 7.497
FL-LM	Longchair M	€ 3.535	€ 3.997	€ 4.573	€ 5.072	€ 5.304	€ 5.798	€ 6.574	€ 7.387
FL-LML	Longchair M/arm L	€ 3.968	€ 4.475	€ 5.096	€ 5.643	€ 5.893	€ 6.507	€ 7.375	€ 8.282
FL-LMR	Longchair M/arm R	€ 3.968	€ 4.475	€ 5.096	€ 5.643	€ 5.893	€ 6.507	€ 7.375	€ 8.282
FL-SQ	Longchair square	€ 3.179	€ 3.571	€ 4.033	€ 4.449	€ 4.636	€ 5.067	€ 5.707	€ 6.374
FL-SQL	Longchair square/Arm L	€ 3.667	€ 4.164	€ 4.804	€ 5.350	€ 5.611	€ 5.773	€ 6.504	€ 7.268
FL-SQR	Longchair square/Arm R	€ 3.667	€ 4.164	€ 4.804	€ 5.350	€ 5.611	€ 5.773	€ 6.504	€ 7.268

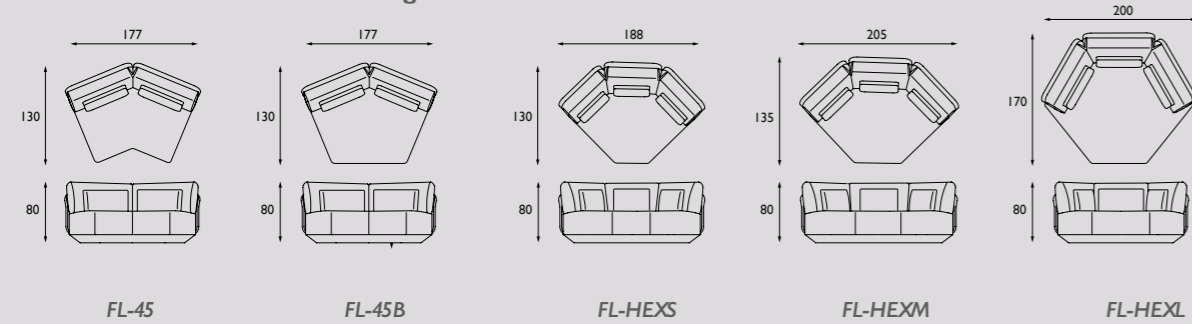
Dormeuses



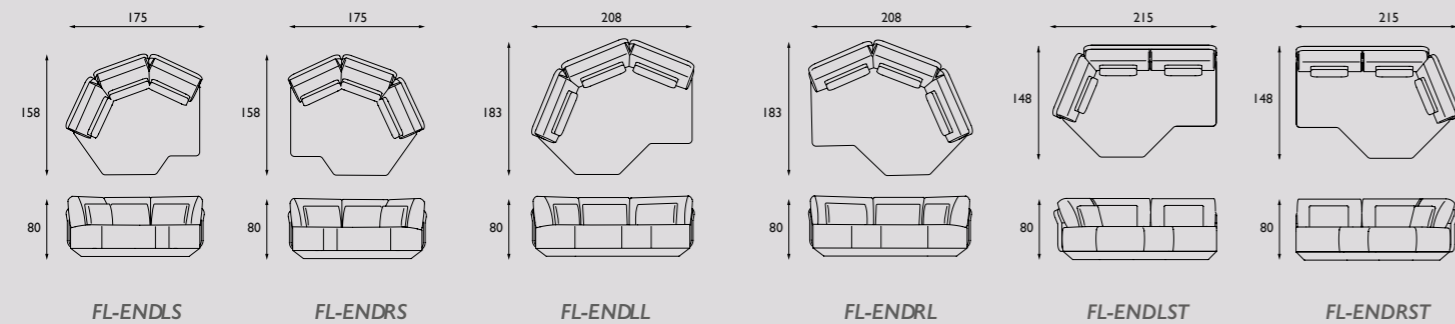
Corners



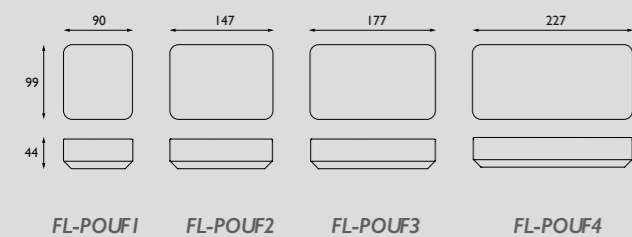
Corners 45° en Corners Hexagon



End elements



Poufs



Flared modular sofa design by by Sven+Jon
Manufactured in the Netherlands

		Fabric group 1	Fabric group 2	Fabric group 3	Fabric group 4	Fabric group 5	Leather Angler/ Madura	Leather Devon/ Wax S.	Leather Colorado
FL-DSL	Dormeuse S/ L	€ 3.359	€ 3.845	€ 4.495	€ 5.036	€ 5.304	€ 5.917	€ 6.806	€ 7.737
FL-DSR	Dormeuse S/ R	€ 3.359	€ 3.845	€ 4.495	€ 5.036	€ 5.304	€ 5.917	€ 6.806	€ 7.737
FL-DSAL	Dormeuse S/Arm L	€ 3.850	€ 4.447	€ 5.291	€ 5.971	€ 6.320	€ 6.693	€ 7.698	€ 8.745
FL-DSAR	Dormeuse S/Arm R	€ 3.850	€ 4.447	€ 5.291	€ 5.971	€ 6.320	€ 6.693	€ 7.698	€ 8.745
FL-DML	Dormeuse M/ L	€ 3.719	€ 4.222	€ 4.870	€ 5.421	€ 5.687	€ 6.233	€ 7.101	€ 8.008
FL-DMR	Dormeuse M/ R	€ 3.719	€ 4.222	€ 4.870	€ 5.421	€ 5.687	€ 6.233	€ 7.101	€ 8.008
FL-DMAL	Dormeuse M/Arm L	€ 4.233	€ 4.873	€ 5.768	€ 6.493	€ 6.862	€ 7.345	€ 8.441	€ 9.585
FL-DMAR	Dormeuse M/Arm R	€ 4.233	€ 4.873	€ 5.768	€ 6.493	€ 6.862	€ 7.345	€ 8.441	€ 9.585
FL-DLL	Dormeuse L / L	€ 4.514	€ 5.194	€ 6.145	€ 6.920	€ 7.311	€ 8.157	€ 9.436	€ 10.773
FL-DLR	Dormeuse L / R	€ 4.514	€ 5.194	€ 6.145	€ 6.920	€ 7.311	€ 8.157	€ 9.436	€ 10.773
FL-DLAL	Dormeuse L/Arm L	€ 4.952	€ 5.690	€ 6.705	€ 7.535	€ 7.954	€ 8.867	€ 10.238	€ 11.669
FL-DLAR	Dormeuse L/Arm R	€ 4.952	€ 5.690	€ 6.705	€ 7.535	€ 7.954	€ 8.867	€ 10.238	€ 11.669
FL-CL	Corner/L	€ 3.128	€ 3.628	€ 4.345	€ 4.916	€ 5.216	€ 5.710	€ 6.623	€ 7.579
FL-CR	Corner/R	€ 3.128	€ 3.628	€ 4.345	€ 4.916	€ 5.216	€ 5.710	€ 6.623	€ 7.579
FL-LCL	Corner Large/L	€ 4.062	€ 4.576	€ 5.389	€ 6.423	€ 6.875	€ 7.619	€ 8.992	€ 10.366
FL-LCR	Corner Large/R	€ 4.062	€ 4.576	€ 5.389	€ 6.423	€ 6.875	€ 7.619	€ 8.992	€ 10.366
FL-45	Corner 45 degrees	€ 3.816	€ 4.270	€ 4.715	€ 5.378	€ 5.826	€ 6.865	€ 8.040	€ 9.214
FL-45B	Corner 45 degrees B	€ 4.381	€ 4.850	€ 5.216	€ 5.838	€ 6.249	€ 7.390	€ 8.538	€ 9.684
FL-HEXS	Corner Hexagon Small	€ 4.255	€ 4.831	€ 5.506	€ 6.483	€ 6.823	€ 7.534	€ 9.005	€ 10.476
FL-HEXM	Corner Hexagon Medium	€ 4.479	€ 5.064	€ 5.716	€ 6.628	€ 7.016	€ 7.599	€ 9.131	€ 10.494
FL-HEXL	Corner Hexagon Large	€ 4.674	€ 5.246	€ 5.829	€ 6.740	€ 7.131	€ 7.732	€ 9.135	€ 10.539
FL-ENDLS	End element Small/L	€ 4.606	€ 5.241	€ 5.998	€ 7.023	€ 7.530	€ 8.241	€ 9.871	€ 10.956
FL-ENDRS	End element Small/R	€ 4.606	€ 5.241	€ 5.998	€ 7.023	€ 7.530	€ 8.241	€ 9.871	€ 10.956
FL-ENDLL	End element Large/L	€ 4.878	€ 5.561	€ 6.460	€ 7.215	€ 7.583	€ 8.702	€ 10.028	€ 11.412
FL-ENDRL	End element Large/R	€ 4.878	€ 5.561	€ 6.460	€ 7.215	€ 7.583	€ 8.702	€ 10.028	€ 11.412
FL-ENDLST	End element Straight/L	€ 4.608	€ 5.291	€ 6.190	€ 6.945	€ 7.313	€ 8.282	€ 9.608	€ 10.992
FL-ENDRST	End element Straight/R	€ 4.608	€ 5.291	€ 6.190	€ 6.945	€ 7.313	€ 8.282	€ 9.608	€ 10.992
FL-POUF1	Pouf 99x90	€ 1.493	€ 1.661	€ 1.846	€ 2.020	€ 2.095	€ 2.180	€ 2.409	€ 2.649
FL-POUF2	Pouf 99x147	€ 1.707	€ 1.902	€ 2.072	€ 2.344	€ 2.644	€ 2.653	€ 3.030	€ 3.407
FL-POUF3	Pouf 99x177	€ 1.889	€ 2.097	€ 2.269	€ 2.550	€ 2.864	€ 2.878	€ 3.272	€ 3.665
FL-POUF4	Pouf 99x227	€ 2.072	€ 2.293	€ 2.464	€ 2.758	€ 3.086	€ 3.120	€ 3.534	€ 3.949



Folda modular sofa

Folda modular sofa

“Sink in. Slow down. Stay a while.”

The modular Folda sofa, designed by Sven Schimmer, is defined by its rounded forms and soft, inviting appearance—a sofa that encourages you to simply sink into it.

Its gentle curves, deep seat, and higher backrest provide exceptional comfort and support. Multiple layers of memory foam—even within the armrests—adapt to the body, creating the feel of loose cushions without the need for separate elements. Folda is a clear expression of how design and comfort can seamlessly coexist.

The inward-folded armrest gives Folda its distinctive, soft character. This detail lies at the heart of the design and feels just as comfortable as it looks. The name Folda is derived from the word folded—a subtle reference to its signature armrest.

All listed prices are recommended retail prices and include VAT. Free delivery applies to orders from €1.000 net; otherwise, a shipping fee of €85 will be charged.

Fabric group 1: Customer's Own Material / Naua (6) / Sargasso (6) / Bora Bora, (6) / Gomesa, (6) / Isler, (6) / Milton, (6).

Fabric group 2: Tiare (6) / Moana (6) / Krabi (6) / Caldera (6) / Lazio, (6) / Tamil, (6) / Vivid, (1).

Fabric group 3: Oia, (6) / Bagan, (6) / Remix, (2) / Maple, (2) / Osino, (1) / Monza, (1) / Monza Melange, (1) / Manolo, (3) / Alto, (1) / Moss, (1) / Prairie, (1).

Fabric group 4: Hallingdal 65, (2) / Steelcut, (2) / Steelcut trio, (2) / Tonus, (2) / Divina, (2) / Tonica, (2) / Fiord, (2) / Clay, (2) / Umbra, (1) / Serra, (1) / Re-Wool, (2) / Goby, (4) / Moss, (5) / Safire, (5) / Zero, (5).

Fabric group 5: Twinwool, (1) / Ploegwool, (1) / Panama, (1) / Panamaplus, (1).

1 depløeg 2 kvadrat 3 aristide 4 ROMO 5 SAHCO 6 QLIV

Frame: Beechwood frame with webbing and high-quality cold foam in varying densities for optimal support. Memory foam is added as an extra comfort layer in the seat, backrest, and armrests.

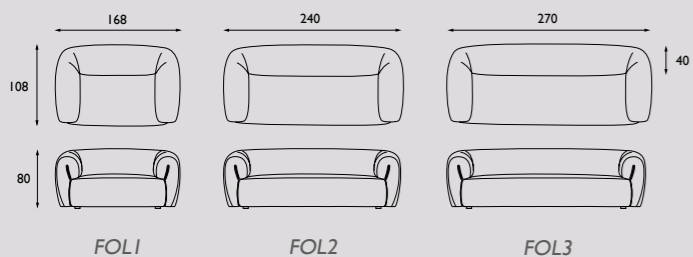
Connection system: The individual elements can be connected in any desired configuration and are also suitable for freestanding placement.

Optional (upon request):

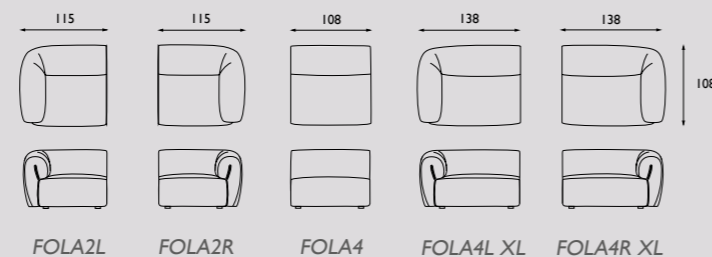
Legs: Standard wooden legs in black. An increased wooden leg height of 4 cm instead of the standard 2 cm is available at no additional cost.

Creasing is inherent to the design and chosen level of comfort and is not considered grounds for claims.

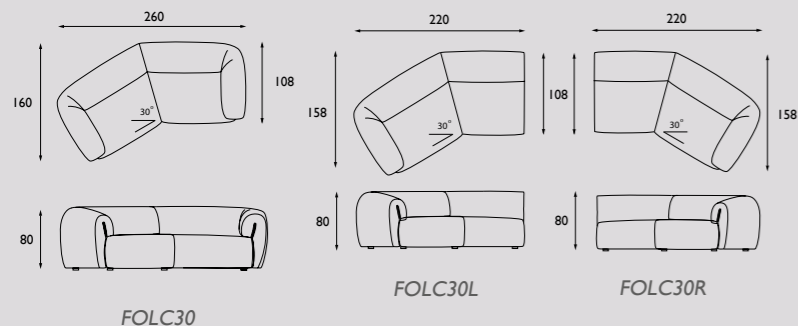
Sofas



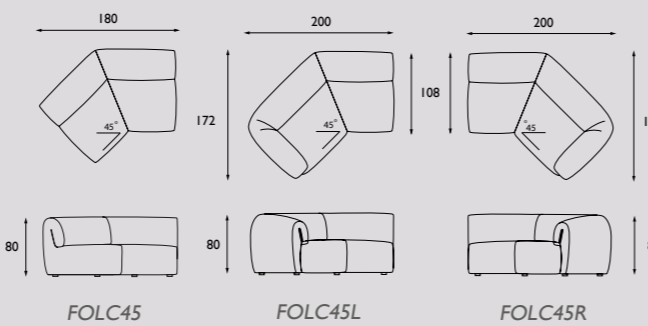
Sofa elements



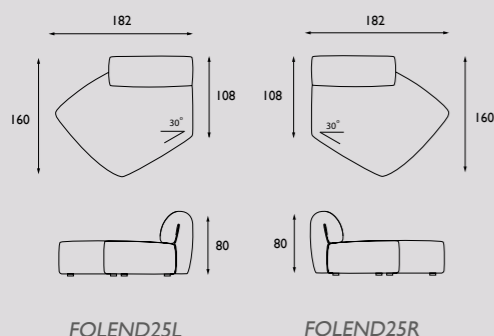
Angle 30° elements



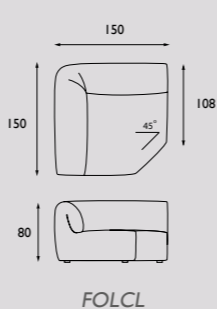
Angle 45° elements



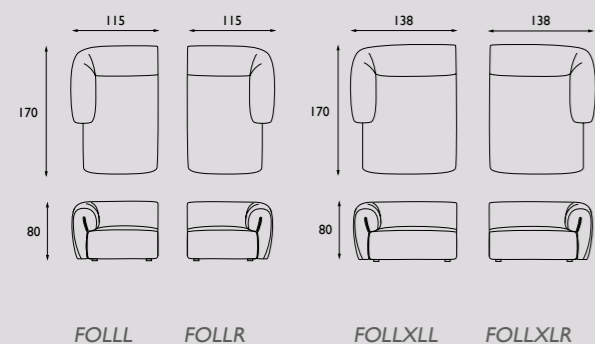
End elements



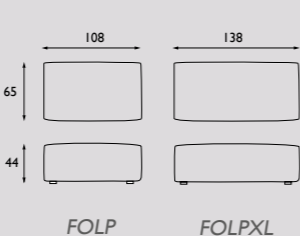
Corner element



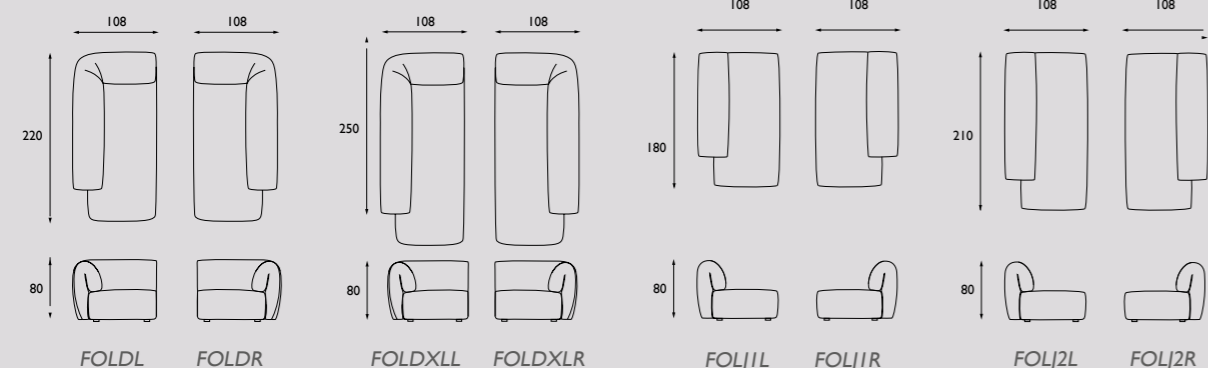
Longchairs



Ottomans



Dormeuses



Folda modular sofa design by Sven Schimmer

Manufactured in the Netherlands

Element	Fabric group 1	Fabric group 2	Fabric group 3	Fabric group 4	Fabric group 5	Leather Angler/Madura	Leather Devon/Wax S.	Leather Colorado	
FOL1	Sofa 1-168cm	€ 4586	€ 4813	€ 5170	€ 5429	€ 5688	€ 5449	€ 6034	€ 6757
FOL2	Sofa 2-240cm	€ 5501	€ 5795	€ 6258	€ 6594	€ 6930	€ 6622	€ 7343	€ 8258
FOL3	Sofa 3-270cm	€ 5958	€ 6278	€ 6779	€ 7144	€ 7509	€ 7178	€ 7955	€ 8947
FOLA2L	A2L left 115cm	€ 2992	€ 3170	€ 3446	€ 3648	€ 3850	€ 3665	€ 4068	€ 4604
FOLA2R	A2R right 115cm	€ 2992	€ 3170	€ 3446	€ 3648	€ 3850	€ 3665	€ 4068	€ 4604
FOLA4	A4 mid 108cm	€ 2614	€ 2764	€ 3000	€ 3171	€ 3343	€ 3091	€ 3428	€ 3875
FOLA4L	A4L XL left 138cm	€ 3379	€ 3571	€ 3869	€ 4087	€ 4305	€ 3981	€ 4420	€ 4984
FOLA4R	A4R XL right 138cm	€ 3379	€ 3571	€ 3869	€ 4087	€ 4305	€ 3981	€ 4420	€ 4984
FOLC30LR	Left and right arm 260cm	€ 6493	€ 6984	€ 7475	€ 7782	€ 7994	€ 7596	€ 8309	€ 9158
FOLC30L	C30L left 220cm	€ 5616	€ 6142	€ 6575	€ 6882	€ 7189	€ 6696	€ 7409	€ 8258
FOLC30R	C30R right 220cm	€ 5616	€ 6142	€ 6575	€ 6882	€ 7189	€ 6696	€ 7409	€ 8258
FOLC45	C45 180cm	€ 4739	€ 4965	€ 5318	€ 5575	€ 5833	€ 5426	€ 6006	€ 6710
FOLC45L	C45L left 200cm	€ 5735	€ 6001	€ 6419	€ 6722	€ 7026	€ 6543	€ 7238	€ 8073
FOLC45R	C45R right 200cm	€ 5735	€ 6001	€ 6419	€ 6722	€ 7026	€ 6543	€ 7238	€ 8073
FOLCL	Corner Large 150cm	€ 4389	€ 4608	€ 4953	€ 5204	€ 5455	€ 5066	€ 5613	€ 6286
FOLEND25L	END25L left 182cm	€ 4412	€ 4607	€ 4910	€ 5132	€ 5353	€ 4992	€ 5519	€ 6137
FOLEND25R	END25R right 182cm	€ 4412	€ 4607	€ 4910	€ 5132	€ 5353	€ 4992	€ 5519	€ 6137
FOLEND30L	END30L left 205cm	€ 5358	€ 5849	€ 6245	€ 6526	€ 6806	€ 6348	€ 7019	€ 7805
FOLEND30R	END30R right 205cm	€ 5358	€ 5849	€ 6245	€ 6526	€ 6806	€ 6348	€ 7019	€ 7805
FOLL	A2 Longchair arm left	€ 4498	€ 4704	€ 5026	€ 5260	€ 5495	€ 5117	€ 5662	€ 6311
FOLLR	A2 Longchair arm right	€ 4498	€ 4704	€ 5026	€ 5260	€ 5495	€ 5117	€ 5662	€ 6311
FOLLXLL	A4 Longchair XL arm left	€ 4603	€ 5012	€ 5443	€ 5684	€ 5925	€ 5528	€ 6114	€ 6790
FOLLXLR	A4 Longchair XL arm right	€ 4603	€ 5012	€ 5443	€ 5684	€ 5925	€ 5528	€ 6114	€ 6790
FOLDL	Dormeuse Left 220cm	€ 5264	€ 5528	€ 5940	€ 6240	€ 6541	€ 6074	€ 6730	€ 7536
FOLDR	Dormeuse Right 220cm	€ 5264	€ 5528	€ 5940	€ 6240	€ 6541	€ 6074	€ 6730	€ 7536
FOLDXLL	Dormeuse XL Left 250cm	€ 5699	€ 5975	€ 6405	€ 6719	€ 7032	€ 6540	€ 7238	€ 8091
FOLDXLR	Dormeuse XL Right 250cm	€ 5699	€ 5975	€ 6405	€ 6719	€ 7032	€ 6540	€ 7238	€ 8091
FOLJIL	J1L Dormeuse left 180cm	€ 4627	€ 4823	€ 5132	€ 5356	€ 5580	€ 5209	€ 5759	€ 6395
FOLJIR	J1R Dormeuse right 180cm	€ 4627	€ 4823	€ 5132	€ 5356	€ 5580	€ 5209	€ 5759	€ 6395
FOLJ2L	J2L Dormeuse left 210cm	€ 5033	€ 5239	€ 5561	€ 5795	€ 6029	€ 5634	€ 6226	€ 6898
FOLJ2R	J2R Dormeuse right 210cm	€ 5033	€ 5239	€ 5561	€ 5795	€ 6029	€ 5634	€ 6226	€ 6898
FOLP	Ottoman 108x65x44cm	€ 1307	€ 1394	€ 1530	€ 1629	€ 1728	€ 1589	€ 1768	€ 2016
FOLPXL	Ottoman XL 138x65x44cm	€ 1508	€ 1604	€ 1754	€ 1863	€ 1972	€ 1815	€ 2018	€ 2295

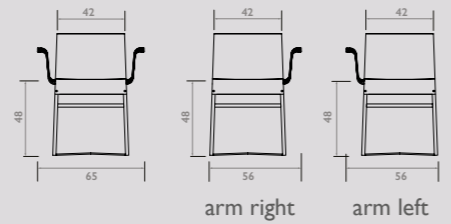
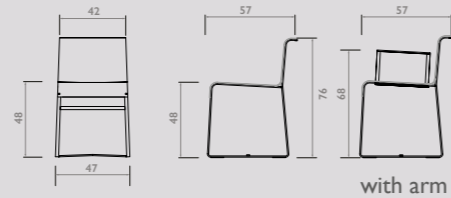
Founded Collection

Bold yet refined—this is an apt description of the Founded collection, designed by Richard Schipper. The concept originated from a desire to keep craftsmanship and design development alive in the Netherlands.

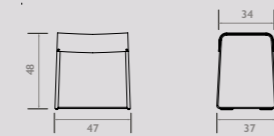
The designs are distinguished by their use of saddle leather for the upholstered elements and a steel frame formed from a single piece, expertly bent into shape using traditional techniques. Saddle leather is vegetable-tanned, making it exceptionally strong with minimal stretch—ideal for seating furniture.

To enhance its rich appearance, a sanded finish has been selected, resulting in a warm, minimalist aesthetic that aligns seamlessly with the QLIV collection.

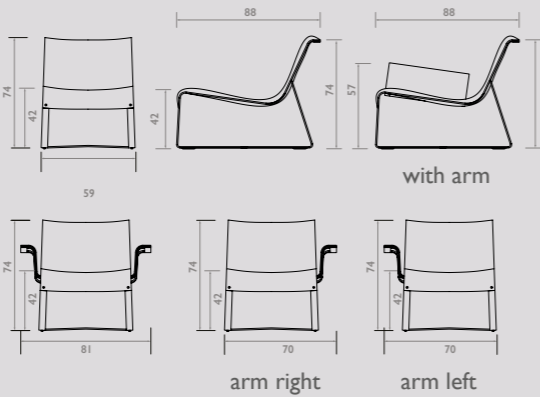
Founded chair



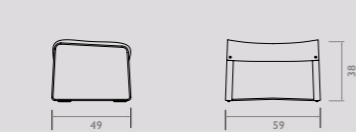
Founded stool



Founded fauteuil



Founded ottoman



Founded chair by Richard Schipper

Manufactured in the Netherlands

	Without arm	1 arm	2 arms
Founded chair	€ 1.156	€ 1.394	€ 1.668
Founded stool height 45 cm	€ 816		
Founded fauteuil	€ 3.025	€ 3.632	€ 4.351
Founded ottoman	€ 1.749		

All listed prices are recommended retail prices and include VAT. Free delivery applies to orders from €1.000 net; otherwise, a shipping fee of €85 will be charged.

Standard leather collection Ohmann:

Saddle Nubuck in Cinnamon and Anthracite
Saddle Touch in Black, Brown, Cognac, and Olive Clay

Other colors within the Saddle leather range by Ohmann are available upon request. Minimum order quantity is 3 pieces; surcharge 15%.

Shell:

The shell is crafted from thick saddle leather and mounted to the steel frame using concealed metal strips.

Base:

The steel frame is formed from a single piece, expertly bent into shape using traditional craftsmanship, and finished with a dark grey powder coating (RAL 7021) applied using laser-cut technology. All chairs are supplied as standard with felt glides, suitable for both hard and soft flooring.

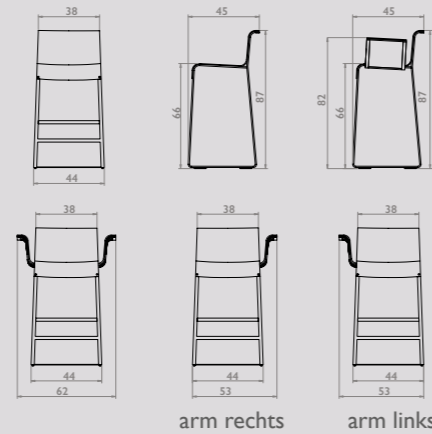
Founded Collection

Bold yet refined—this is an apt description of the Founded collection, designed by Richard Schipper. The concept originated from a desire to preserve craftsmanship and design development in the Netherlands.

The designs are distinguished by their use of saddle leather for the upholstered elements and a steel frame formed from a single piece, expertly bent into shape using traditional techniques. Saddle leather is vegetable-tanned, making it exceptionally strong with minimal stretch—ideal for seating furniture.

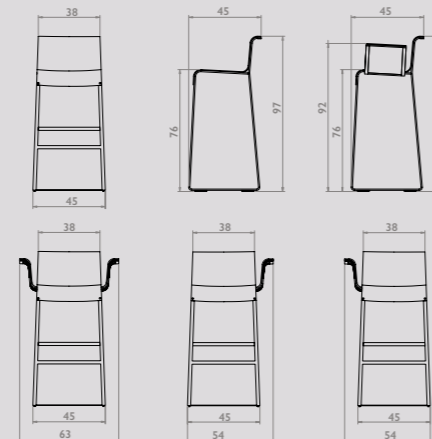
To enhance its rich character, a sanded finish has been selected, resulting in a warm, minimalist aesthetic that aligns seamlessly with the QLIV collection.

Founded counter stool S, 65cm



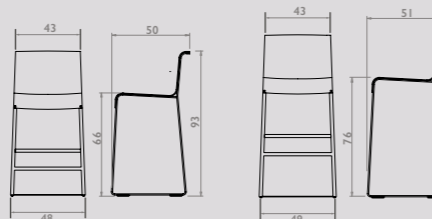
arm rechts arm links

Founded bar stool S, 75cm

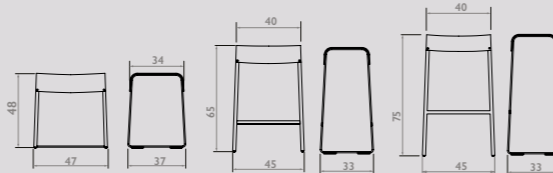


arm rechts arm links

Founded counter stool 65 L en barkruk 75 L



Founded stool 45, 65 en 75



Founded counter stool by Richard Schipper

Manufactured in the Netherlands

	Without arm	1 arm	2 arms
Founded counter stool S Seat height 65 cm	€ 1.189	€ 1.406	€ 1.666
Founded counter stool L Seat height 65 cm	€ 1.307		
Founded bar stool S Seat height 75 cm	€ 1.250	€ 1.480	€ 1.753
Founded bar stool L Seat height 75 cm	€ 1.375		
Founded stool Height 45 cm	€ 816		
Height 65 cm	€ 921		
Height 75 cm	€ 968		

All listed prices are recommended retail prices and include VAT. Free delivery applies to orders from €1.000 net; otherwise, a shipping fee of €85 will be charged.

Standard leather collection Ohmann:

Saddle Nubuck in Cinnamon and Anthracite
Saddle Touch in Black, Brown, Cognac, and Olive Clay

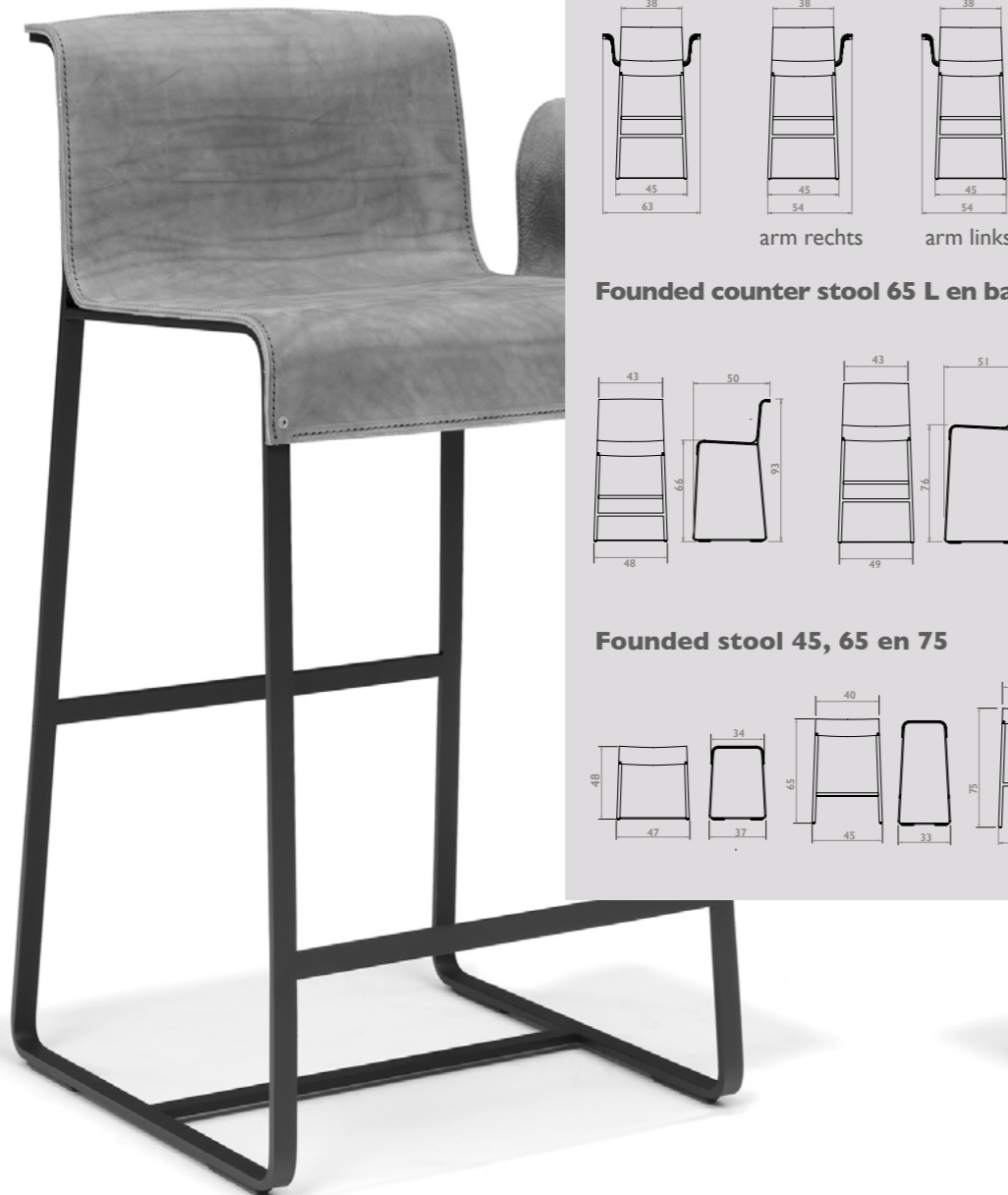
Other colors within the Saddle leather range by Ohmann are available upon request. Minimum order quantity is 3 pieces; surcharge 15%.

Shell:

The shell is crafted from thick saddle leather and mounted to the steel frame using concealed metal strips.

Base:

The steel frame is formed from a single piece, expertly bent into shape using traditional craftsmanship, and finished with a dark grey powder coating (RAL 7021) applied using laser-cut technology. All chairs are supplied as standard with felt glides, suitable for both hard and soft flooring.



Gon

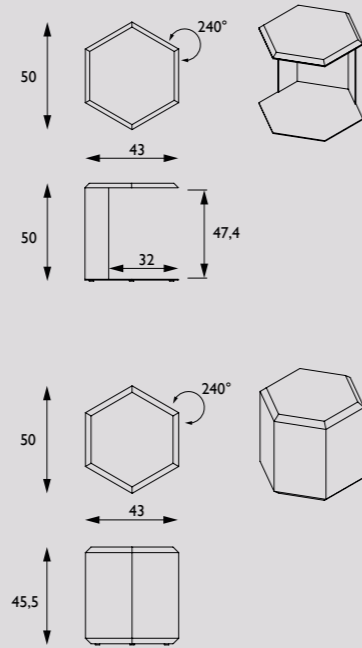
QLIV introduces a new, playful series of hexagonal coffee and side tables. The collection, named Gon, is inspired by the distinctive geometry of the hexagon.

With its six sides, the hexagon is not only visually dynamic but also invites the creation of versatile, ever-changing compositions. The Gon series consists of wooden coffee tables and side tables, available in both a closed version and an open variant, offering space for magazines or decorative objects.

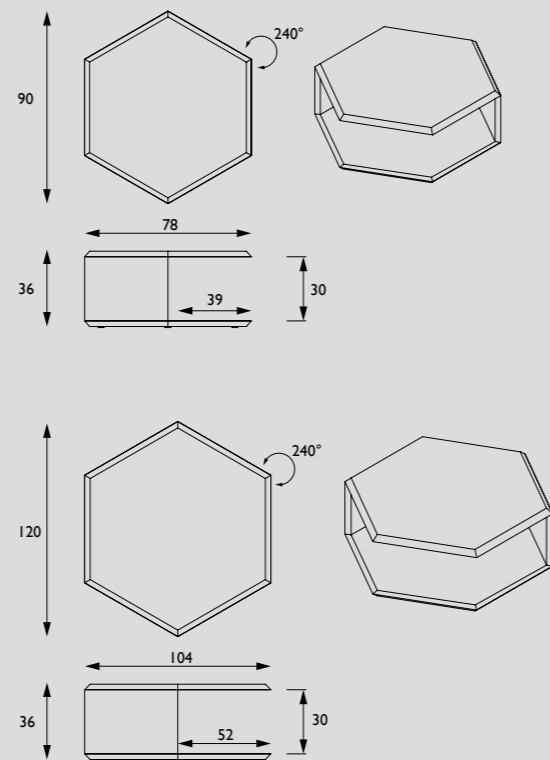
In addition, the collection includes a metal version, finished with a powder coating and combined with a tabletop in oak, walnut, or travertine.

The Gon collection is designed by Sven Schimmer.

Gon side table



Gon coffee table



Gon coffee table by Sven Schimmer

Manufactured in the Netherlands

Approx. dimensions in cm	Version A	Version B	Version C
50cm	€ 1.390	€ 1.452	€ 1.740
90cm	€ 2.260	€ 2.375	€ 2.690
120cm	€ 2.890	€ 2.980	€ 3.480
Metaal - wood	€ 810	€ 845	€ 945
Metaal - travertine	€ 980		

All listed prices are recommended retail prices and include VAT. Free delivery applies to orders from €1.000 net; otherwise, a shipping fee of €85 will be charged. fee of €85 will be charged.

Version A: Naturel oiled oak

Version B: Oak finished with **Skylt soap look** lacquer, **smoked Skylt soap look** lacquer, **smoked look** lacquer, **ash grey** lacquer, **stone grey** lacquer, **white wash** lacquer, **cedar** lacquer, **clay brown** lacquer, **carbon** lacquer and **coal black** lacquer.

Version C: American premium walnut, oiled or lacquered

Tabletop and finishes:

Crafted from solid French oak or solid American walnut, both of premium quality and responsibly sourced. Natural versions are finished with linseed oil or a matte transparent lacquer. Stained and lacquered oak finishes are first treated with the desired stain color and then sealed with a matte transparent lacquer. Optionally, oak can also be smoked upon request. This is a natural process using ammonia, which darkens the wood. Due to the natural tannin content, color variations between planks may occur; this is inherent to the material and not grounds for claims. As an alternative, a smoked look finish is available. This replicates the appearance of smoked oak, resulting in a more even color distribution across the surface.

Frame Gon metal:

Rolled steel, cut using laser-cut technology and finished as standard with a powder coating in bronze or oyster white (RAL 1013). Other RAL colors are available upon request.

Travertine:

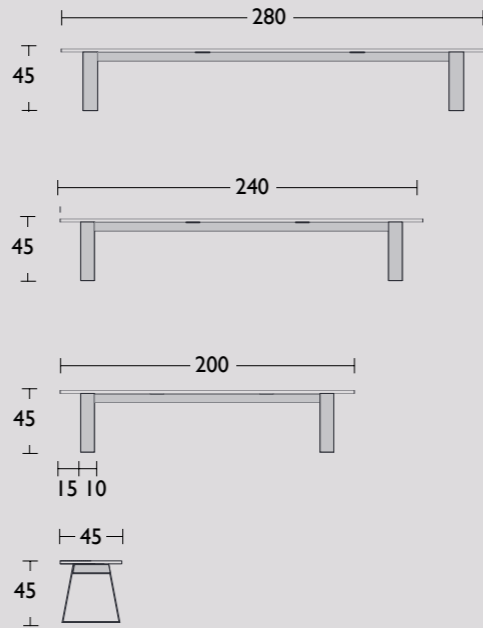
Solid natural travertine with a dense structure. Color variations are inherent to this material and should be considered a natural characteristic. For maintenance, clean weekly with an acid-free product. In case of spills, clean immediately with water and avoid leaving substances on the surface.

Mingle bench

With its clean lines and the combination of solid wood and a metal frame, the Mingle bench is a versatile piece suited for any space in the home. Pair it, for example, with our Bridge or Side-to-Side dining tables.

Its subtle design allows it to complement almost any dining table. However you choose to use it, the Mingle bench is a true visual statement in any setting.

Mingle bench



Mingle bench by QLIV

Manufactured in the Netherlands

Approx. dimensions in cm

	Version A	Version B	Version C
200 x 45 x 45cm	€ 2.521	€ 2.622	€ 2.704
240 x 45 x 45cm	€ 2.674	€ 2.778	€ 2.878
280 x 45 x 45cm	€ 2.830	€ 2.932	€ 3.092

All listed prices are recommended retail prices and include VAT. Free delivery applies to orders from €1.000 net; otherwise, a shipping fee of €85 will be charged.

Version A: Naturel oiled oak

Version B: Oak finished with **Skyt soap look** lacquer, **smoked Skyt soap look** lacquer, **smoked look** lacquer, **ash grey** lacquer, **stone grey** lacquer, **white wash** lacquer, **cedar** lacquer, **clay brown** lacquer, **carbon** lacquer and **coal black** lacquer.

Version C: American premium walnut, oiled or lacquered

Tabletop and finishes:

Crafted from solid French oak or solid American walnut, both of premium quality and responsibly sourced. Natural versions are finished with linseed oil or a matte transparent lacquer. Stained and lacquered oak finishes are first treated with the desired stain color and then sealed with a matte transparent lacquer. Optionally, oak can also be smoked upon request. This is a natural process using ammonia, which darkens the wood. Due to the natural tannin content, color variations between planks may occur; this is inherent to the material and not grounds for claims. As an alternative, a smoked look finish is available. This replicates the appearance of smoked oak, resulting in a more even color distribution across the surface.

Brushed finish:

Het borstelen van de tafel is mogelijk met een meerprijs van 10%. Noesten worden opgevuld met een 2 compartimenten hars. Het proces van het borstelen zorgt voor een sterkere tekening van de nerven van het hout. De levertijd bedraagt 8 tot 10 weken.

Onderstel:

Brushing the table is available at a 10% surcharge. Knots are filled with a two-component resin. This process enhances the natural grain pattern of the wood. Lead time is approximately 8–10 weeks.

Customization:

Custom lengths are available upon request. Pricing is based on the next larger standard size plus a 10% surcharge. Example: Desired size 260 x 45 x 45 cm > use the price of 280 x 45 x 45 cm plus a 10% surcharge. Alternative colors and wood types are available upon request. Please contact us for more information.

Mitchell table

Roderick Vos: "Structural strength and simplicity formed the foundation of this design. With its distinctive corner detail, the Mitchell table is a clear example of minimalist design."

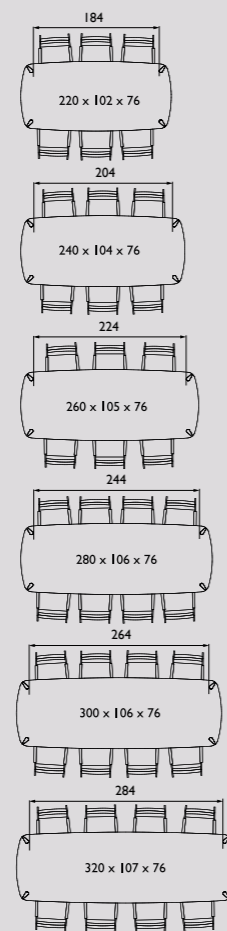
The archetypal form and the striking corner joint detail—visible on the tabletop—give this design its unique character. The table is available in three different tabletop shapes and a range of sizes.

Mitchell is a timeless, handcrafted design. Its subtle curves are inspired by the Spitfire aircraft—a childhood memory of the designer.

Mitchell is a tribute to Reginald Mitchell, the designer of the iconic Spitfire.

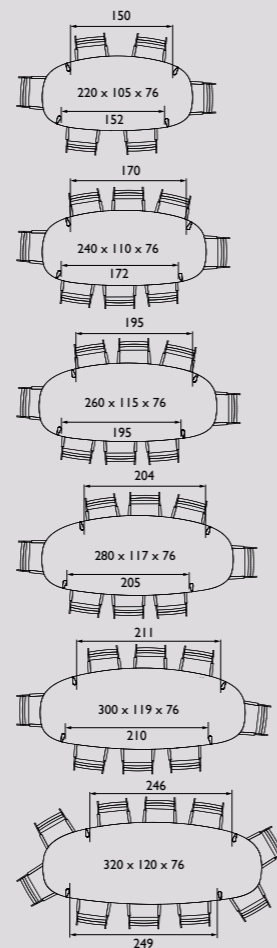
Mitchell table

Rectangular



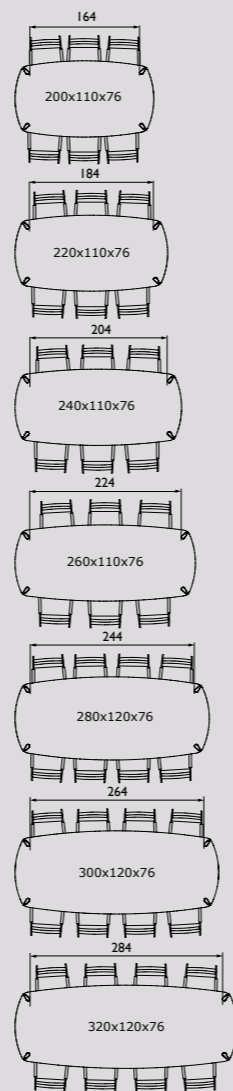
Top thickness 3,7 cm

Stone oval



The leg position on the Stone oval can be adjusted on request.

Danish oval



Mitchell table design by Roderick Vos

Manufactured in the Netherlands

Approx. dimensions in cm		Version A	Version B	Version C
220 x 102 x 76cm	Rectangular	€ 4.528	€ 4.661	€ 6.927
240 x 104 x 76cm	Rectangular	€ 4.811	€ 4.932	€ 7.338
260 x 105 x 76cm	Rectangular	€ 5.185	€ 5.352	€ 7.823
280 x 106 x 76cm	Rectangular	€ 5.443	€ 5.618	€ 8.261
300 x 106 x 76cm	Rectangular	€ 5.703	€ 5.886	€ 8.709
320 x 106 x 76cm	Rectangular	€ 5.970	€ 6.161	€ 9.161
200 x 110 x 76cm	Deens ovaal	€ 4.567	€ 4.769	€ 6.984
220 x 105/110 x 76cm	Stone & Deens ovaal	€ 4.724	€ 4.918	€ 7.242
240 x 110 x 76cm	Stone & Deens ovaal	€ 4.969	€ 5.216	€ 7.657
260 x 115/110 x 76cm	Stone & Deens ovaal	€ 5.465	€ 5.640	€ 7.823
280 x 117/120 x 76cm	Stone & Deens ovaal	€ 5.774	€ 5.960	€ 8.298
300 x 119/120 x 76cm	Stone & Deens ovaal	€ 6.090	€ 6.287	€ 8.709
320 x 120 x 76cm	Stone & Deens ovaal	€ 6.384	€ 6.589	€ 9.134

All listed prices are recommended retail prices and include VAT. Free delivery applies to orders from €1.000 net; otherwise, a shipping fee of €85 will be charged.

Version A: Naturel oiled oak

Version B: Oak finished with **Skylt soap look** lacquer, **smoked Skylt soap look** lacquer, **smoked look** lacquer, **ash grey** lacquer, **stone grey** lacquer, **white wash** lacquer, **cedar** lacquer, **clay brown** lacquer, **carbon** lacquer and **coal black** lacquer.

Version C: American premium walnut, oiled or lacquered

Tafel and finishes:

Crafted from solid French oak or solid American walnut, both of premium quality and responsibly sourced. Natural versions are finished with linseed oil or a matte transparent lacquer. Stained and lacquered oak finishes are first treated with the desired stain color and then sealed with a matte transparent lacquer. Optionally, oak can also be smoked upon request. This is a natural process using ammonia, which darkens the wood. Due to the natural tannin content, color variations between planks may occur; this is inherent to the material and not grounds for claims. As an alternative, a smoked look finish is available. This replicates the appearance of smoked oak, resulting in a more even color distribution across the surface.

Sandblasted finish:

Sandblasting the table is available at a 10% surcharge. Knots are filled with a two-component resin. This process enhances the natural grain pattern of the wood. Lead time is approximately 8–10 weeks.

Customization:

Custom dimensions are available upon request. Pricing is based on the next larger standard size plus a 10% surcharge. Example: Desired size 250 x 90 x 76 cm > use the price of the standard size 260 x 105 cm plus a 10% surcharge. Alternative colors and wood types are available upon request. Please contact us for more information.

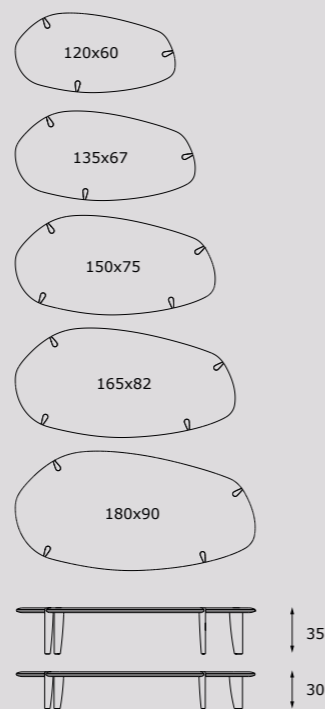
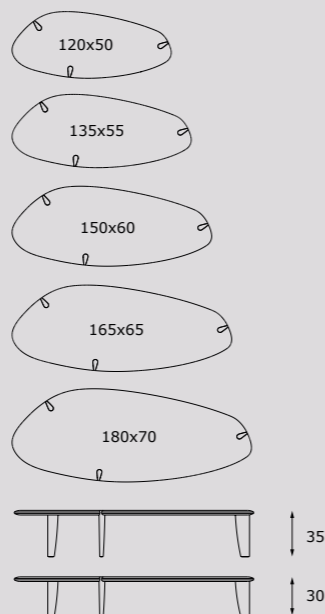
Mitchell coffee table

Roderick Vos: "Structural strength and simplicity formed the foundation of this design. With its distinctive corner detail, the Mitchell table is a clear example of minimalist design."

The archetypal form and the striking corner joint detail—visible on the tabletop—give this design its unique character. The coffee table is available in two different tabletop shapes and a range of sizes.

Mitchell is a timeless, handcrafted design. Its subtle curves are inspired by the Spitfire aircraft—a childhood memory of the designer.

Mitchell coffee table



Mitchell coffee table design by Roderick Vos

Manufactured in the Netherlands

Approx. dimensions in cm	Version A	Version B	Version C
120 x 50 x 30 cm	€ 1.813	€ 1.869	€ 2.538
135 x 55 x 30 cm	€ 1.966	€ 2.029	€ 2.811
150 x 60 x 30 cm	€ 2.141	€ 2.208	€ 3.110
165 x 65 x 30 cm	€ 2.330	€ 2.403	€ 3.439
180 x 70 x 30 cm	€ 2.538	€ 2.618	€ 3.799
120 x 50 x 35 cm	€ 1.877	€ 1.934	€ 2.645
135 x 55 x 35 cm	€ 2.034	€ 2.098	€ 2.919
150 x 60 x 35 cm	€ 2.205	€ 2.274	€ 3.217
165 x 65 x 35 cm	€ 2.398	€ 2.472	€ 3.547
180 x 70 x 35 cm	€ 2.603	€ 2.683	€ 3.903
120 x 60 x 30 cm	€ 1.997	€ 2.059	€ 2.821
135 x 67 x 30 cm	€ 2.202	€ 2.271	€ 3.177
150 x 75 x 30 cm	€ 2.509	€ 2.593	€ 3.787
165 x 82 x 30 cm	€ 2.748	€ 2.840	€ 4.214
180 x 90 x 30 cm	€ 3.029	€ 3.130	€ 4.713
120 x 60 x 35 cm	€ 2.061	€ 2.125	€ 2.928
135 x 67 x 35 cm	€ 2.269	€ 2.341	€ 3.285
150 x 75 x 35 cm	€ 2.590	€ 2.677	€ 3.925
165 x 82 x 35 cm	€ 2.830	€ 2.925	€ 4.352
180 x 90 x 35 cm	€ 3.111	€ 3.215	€ 4.849

All listed prices are recommended retail prices and include VAT. Free delivery applies to orders from €1.000 net; otherwise, a shipping fee of €85 will be charged.

When purchasing a set of two or more tables, you will receive a 5% set discount.

Version A: Naturel oiled oak

Version B: Oak finished with **Skylt soap look** lacquer, **smoked Skylt soap look** lacquer, **smoked look** lacquer, **ash grey** lacquer, **stone grey** lacquer, **white wash** lacquer, **cedar** lacquer, **clay brown** lacquer, **carbon** lacquer and **coal black** lacquer.

Version C: American premium walnut, oiled or lacquered

Tabletop and finishes:

Crafted from solid French oak or solid American walnut, both of premium quality and responsibly sourced. Natural versions are finished with linseed oil or a matte transparent lacquer. Stained and lacquered oak finishes are first treated with the desired stain color and then sealed with a matte transparent lacquer. Optionally, oak can also be smoked upon request. This is a natural process using ammonia, which darkens the wood. Due to the natural tannin content, color variations between planks may occur; this is inherent to the material and not grounds for claims. As an alternative, a smoked look finish is available. This replicates the appearance of smoked oak, resulting in a more even color distribution across the surface.

Sandblasted finish:

Sandblasting the table is available at a 15% surcharge. Knots are filled with a two-component resin. This process enhances the natural grain pattern of the wood. Lead time is approximately 8–10 weeks.

High-gloss finish: A high-gloss lacquer finish for the tabletop is available at a 15% surcharge.

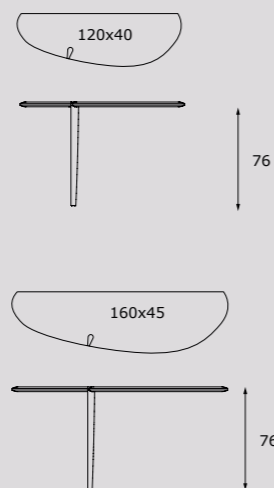
Mitchell

Roderick Vos: "Structural strength and simplicity formed the foundation of this design. With its distinctive corner detail, the 4 cm solid oak or walnut Mitchell console is a clear example of minimalist design."

The archetypal form and the striking corner joint detail—visible on the surface—define the unique character of this piece. The standard sizes are 120 cm and 160 cm, but the design can also be custom-made to your specifications.

Mitchell is a timeless, handcrafted design. Its subtle curves are inspired by the Spitfire aircraft—a childhood memory of the designer.

Mitchell console



Mitchell console design by Roderick Vos

Manufactured in the Netherlands

Approx. dimensions in cm

Version A

Version B

Version C

120 x 40 x 76 cm	Console	€ 1.844	€ 1.906	€ 2.668
160 x 45 x 76 cm	Console	€ 1.947	€ 2.009	€ 2.812

All listed prices are recommended retail prices and include VAT. Free delivery applies to orders from €1.000 net; otherwise, a shipping fee of €85 will be charged.

Version A: Naturel oiled oak

Version B: Oak finished with **Skylt soap look** lacquer, **smoked Skylt soap look** lacquer, **smoked look** lacquer, **ash grey** lacquer, **stone grey** lacquer, **white wash** lacquer, **cedar** lacquer, **clay brown** lacquer, **carbon** lacquer and **coal black** lacquer.

Version C: American premium walnut, oiled or lacquered

Console and finishes:

Crafted from solid French oak or solid American walnut, both of premium quality and responsibly sourced. Natural versions are finished with linseed oil or a matte transparent lacquer. Stained and lacquered oak finishes are first treated with the desired stain color and then sealed with a matte transparent lacquer. Optionally, oak can also be smoked upon request. This is a natural process using ammonia, which darkens the wood. Due to the natural tannin content, color variations between planks may occur; this is inherent to the material and not grounds for claims. As an alternative, a smoked look finish is available. This replicates the appearance of smoked oak, resulting in a more even color distribution across the surface.

Sandblasted finish:

Sandblasting the console is available at a 15% surcharge. Knots are filled with a two-component resin. This process enhances the natural grain pattern of the wood. Lead time is approximately 8–10 weeks.

High-gloss finish:

A high-gloss lacquer finish for the console top is available at a 15% surcharge.

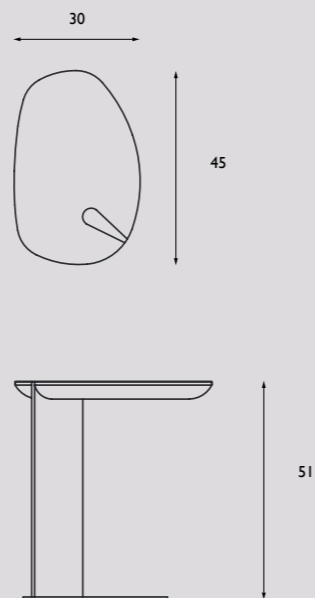
Mitchell

Roderick Vos: "Structural strength and simplicity formed the foundation of this design. With its distinctive corner detail, the 4 cm solid oak or walnut Mitchell console table is a clear example of minimalist design."

The archetypal form and the striking corner joint detail—visible on the surface—define the unique character of this piece. The standard sizes are 120 cm and 160 cm, but the design can also be custom-made to your specifications.

Mitchell is a timeless, handcrafted design. Its subtle curves are inspired by the Spitfire aircraft—a childhood memory of the designer.

Mitchell side table



Mitchell side table design by Roderick Vos

Manufactured in the Netherlands

Approx. dimensions in cm

45 x 30 x 51 cm

Version A

€ 970

Version B

€ 1.031

Version C

€ 1.306

All listed prices are recommended retail prices and include VAT. Free delivery applies to orders from €1.000 net; otherwise, a shipping fee of €85 will be charged.

Version A: Naturel oiled oak

Version B: Oak finished with **Skyt soap look** lacquer, **smoked Skyt soap look** lacquer, **smoked look** lacquer, **ash grey** lacquer, **stone grey** lacquer, **white wash** lacquer, **cedar** lacquer, **clay brown** lacquer, **carbon** lacquer and **coal black** lacquer.

Version C: American premium walnut, oiled or lacquered

Table and finishes:

Crafted from solid French oak or solid American walnut, both of premium quality and responsibly sourced. Natural versions are finished with linseed oil or a matte transparent lacquer. Stained and lacquered oak finishes are first treated with the desired stain color and then sealed with a matte transparent lacquer. Optionally, oak can also be smoked upon request. This is a natural process using ammonia, which darkens the wood. Due to the natural tannin content, color variations between planks may occur; this is inherent to the material and not grounds for claims. As an alternative, a smoked look finish is available. This replicates the appearance of smoked oak, resulting in a more even color distribution across the surface.

Sandblasted finish:

Sandblasting the table is available at a 15% surcharge. Knots are filled with a two-component resin. This process enhances the natural grain pattern of the wood. Lead time is approximately 8–10 weeks.

High-gloss finish:

A high-gloss lacquer finish for the tabletop is available at a 15% surcharge.

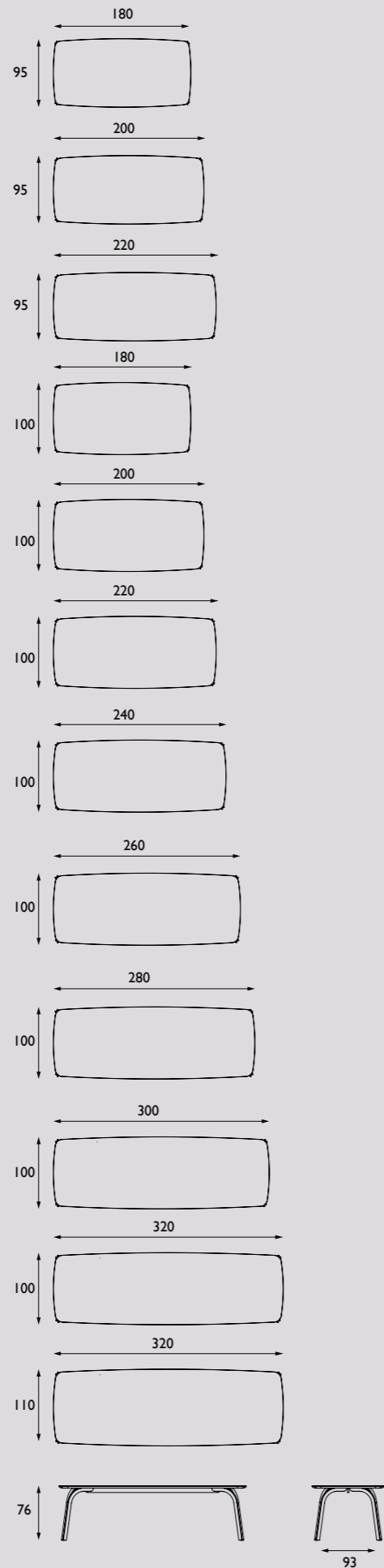
Mito table

Inspired by the technique of bending wood, Carolina Wilcke designed this table for QLIV. Her style is defined by purity and clarity—bold yet refined. The meticulously finished tabletop features softly rounded edges and is elegantly supported by rectangular, bent wooden legs.

The legs are positioned at a playful angle and split just beneath the tabletop, creating a distinctive visual feature. Through experimentation with bent wood forms, the leg design emerged as a true “design gift.” This split inspired Wilcke to name the table Mito, referencing mitosis—the process of cell division.

This elegant table is available in European oak and American walnut. Oak offers a fresh, modern look, while American walnut gives the table a warmer, more sophisticated appearance.

Mito table



Mito table by Carolina Wilcke

Manufactured in the Netherlands

Approx. dimensions in cm	Version A	Version B	Version C
180 x 95	€ 3.741	€ 3.796	€ 4.926
200 x 95	€ 3.921	€ 4.040	€ 5.254
220 x 95	€ 4.162	€ 4.226	€ 5.426
180 x 100	€ 3.982	€ 4.040	€ 5.185
200 x 100	€ 4.172	€ 4.234	€ 5.558
220 x 100	€ 4.433	€ 4.506	€ 5.675
240 x 100	€ 4.655	€ 4.712	€ 5.910
260 x 100	€ 4.904	€ 4.961	€ 6.122
280 x 100	€ 5.131	€ 5.189	€ 6.334
300 x 100	€ 5.167	€ 5.224	€ 6.423
320 x 100	€ 5.556	€ 5.623	€ 7.141
320 x 110	€ 5.834	€ 5.904	€ 7.523

All listed prices are recommended retail prices and include VAT. Free delivery applies to orders from €1.000 net; otherwise, a shipping fee of €85 will be charged.

Version A: Naturel oiled oak

Version B: Oak finished with **Skylt soap look** lacquer, **smoked Skylt soap look** lacquer, **smoked look** lacquer, **ash grey** lacquer, **stone grey** lacquer, **white wash** lacquer, **cedar** lacquer, **clay brown** lacquer, **carbon** lacquer and **coal black** lacquer.

Version C: American premium walnut, oiled or lacquered

Tabletop and finishes:

Crafted from solid French oak or solid American walnut, both of premium quality and responsibly sourced. Natural versions are finished with linseed oil or a matte transparent lacquer. Stained and lacquered oak finishes are first treated with the desired stain color and then sealed with a matte transparent lacquer. Optionally, oak can also be smoked upon request. This is a natural process using ammonia, which darkens the wood. Due to the natural tannin content, color variations between planks may occur; this is inherent to the material and not grounds for claims. As an alternative, a smoked look finish is available. This replicates the appearance of smoked oak, resulting in a more even color distribution across the tabletop.

Base:

Solid bent wooden legs.

Customization:

Custom dimensions are available upon request. Pricing is based on the next larger standard size plus a 10% surcharge. Example: Desired size 230 x 100 cm > use the price of 240 x 100 cm plus a 10% surcharge. Alternative colors and wood types are available upon request at an additional cost. Please contact us for more information.

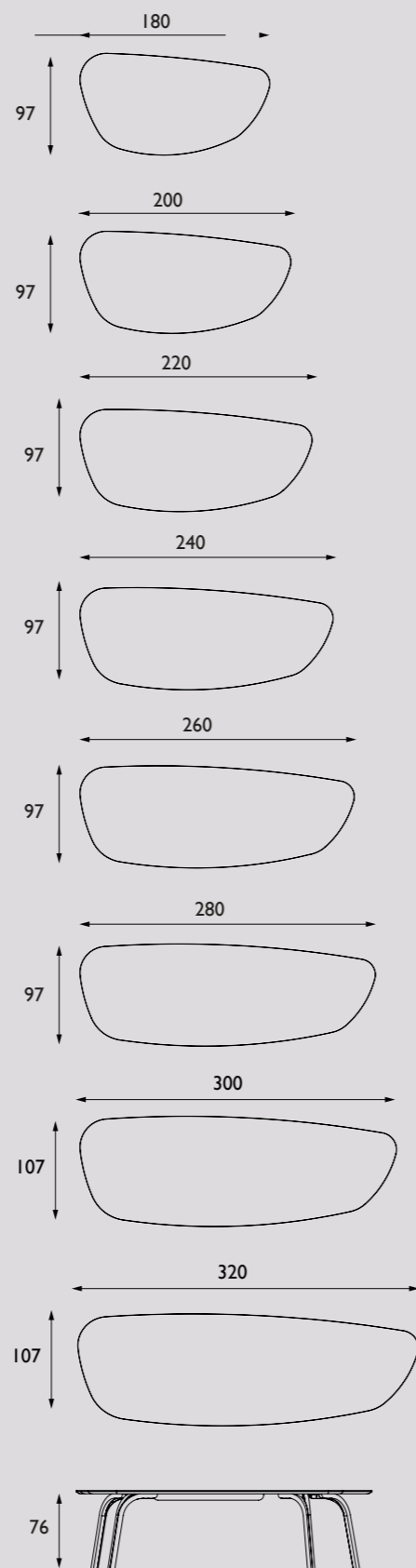
Mito Organic table

Inspired by the technique of bending wood, Carolina Wilcke designed this table for QLIV. Her style is defined by purity and clarity—bold yet refined. The meticulously finished tabletop features softly rounded edges and is elegantly supported by rectangular, bent wooden legs.

The legs are positioned at a playful angle and split just beneath the tabletop, creating a distinctive and dynamic detail. Through experimentation with bent wood forms, the leg design emerged as a true “design gift.” This split inspired Wilcke to name the table Mito, referring to mitosis—the process of cell division.

This elegant table is available in European oak and American walnut. Oak offers a fresh, modern look, while American walnut lends the table a warmer, more sophisticated character.

Mito Organic table



Mito Organic table by Carolina Wilcke

Manufactured in the Netherlands

Approx. dimensions in cm	Version A	Version B	Version C
180 x 97	€ 3.982	€ 4.040	€ 5.185
200 x 97	€ 4.172	€ 4.234	€ 5.558
220 x 97	€ 4.433	€ 4.506	€ 5.675
240 x 97	€ 4.655	€ 4.712	€ 5.910
260 x 97	€ 4.904	€ 4.961	€ 6.122
280 x 97	€ 5.131	€ 5.189	€ 6.334
300 x 107	€ 5.167	€ 5.224	€ 6.423
320 x 107	€ 5.556	€ 5.623	€ 7.141

All listed prices are recommended retail prices and include VAT. Free delivery applies to orders from €1.000 net; otherwise, a shipping fee of €85 will be charged.

Version A: Naturel oiled oak

Version B: Oak finished with **Skylt soap look** lacquer, **smoked Skylt soap look** lacquer, **smoked look** lacquer, **ash grey** lacquer, **stone grey** lacquer, **white wash** lacquer, **cedar** lacquer, **clay brown** lacquer, **carbon** lacquer and **coal black** lacquer.

Version C: American premium walnut, oiled or lacquered

Tabletop and finishes:

Crafted from solid French oak or solid American walnut, both of premium quality and responsibly sourced. Natural versions are finished with linseed oil or a matte transparent lacquer. Stained and lacquered oak finishes are first treated with the desired stain color and then sealed with a matte transparent lacquer. Optionally, oak can also be smoked upon request. This is a natural process using ammonia, which darkens the wood. Due to the natural tannin content, color variations between planks may occur; this is inherent to the material and not grounds for claims. As an alternative, a smoked look finish is available. This replicates the appearance of smoked oak, resulting in a more even color distribution across the tabletop.

Base:

Solid bent wooden legs.

Customization:

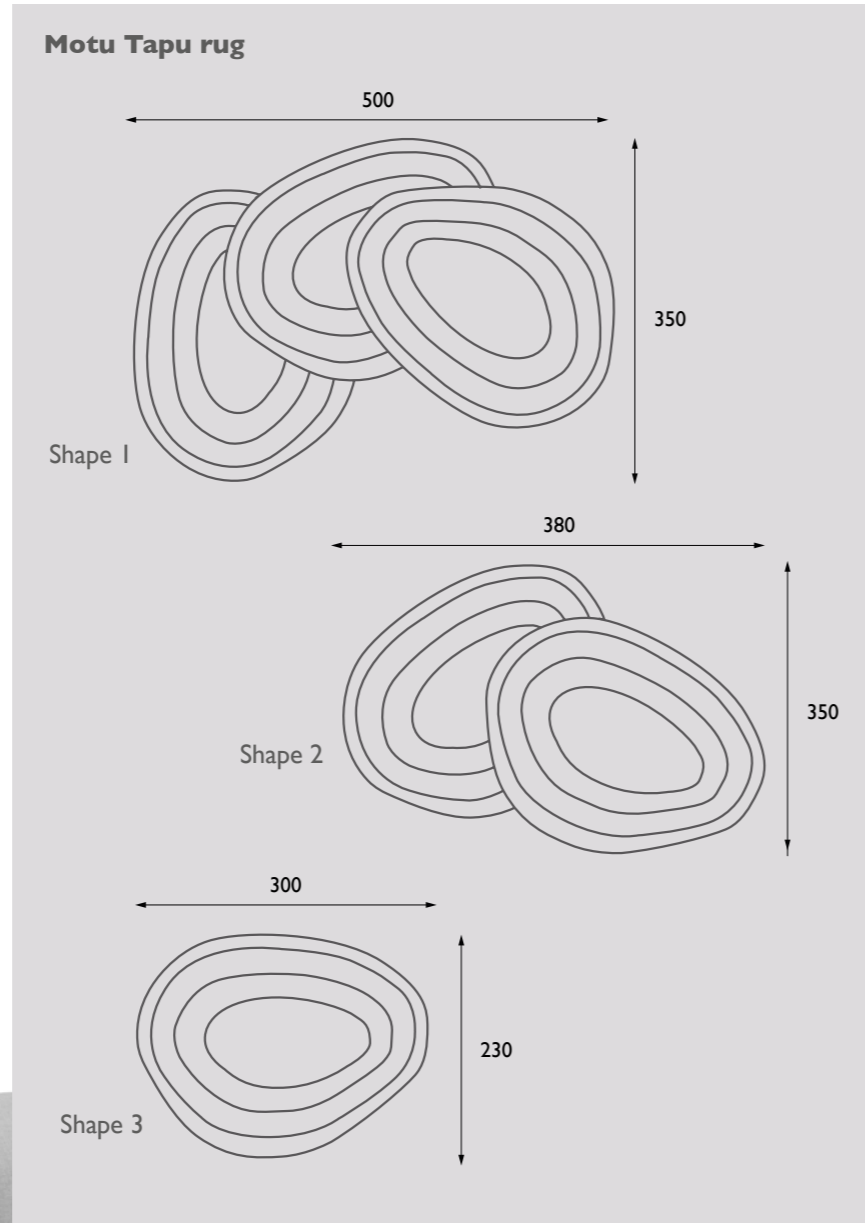
Custom dimensions are available upon request. Pricing is based on the next larger standard size plus a 10% surcharge. Example: Desired size 230 x 100 cm > use the price of 240 x 100 cm plus a 10% surcharge. Alternative colors and wood types are available upon request at an additional cost. Please contact us for more information.

Motu Tapu rug

Motu Tapu brings the layered character of an island landscape into the interior. Flowing lines and bold contours create a subtle tension between calm and expression, allowing the rug to add both structure and dynamism to a space.

The design feels natural within its surroundings, yet continues to intrigue through its interplay of contrasts and rhythm.

Whether it serves as a focal point or blends into a larger composition, Motu Tapu always retains its distinct identity—a harmonious balance between solitude and connection.



Motu Tapu rug by Ingrid Wiendels

Manufactured in the Netherlands

Approx. dimensions in cm

Price

Shape 1: 350 x 500 cm

€7438

Shape 2: 350 x 380 cm

€5653

Shape 3: 230 x 300 cm

€2933

All listed prices are recommended retail prices, including VAT. Delivery is €85 excluding VAT per rug.

Composition: 80% New Zealand wool and 20% linen, RWS certified.

Color options: Cloud creme, Sea mist, Misty Jade, Silt Smoke.

Color samples: Available upon request.

On Top table

QLIV developed this table as a light and airy industrial design, where the art of reduction is applied to its fullest extent. With this table, the user is truly on top: the design is fully customizable to suit individual preferences.

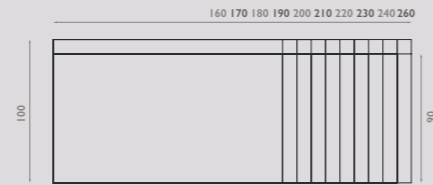
Choose from a rectangular, Amsterdam oval, or clean oval tabletop, with either a straight or tapered edge finish. Available in Premium or Bold oak, as well as American walnut, allowing you to create the desired look for any space.

The tabletop is available in standard widths of 90 and 100 cm, with lengths starting at 160 cm and extending in 10 cm increments up to 260 cm.

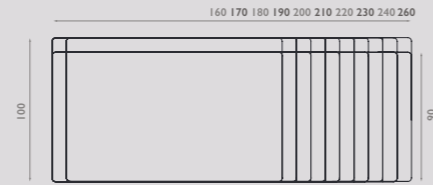
The base is crafted using laser-cut technology, resulting in a structure that plays with light. The balance between light and shadow creates an intriguing visual effect beneath the tabletop. The position of the base can be easily adjusted thanks to multiple insert points under the top.

With its slender lines, this table is particularly well suited for smaller spaces, while also adding a sense of lightness to larger interiors.

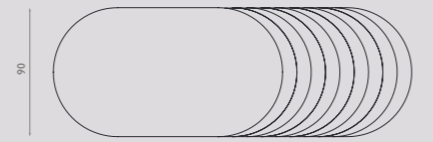
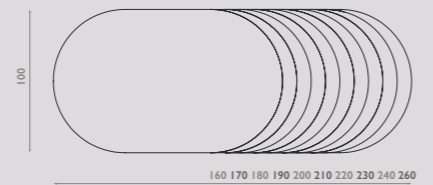
On Top Rectangular, straight edge



On Top Rechthoek, Round edge



On Top Clean oval

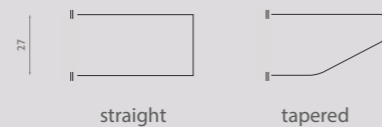


Base



adjustable frame

Edge style



straight

tapered

On Top table by QLIV Manufactured in the Netherlands

Rectangular Dimensions	Premium Oak		Bold Oak		Am. Walnut
	Version A	Version B	Version A	Version B	Version C
160 x 90	€ 2.670	€ 2.757	€ 2.413	€ 2.538	€ 3.442
180 x 90	€ 2.784	€ 2.871	€ 2.521	€ 2.645	€ 3.544
200 x 90	€ 2.915	€ 3.019	€ 2.666	€ 2.764	€ 3.720
210 x 90	€ 3.046	€ 3.132	€ 2.770	€ 2.851	€ 3.858
220 x 90	€ 3.046	€ 3.132	€ 2.770	€ 2.851	€ 3.858
230 x 90	€ 3.165	€ 3.250	€ 2.890	€ 2.972	€ 3.936
240 x 90	€ 3.165	€ 3.250	€ 2.890	€ 2.972	€ 3.936
260 x 90	€ 3.323	€ 3.413	€ 3.035	€ 3.121	€ 4.133
180 x 100	€ 2.880	€ 2.967	€ 2.559	€ 2.659	€ 3.674
200 x 100	€ 3.019	€ 3.107	€ 2.704	€ 2.785	€ 3.835
210 x 100	€ 3.151	€ 3.238	€ 2.806	€ 2.890	€ 3.925
220 x 100	€ 3.151	€ 3.238	€ 2.806	€ 2.890	€ 3.925
230 x 100	€ 3.282	€ 3.369	€ 2.931	€ 3.014	€ 4.023
240 x 100	€ 3.282	€ 3.369	€ 2.931	€ 3.014	€ 4.023
260 x 100	€ 3.446	€ 3.537	€ 3.078	€ 3.165	€ 4.224

Minimal Oval Dimensions	Premium Oak		Bold Oak		Am. Walnut
	Version A	Version B	Version A	Version B	Version C
160 x 90	€ 2.784	€ 2.868	€ 2.521	€ 2.600	€ 3.527
180 x 90	€ 2.893	€ 2.981	€ 2.624	€ 2.708	€ 3.637
200 x 90	€ 3.056	€ 3.158	€ 2.760	€ 2.856	€ 3.783
210 x 90	€ 3.187	€ 3.272	€ 2.861	€ 2.942	€ 3.936
220 x 90	€ 3.187	€ 3.272	€ 2.861	€ 2.942	€ 3.936
230 x 90	€ 3.321	€ 3.408	€ 2.988	€ 3.071	€ 4.054
240 x 90	€ 3.321	€ 3.408	€ 2.988	€ 3.071	€ 4.054
260 x 90	€ 3.487	€ 3.578	€ 3.137	€ 3.225	€ 4.257
180 x 100	€ 2.945	€ 3.033	€ 2.662	€ 2.746	€ 3.684
200 x 100	€ 3.115	€ 3.203	€ 2.794	€ 2.876	€ 3.877
210 x 100	€ 3.250	€ 3.338	€ 2.901	€ 2.984	€ 3.995
220 x 100	€ 3.250	€ 3.338	€ 2.901	€ 2.984	€ 3.995
230 x 100	€ 3.386	€ 3.473	€ 3.029	€ 3.111	€ 4.114
240 x 100	€ 3.386	€ 3.473	€ 3.029	€ 3.111	€ 4.114
260 x 100	€ 3.555	€ 3.647	€ 3.180	€ 3.267	€ 4.209

On Top table

QLIV developed this table as a light and airy industrial design, where the art of reduction is expressed at its finest. With this table, the user is truly on top: the design is fully customizable to suit individual preferences.

Choose from a rectangular, Amsterdam oval, or clean oval tabletop, with either a straight or tapered edge. Available in Premium or Bold oak, as well as American walnut—allowing you to create the desired look for any space.

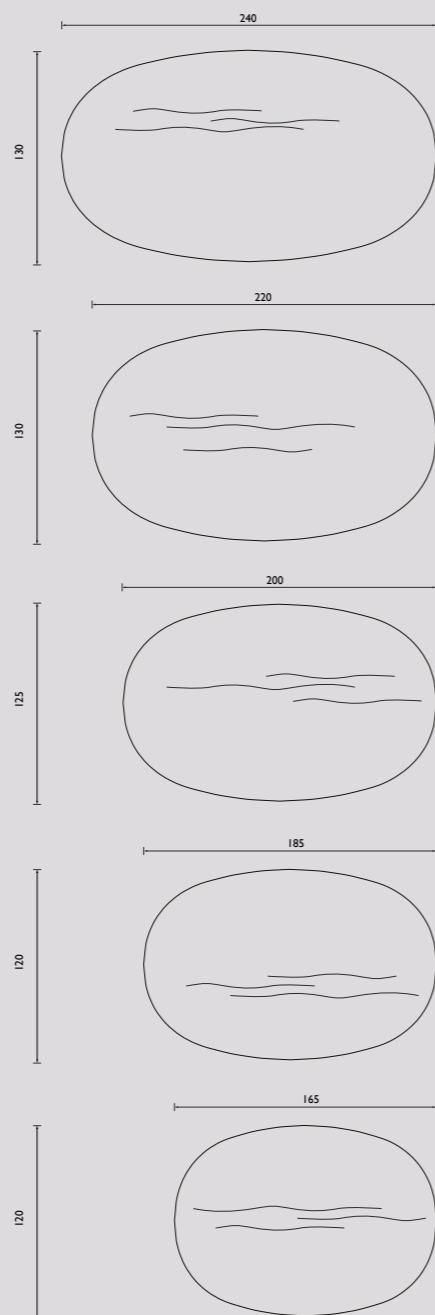
The tabletop is available in standard widths of 90 and 100 cm. Lengths start at 160 cm and can be extended in increments of 10 cm up to a maximum of 240 cm.

The base is crafted using laser-cut technology, resulting in a structure that plays with light. The balance between light and shadow creates an intriguing visual effect beneath the tabletop. The position of the base can be easily adjusted thanks to multiple insert points under the top.

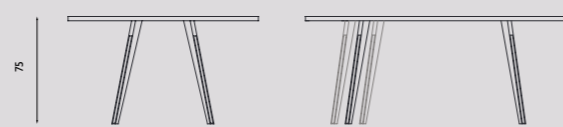
With its slender lines, this table is particularly well suited for smaller spaces, while also adding a sense of lightness to larger interiors.



On Top A'dams Oval



Base



adjustable frame

Edge style



straight

tapered

On Top table by QLIV

Manufactured in the Netherlands

A'dams Oval Dimensions	Premium Oak		Bold Oak		Am. Walnut
	Version A	Version B	Version A	Version B	Version C
165x120	€ 3.099	€ 3.174	€ 2.853	€ 2.926	€ 3.885
185x120	€ 3.232	€ 3.309	€ 2.981	€ 3.054	€ 4.152
200x125	€ 3.465	€ 3.542	€ 3.201	€ 3.275	€ 4.435
220x130	€ 3.656	€ 3.733	€ 3.383	€ 3.456	€ 4.599
240x130	€ 3.848	€ 4.073	€ 3.602	€ 3.674	€ 4.725

All listed prices are recommended retail prices and include VAT. Free delivery applies to orders from €1.000 net; otherwise, a shipping fee of €85 will be charged.

Version A: Naturel oiled oak

Version B: Oak finished with **Skylt soap look** lacquer, **smoked Skylt soap look** lacquer, **smoked look** lacquer, **ash grey** lacquer, **stone grey** lacquer, **white wash** lacquer, **cedar** lacquer, **clay brown** lacquer, **carbon** lacquer and **coal black** lacquer.

Version C: American premium walnut, oiled or lacquered

Tabletop and finishes:

Crafted from solid French oak or solid American walnut, both of premium quality and responsibly sourced. Natural versions are finished with linseed oil or a matte transparent lacquer. Stained and lacquered oak finishes are first treated with the desired stain color and then sealed with a matte transparent lacquer. Optionally, oak can also be smoked upon request. This is a natural process using ammonia, which darkens the wood. Due to the natural tannin content, color variations between planks may occur; this is inherent to the material and not grounds for claims. As an alternative, a smoked look finish is available. This replicates the appearance of smoked oak, resulting in a more even color distribution across the tabletop.

Premium oak: Relatively small and minimal knots, for a clean and refined look.

Bold oak: Larger and more pronounced knots, for a more rugged appearance.

Brushed finish:

Brushing the table is available at a 10% surcharge. Knots are filled with a two-component resin. This process enhances the natural grain pattern of the wood. Lead time is approximately 8–10 weeks.

Base:

Rolled steel, cut using laser-cut technology and finished as standard with a dark grey powder coating or grey white (RAL 9002). Other RAL colors are available upon request at an additional cost. The position of the frame can be adjusted according to your preference.

Customization:

Custom dimensions are available upon request. Pricing is based on the next larger standard size plus a 10% surcharge. Example: Desired size 175 × 120 × 75 cm > use the price of 185 × 120 × 75 cm plus a 10% surcharge.

Or: Desired size 200 × 130 × 75 cm > use the price of 220 × 130 × 75 cm plus a 10% surcharge.

Alternative colors and wood types are available upon request. Please contact us for more information.

On Top bench

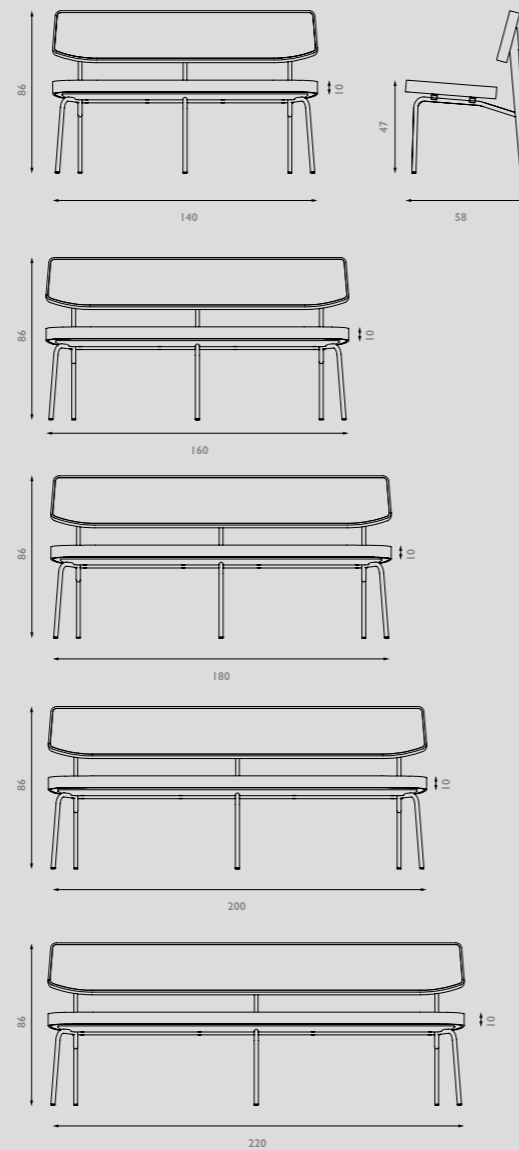
The On Top bench is a modern dining bench defined by clean lines and refined contours. Its generous seat and supportive backrest form the foundation of the design, offering exceptional comfort—whether for long, relaxed dinners or a full day of work.

Developed using advanced techniques, the bench features a metal frame finished with a powder coating. The carefully constructed foam structure ensures optimal support and lasting comfort.

With its bold, relaxed, and no-nonsense character, On Top fits effortlessly into a wide range of interiors. The design is inspired by the base of the successful On Top table series by QLIV, while its modern aesthetic and clean silhouette allow it to pair seamlessly with other tables.

Available in a wide selection of fabrics and leathers, allowing you to tailor the bench to your personal style.

On Top Bench



On Top Bench by QLIV studio

Manufactured in the Netherlands

	Fabric group 1	Fabric group 2	Fabric group 3	Fabric group 4	Fabric group 5	Leather Angler/ Madura	Leather Devon/ Wax S.	Leather Colorado
140 cm 3,4 m fabric / 6,6 m ² leather	€ 1.252	€ 1.484	€ 1.664	€ 1.925	€ 2.031	€ 1.841	€ 2.095	€ 2.521
160 cm 3,8 m fabric / 7,4 m ² leather	€ 1.309	€ 1.562	€ 1.753	€ 1.962	€ 2.171	€ 1.984	€ 2.276	€ 2.654
180 cm 4,2 m fabric / 8,2 m ² leather	€ 1.366	€ 1.670	€ 1.910	€ 2.158	€ 2.408	€ 2.107	€ 2.347	€ 2.783
200 cm 4,6 m fabric / 9 m ² leather	€ 1.442	€ 1.768	€ 2.008	€ 2.261	€ 2.584	€ 2.216	€ 2.444	€ 2.973
220 cm 5 m fabric / 9,8 m ² leather	€ 1.523	€ 1.894	€ 2.186	€ 2.479	€ 2.723	€ 2.362	€ 2.576	€ 3.184

All listed prices are recommended retail prices and include VAT. Free delivery applies to orders from €1.000 net; otherwise, a shipping fee of €85 will be charged.

Fabric group 1: Customer's Own Material / Naua (6) / Sargasso (6) / Bora Bora, (6) / Gomesa, (6) / Isler, (6) / Milton, (6).

Fabric group 2: Tiare (6) / Moana (6) / Krabi (6) / Caldera (6) / Lazio, (6) / Tamil, (6) / Vivid, (1).

Fabric group 3: Oia, (6) / Bagan, (6) / Remix, (2) / Maple, (2) / Osino, (1) / Monza, (1) / Monza Melange, (1) / Manolo, (3) / Alto, (1) / Moss, (1) / Prairie, (1).

Fabric group 4: Hallingdal 65, (2) / Steelcut, (2) / Steelcut trio, (2) / Tonus, (2) / Divina, (2) / Tonica, (2) / Fiord, (2) / Clay, (2) / Umbra, (1) / Serra, (1) / Re-Wool, (2) / Goby, (4) / Moss, (5) / Safire, (5) / Zero, (5).

Fabric group 5: Twinwool, (1) / Ploegwool, (1) / Panama, (1) / Panamaplus, (1).

1 deplieg: 2 kvadrat 3 aristide 4 ROMO 5 SAHCO 6 QLIV

Seat and backrest:

Wooden frame with polyurethane foam in varying densities for optimal support and comfort.

Frame:

Rolled steel, cut using laser-cut technology and finished with a powder coating in dark grey, silk grey (RAL 7044), grey white (RAL 9002), white (RAL 9010), or black (RAL 9005). Other RAL colors are available upon request at an additional cost. All seating is supplied as standard with protective caps and felt glides, suitable for both hard and soft flooring.

On Top chair

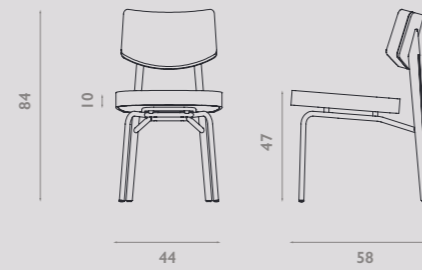
The On Top chair is a modern design defined by clean lines and refined contours. Its generous seat and supportive backrest form the foundation of the design, providing exceptional comfort—whether for long, relaxed dinners or a full day of work.

Developed using advanced techniques, the chair features a metal frame finished with a powder coating. The carefully constructed foam structure ensures optimal support and a comfortable seating experience.

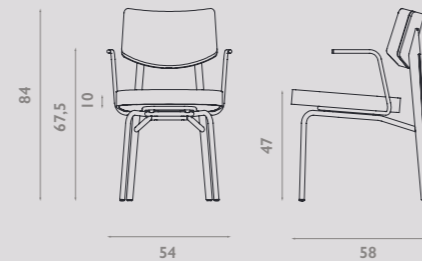
With its bold, relaxed, and no-nonsense character, On Top fits effortlessly into a wide range of interiors. The design is inspired by the base of the successful On Top table series by QLIV, yet its modern aesthetic and clean silhouette make it easy to pair with other tables as well.

Available in a wide selection of fabrics and leathers, allowing you to tailor the chair to your personal style.

On Top chair



On Top arm chair



On Top chair by QLIV studio

Manufactured in the Netherlands

	Fabric group 1	Fabric group 2	Fabric group 3	Fabric group 4	Fabric group 5	Leather Angler/ Madura	Leather Devon/ Wax S.	Leather Colorado
On Top chair 0,9 m fabric / 2,5 m ² leather	€ 618	€ 693	€ 744	€ 744	€ 846	€ 940	€ 992	€ 1.045
On Top armstoel 0,9 m fabric / 2,5 m ² leather	€ 771	€ 852	€ 903	€ 903	€ 1.005	€ 1.092	€ 1.145	€ 1.197

All listed prices are recommended retail prices and include VAT. Free delivery applies to orders from €1.000 net; otherwise, a shipping fee of €85 will be charged.

Fabric group 1: Customer's Own Material / Naua (6) / Sargasso (6) / Bora Bora, (6) / Gomesa, (6) / Isler, (6) / Milton, (6).

Fabric group 2: Tiare (6) / Moana (6) / Krabi (6) / Caldera (6) / Lazio, (6) / Tamil, (6) / Vivid, (1).

Fabric group 3: Oia, (6) / Bagan, (6) / Remix, (2) / Maple, (2) / Osino, (1) / Monza, (1) / Monza Melange, (1) / Manolo, (3) / Alto, (1) / Moss, (1) / Prairie, (1).

Fabric group 4: Hallingdal 65, (2) / Steelcut, (2) / Steelcut trio, (2) / Tonus, (2) / Divina, (2) / Tonica, (2) / Fiord, (2) / Clay, (2) / Umbra, (1) / Serra, (1) / Re-Wool, (2) / Goby, (4) / Moss, (5) / Safire, (5) / Zero, (5).

Fabric group 5: Twinwool, (1) / Ploegwool, (1) / Panama, (1) / Panamaplus, (1).

1 de ploeg: 2 kvadrat 3 arside 4 ROMO 5 SAHCO 6 QLIV

Seat and backrest:

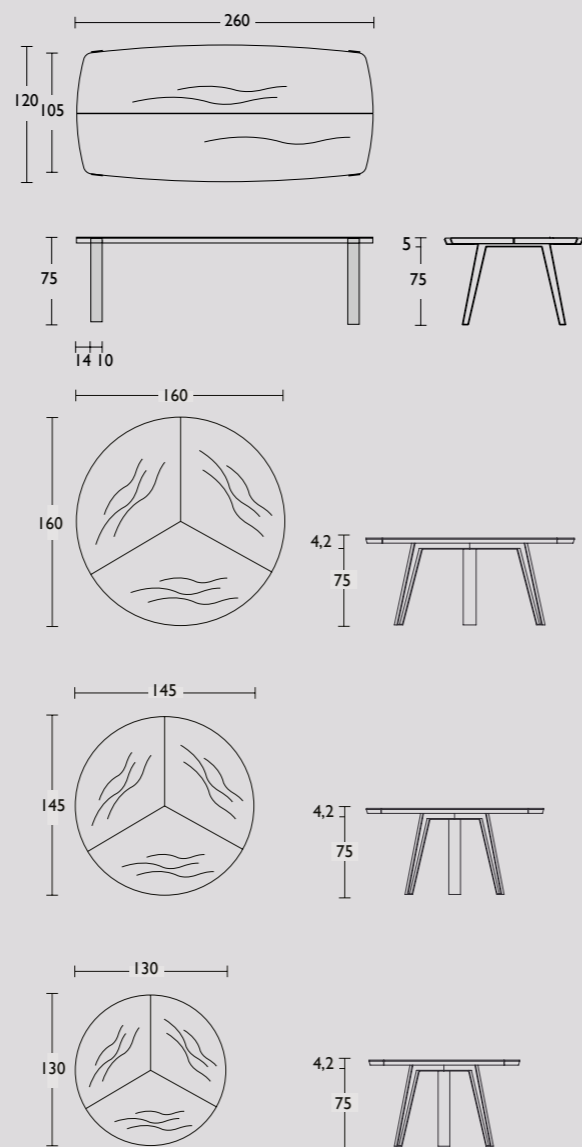
Wooden frame with polyurethane foam in varying densities for optimal support and comfort.

Frame:

Rolled steel, cut using laser-cut technology and finished with a powder coating in dark grey, silk grey (RAL 7044), grey white (RAL 9002), white (RAL 9010), or black (RAL 9005). Other RAL colors are available upon request at an additional cost. All chairs are supplied as standard with protective caps and felt glides, suitable for both hard and soft flooring.



Side-to-Side specials



Side-to-Side specials by QLIV

Manufactured in the Netherlands

Approx. dimensions in cm		Version A	Version B	Version C
260 x 105/120 x 75cm	Oval table	€ 4.744	€ 4.833	€ 6.348
130 Ø x 75cm	Round table	€ 4.582	€ 4.826	€ 5.892
145 Ø x 75cm	Round table	€ 4.780	€ 5.024	€ 6.161
160 Ø x 75 cm	Round table	€ 4.977	€ 5.222	€ 6.430

All listed prices are recommended retail prices and include VAT. Free delivery applies to orders from €1.000 net; otherwise, a shipping fee of €85 will be charged.

Version A: Naturel oiled oak

Version B: Oak finished with **Skylt soap look** lacquer, **smoked Skylt soap look** lacquer, **smoked look** lacquer, **ash grey** lacquer, **stone grey** lacquer, **white wash** lacquer, **cedar** lacquer, **clay brown** lacquer, **carbon** lacquer and **coal black** lacquer.

Version C: American premium walnut, oiled or lacquered

Tabletop and finishes:

Crafted from solid French oak or solid American walnut, both of premium quality and responsibly sourced. Natural versions are finished with linseed oil or a matte transparent lacquer. Stained and lacquered oak finishes are first treated with the desired stain color and then sealed with a matte transparent lacquer. Optionally, oak can also be smoked upon request. This is a natural process using ammonia, which darkens the wood. Due to the natural tannin content, color variations between planks may occur; this is inherent to the material and not grounds for claims. As an alternative, a smoked look finish is available. This replicates the appearance of smoked oak, resulting in a more even color distribution across the tabletop.

Brushed finish:

Brushing the table is available at a 10% surcharge. Knots are filled with a two-component resin. This process enhances the natural grain pattern of the wood. Lead time is approximately 8–10 weeks.

Base:

Rolled steel, cut using laser-cut technology and finished as standard with a dark grey powder coating. Other RAL colors are available upon request at an additional cost.

Customization:

Custom dimensions, colors, and wood types are available upon request at an additional cost. Please contact us for more information.

Side-to-Side table

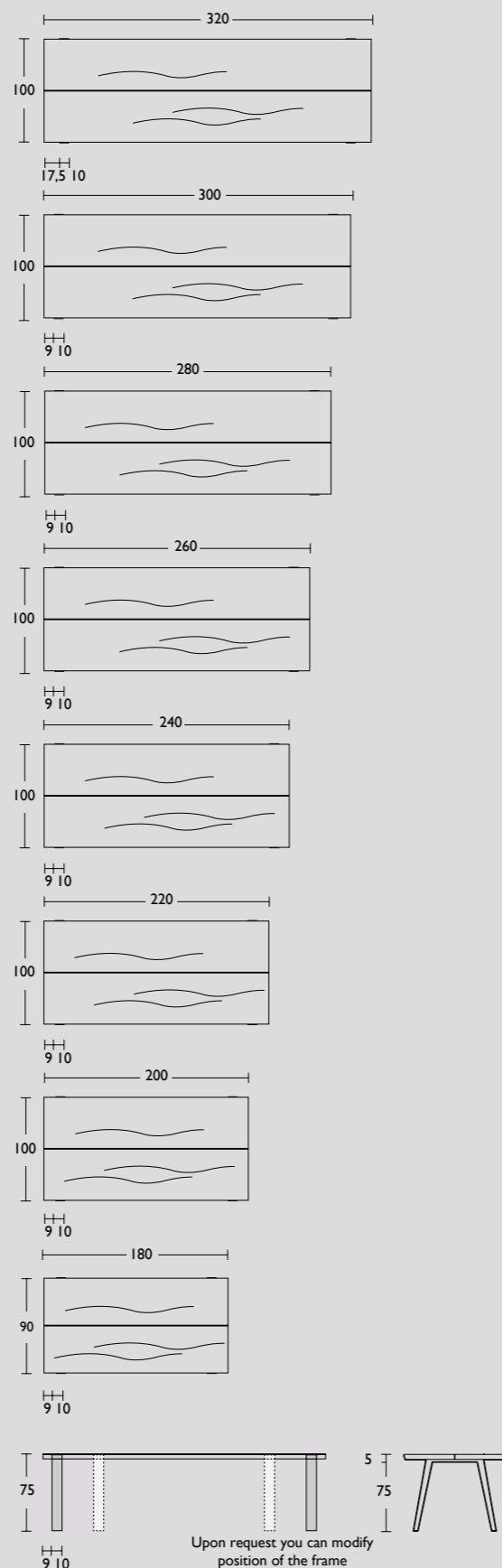
With the distinctive Side-to-Side table, QLIV brings both design and functionality into your interior. The tabletop of this robust yet refined piece is crafted from solid French oak and consists of two parts—adding both visual interest and functionality to the design.

The steel frame is produced using laser-cut technology, creating the impression that the table is held together by its construction. The sides of the tabletop are precisely milled, allowing the steel frame to be seamlessly recessed into the wood.

Side-to-Side is a playful design available in a variety of configurations. Opt for a narrower format or a different wood type, or choose a single-piece top instead of the standard two-part version. The frame can also be finished in alternative colors and positioned differently upon request.

With its striking form and combination of materials, Side-to-Side is a distinctive addition to any interior.

Side-to-Side table



Side-to-Side table by QLIV

Manufactured in the Netherlands

Approx. dimensions in cm	Version A	Version B	Version C
180 x 90 x 75cm	€ 3.721	€ 3.822	€ 4.754
200 x 100 x 75cm	€ 3.894	€ 3.990	€ 5.130
220 x 100 x 75cm	€ 4.090	€ 4.186	€ 5.441
240 x 100 x 75cm	€ 4.259	€ 4.359	€ 5.772
260 x 100 x 75cm	€ 4.370	€ 4.465	€ 5.949
280 x 100 x 75cm	€ 4.634	€ 4.727	€ 6.274
300 x 100 x 75cm	€ 5.018	€ 5.111	€ 6.762
320 x 100 x 75cm	€ 5.328	€ 5.432	€ 7.067

All listed prices are recommended retail prices and include VAT. Free delivery applies to orders from €1.000 net; otherwise, a shipping fee of €85 will be charged.

Version A: Naturel oiled oak

Version B: Oak finished with **Skylt soap look** lacquer, **smoked Skylt soap look** lacquer, **smoked look** lacquer, **ash grey** lacquer, **stone grey** lacquer, **white wash** lacquer, **cedar** lacquer, **clay brown** lacquer, **carbon** lacquer and **coal black** lacquer.

Version C: American premium walnut, oiled or lacquered

Tabletop and finishes:

Crafted from solid French oak or solid American walnut, both of premium quality and responsibly sourced. Natural versions are finished with linseed oil or a matte transparent lacquer. Stained and lacquered oak finishes are first treated with the desired stain color and then sealed with a matte transparent lacquer. Optionally, oak can also be smoked upon request. This is a natural process using ammonia, which darkens the wood. Due to the natural tannin content, color variations between planks may occur; this is inherent to the material and not grounds for claims. As an alternative, a smoked look finish is available. This replicates the appearance of smoked oak, resulting in a more even color distribution across the tabletop.

Brushed finish:

Brushing the table is available at a 10% surcharge. Knots are filled with a two-component resin. This process enhances the natural grain pattern of the wood. Lead time is approximately 8–10 weeks.

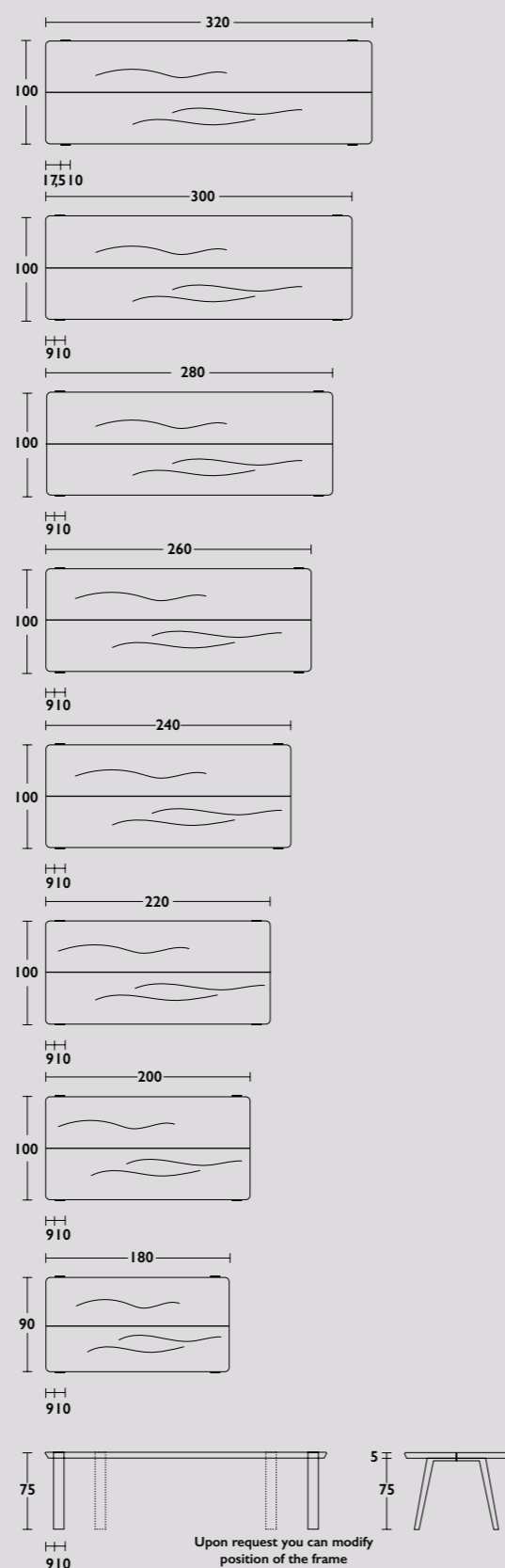
Base:

Rolled steel, cut using laser-cut technology and finished as standard with a dark grey powder coating. Other RAL colors are available upon request at an additional cost. The frame is positioned at the end of the tabletop as standard; alternative positioning is available upon request at no additional cost.

Customization:

Custom dimensions are available upon request. Pricing is based on the next larger standard size plus a 10% surcharge. Example: Desired size 250 x 90 x 75 cm > use the price of 260 x 100 x 75 cm plus a 10% surcharge. The tabletop can also be supplied as a single piece instead of the standard two-part construction at no additional cost. Alternative colors and wood types are available upon request. Please contact us for more information.

Side-to-Side Soft Edge table



Side-to-Side Soft Edge table by QLIV Manufactured in the Netherlands

Approx. dimensions in cm	Version A	Version B	Version C
180 x 90 x 75cm	€ 3.721	€ 3.822	€ 4.754
200 x 100 x 75cm	€ 3.894	€ 3.990	€ 5.130
220 x 100 x 75cm	€ 4.090	€ 4.186	€ 5.441
240 x 100 x 75cm	€ 4.259	€ 4.359	€ 5.772
260 x 100 x 75cm	€ 4.370	€ 4.465	€ 5.949
280 x 100 x 75cm	€ 4.634	€ 4.727	€ 6.274
300 x 100 x 75cm	€ 5.018	€ 5.111	€ 6.762
320 x 100 x 75cm	€ 5.328	€ 5.432	€ 7.067

All listed prices are recommended retail prices and include VAT. Free delivery applies to orders from €1.000 net; otherwise, a shipping fee of €85 will be charged.

Version A: Naturel oiled oak

Version B: Oak finished with **Skyt soap look** lacquer, **smoked Skyt soap look** lacquer, **smoked look** lacquer, **ash grey** lacquer, **stone grey** lacquer, **white wash** lacquer, **cedar** lacquer, **clay brown** lacquer, **carbon** lacquer and **coal black** lacquer.

Version C: American premium walnut, oiled or lacquered

Tabletop and finishes:

Crafted from solid French oak or solid American walnut, both of premium quality and responsibly sourced. Natural versions are finished with linseed oil or a matte transparent lacquer. Stained and lacquered oak finishes are first treated with the desired stain color and then sealed with a matte transparent lacquer. Optionally, oak can also be smoked upon request. This is a natural process using ammonia, which darkens the wood. Due to the natural tannin content, color variations between planks may occur; this is inherent to the material and not grounds for claims. As an alternative, a smoked look finish is available. This replicates the appearance of smoked oak, resulting in a more even color distribution across the tabletop.

Brushed finish:

Brushing the table is available at a 10% surcharge. Knots are filled with a two-component resin. This process enhances the natural grain pattern of the wood. Lead time is approximately 8–10 weeks.

Base:

Rolled steel, cut using laser-cut technology and finished as standard with a dark grey powder coating. Other RAL colors are available upon request at an additional cost. The frame is positioned at the end of the tabletop as standard; alternative positioning is available upon request at no additional cost.

Customization:

Custom dimensions are available upon request. Pricing is based on the next larger standard size plus a 10% surcharge. Example: Desired size 250 x 90 x 75 cm > use the price of 260 x 100 x 75 cm plus a 10% surcharge. The tabletop can also be supplied as a single piece instead of the standard two-part construction at no additional cost. Alternative colors and wood types are available upon request. Please contact us for more information.

Side-to-Side bar table

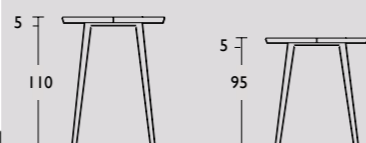
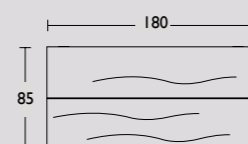
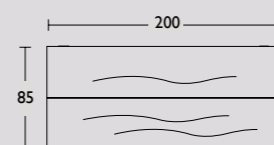
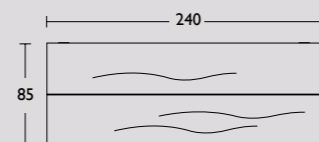
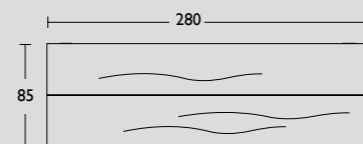
With the distinctive Side-to-Side bar table, QLIV brings both design and functionality into your interior. The tabletop of this robust yet refined piece is crafted from solid French oak and consists of two parts—adding both visual interest and functionality to the design.

The steel frame is produced using laser-cut technology, creating the impression that the table is held together by its construction. The sides of the tabletop are precisely milled, allowing the steel frame to be seamlessly recessed into the wood.

Side-to-Side is a playful design available in a variety of configurations. Opt for a narrower format or a different wood type, or choose a single-piece top instead of the standard two-part version. The frame can also be finished in alternative colors and positioned differently upon request.

With its striking form and combination of materials, Side-to-Side is a distinctive addition to any interior.

Side-to-Side bar table



Side-to-Side bar table by QLIV

Manufactured in the Netherlands

Approx. dimensions in cm	Version A	Version B	Version C
160 x 85 x 95 of 110cm	€ 3.967	€ 4.071	€ 4.935
180 x 85 x 95 of 110cm	€ 4.199	€ 4.310	€ 5.131
200 x 85 x 95 of 110cm	€ 4.392	€ 4.501	€ 5.536
240 x 85 x 95 of 110cm	€ 4.804	€ 4.916	€ 6.228
280 x 85 x 95 of 110cm	€ 5.327	€ 5.492	€ 6.901

All listed prices are recommended retail prices and include VAT. Free delivery applies to orders from €1.000 net; otherwise, a shipping fee of €85 will be charged.

Version A: Naturel oiled oak

Version B: Oak finished with **Skylt soap look** lacquer, **smoked Skylt soap look** lacquer, **smoked look** lacquer, **ash grey** lacquer, **stone grey** lacquer, **white wash** lacquer, **cedar** lacquer, **clay brown** lacquer, **carbon** lacquer and **coal black** lacquer.

Version C: American premium walnut, oiled or lacquered

Tabletop and finishes:

Crafted from solid French oak or solid American walnut, both of premium quality and responsibly sourced. Natural versions are finished with linseed oil or a matte transparent lacquer. Stained and lacquered oak finishes are first treated with the desired stain color and then sealed with a matte transparent lacquer. Optionally, oak can also be smoked upon request. This is a natural process using ammonia, which darkens the wood. Due to the natural tannin content, color variations between planks may occur; this is inherent to the material and not grounds for claims. As an alternative, a smoked look finish is available. This replicates the appearance of smoked oak, resulting in a more even color distribution across the tabletop.

Brushed finish:

Brushing the table is available at a 10% surcharge. Knots are filled with a two-component resin. This process enhances the natural grain pattern of the wood. Lead time is approximately 8–10 weeks.

Base:

Rolled steel, cut using laser-cut technology and finished as standard with a dark grey powder coating. Other RAL colors are available upon request at an additional cost. The frame is positioned at the end of the tabletop as standard; alternative positioning is available upon request at no additional cost.

Customization:

Custom dimensions are available upon request. Pricing is based on the next larger standard size plus a 10% surcharge. Example: Desired size 220 x 85 x 95 or 110 cm > use the price of 240 x 85 x 95 or 110 cm plus a 10% surcharge. Upon request, the tabletop can also be supplied as a single piece instead of the standard two-part construction at no additional cost. Alternative colors and wood types are available upon request at an additional cost. Please contact us for more information.

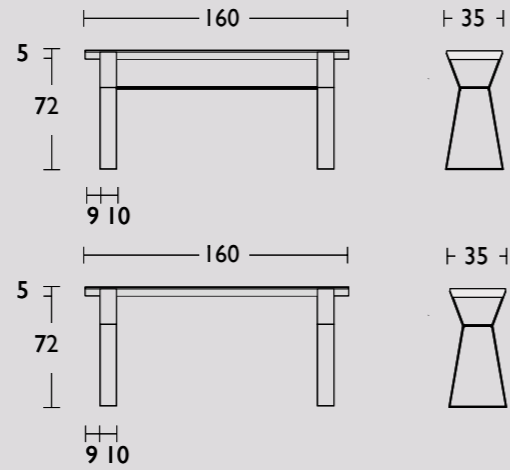
Side-to-Side console

The top of this robust yet refined console table is crafted from solid French oak. The detailed steel frame creates a striking contrast and is produced using laser-cut technology, finished with a powder coating.

The sides of the top are partially milled, allowing the metal frame to be seamlessly recessed into the wood. To enhance functionality, an optional lower shelf—such as in frosted mirror glass—can be added.

With a depth of 35 cm, this console table can also be used as a compact desk.

Side-to-Side console



Side-to-Side console by QLIV

Manufactured in the Netherlands

Approx. dimensions in cm		Version A	Version B	Version C
160 x 35 x 72cm	without lowerlevel shelf	€ 2.676	€ 2.828	€ 3.144
160 x 35 x 72cm	powder coated lowerlevel shelf	€ 2.879	€ 2.979	€ 3.333
160 x 35 x 72cm	frosted mirror lowerlevel shelf	€ 3.134	€ 3.237	€ 3.615
160 x 35 x 72cm	wooden lowerlevel shelf	€ 3.284	€ 3.432	€ 3.828

All listed prices are recommended retail prices and include VAT. Free delivery applies to orders from €1.000 net; otherwise, a shipping fee of €85 will be charged.

Version A: Naturel oiled oak

Version B: Oak finished with **Skylt soap look** lacquer, **smoked Skylt soap look** lacquer, **smoked look** lacquer, **ash grey** lacquer, **stone grey** lacquer, **white wash** lacquer, **cedar** lacquer, **clay brown** lacquer, **carbon** lacquer and **coal black** lacquer.

Version C: American premium walnut, oiled or lacquered

Tabletop and finishes:

Crafted from solid French oak or solid American walnut, both of premium quality and responsibly sourced. Natural versions are finished with linseed oil or a matte transparent lacquer. Stained and lacquered oak finishes are first treated with the desired stain color and then sealed with a matte transparent lacquer. Optionally, oak can also be smoked upon request. This is a natural process using ammonia, which darkens the wood. Due to the natural tannin content, color variations between planks may occur; this is inherent to the material and not grounds for claims. As an alternative, a smoked look finish is available. This replicates the appearance of smoked oak, resulting in a more even color distribution across the tabletop.

Brushed finish:

Brushing the table is available at a 10% surcharge. Knots are filled with a two-component resin. This process enhances the natural grain pattern of the wood. Lead time is approximately 8–10 weeks.

Base:

Rolled steel, cut using laser-cut technology and finished with a dark grey powder coating. Other RAL colors are available upon request at an additional cost. Please contact us for more information.

Lower shelf:

The lower shelf is optional and available in powder-coated steel, matching the frame. It can also be fitted with an additional top in either frosted mirror glass or wood.

Customization:

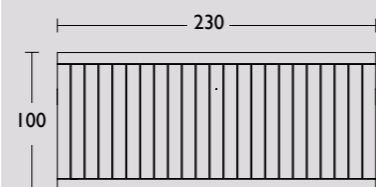
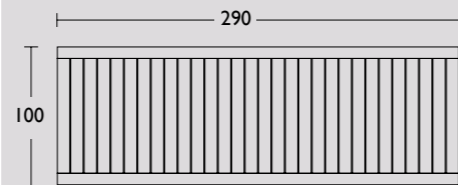
Custom lengths are available upon request. Pricing is based on the next larger standard size plus a 10% surcharge. Example: Desired size 130 x 35 x 72 cm > use the price of 160 x 35 x 72 cm plus a 10% surcharge. Alternative colors and wood types are available upon request at an additional cost. Please contact us for more information.

Side-to-Side outdoor table

With the distinctive Side-to-Side outdoor table, QLIV brings both design and functionality to your outdoor space. The tabletop of this robust yet refined piece is crafted from solid Iroko—an African hardwood of exceptional quality, comparable in color and properties to teak.

The steel frame is produced using laser-cut technology, creating the visual impression that the table is held together by its construction. The sides of the tabletop are precisely milled, allowing the steel frame to be seamlessly recessed into the wood.

Side-to-Side outdoor table



Side-to-Side outdoor table by QLIV

Manufactured in the Netherlands

Approx. dimensions in cm

	Untreated	Colored
230 x 100 x 75cm	€ 3.741	€ 4.174
290 x 100 x 75cm	€ 3.953	€ 4.390

All listed prices are recommended retail prices and include VAT. Free delivery applies to orders from €1.000 net; otherwise, a shipping fee of €85 will be charged.

Available Colors:

Ash Grey and Charcoal Black (a matching care kit is included as standard)

Tabletop:

The tabletop is crafted from solid Iroko wood. This tropical hardwood, originating from Africa, is of exceptionally high quality. Its color and properties are comparable to teak. The wood is certified and sourced through responsible forestry practices.

Base:

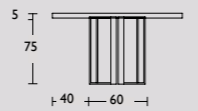
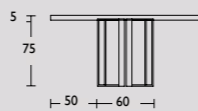
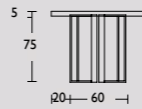
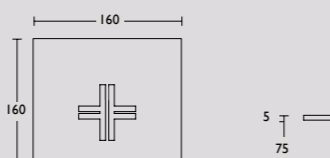
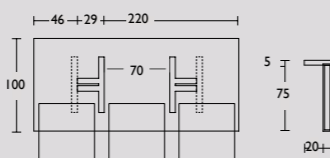
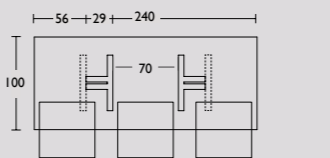
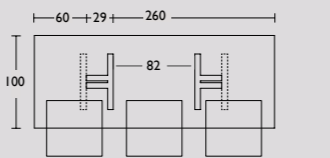
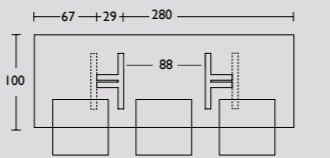
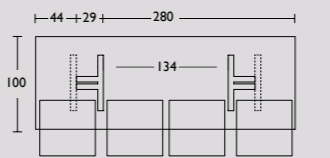
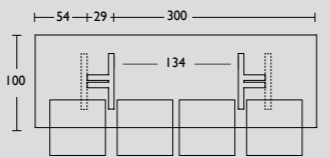
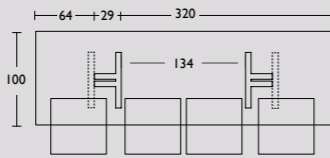
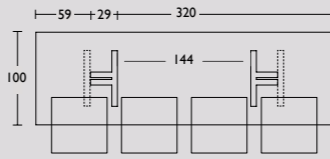
Rolled steel, cut using laser-cut technology and finished as standard with a specialized outdoor coating, available in dark grey powder coating or white (RAL 9010). Other RAL colors are available upon request at an additional cost. The position of the frame is fixed and cannot be adjusted.

T2 table

We, as Dutch designers, value both beauty and functionality. The T2 table (pronounced tee-two) offers the best of both worlds—combining elegance with practicality.

The name not only refers to the shape of its space-saving base; T2—a beautifully symmetrical design from QLIV's in-house studio—also represents the model's versatility, making it suitable for any interior.

T2 table



T2 table design by QLIV

Manufactured in the Netherlands

Approx. dimensions in cm		Version A	Version B	Version C
220 x 100 x 75cm	Rectangular	€ 4.019	€ 4.117	€ 5.436
240 x 100 x 75cm	Rectangular	€ 4.173	€ 4.267	€ 5.673
260 x 100 x 75cm	Rectangular	€ 4.346	€ 4.444	€ 5.935
280 x 100 x 75cm	Rectangular	€ 4.601	€ 4.698	€ 6.304
300 x 100 x 75cm	Rectangular	€ 4.975	€ 5.070	€ 6.869
320 x 100 x 75cm	Rectangular	€ 5.240	€ 5.337	€ 7.262
140 x 140 x 75cm	Square	€ 4.704	€ 4.813	€ 5.101
160 x 160 x 75cm	Square	€ 5.294	€ 5.500	€ 5.691

All listed prices are recommended retail prices and include VAT. Free delivery applies to orders from €1.000 net; otherwise, a shipping fee of €85 will be charged.

Version A: Naturel oiled oak

Version B: Oak finished with **Skylt soap look** lacquer, **smoked Skylt soap look** lacquer, **smoked look** lacquer, **ash grey** lacquer, **stone grey** lacquer, **white wash** lacquer, **cedar** lacquer, **clay brown** lacquer, **carbon** lacquer and **coal black** lacquer.

Version C: American premium walnut, oiled or lacquered

Tabletop and finishes:

Crafted from solid French oak or solid American walnut, both of premium quality and responsibly sourced. Natural versions are finished with linseed oil or a matte transparent lacquer. Stained and lacquered oak finishes are first treated with the desired stain color and then sealed with a matte transparent lacquer. Optionally, oak can also be smoked upon request. This is a natural process using ammonia, which darkens the wood. Due to the natural tannin content, color variations between planks may occur; this is inherent to the material and not grounds for claims. As an alternative, a smoked look finish is available. This replicates the appearance of smoked oak, resulting in a more even color distribution across the tabletop.

Square tabletop:

These tops are finished with French oak veneer or American walnut veneer (responsibly sourced). The same color and finish options apply as for the rectangular tabletops.

Brushed finish:

Brushing the table is available at a 10% surcharge. Knots are filled with a two-component resin. This process enhances the natural grain pattern of the wood. Lead time is approximately 8–10 weeks.

Base:

Rolled steel, cut using laser-cut technology and finished as standard with a black powder coating (RAL 9005). Other RAL colors are available upon request at an additional cost. The position of the frame is standard as shown in the line drawing; alternative positioning is available upon request at no additional cost.

Customization:

Custom dimensions are available upon request. Pricing is based on the next larger standard size plus a 10% surcharge. Example: Desired size 250 x 100 x 75 cm > use the price of 260 x 100 x 75 cm plus a 10% surcharge.

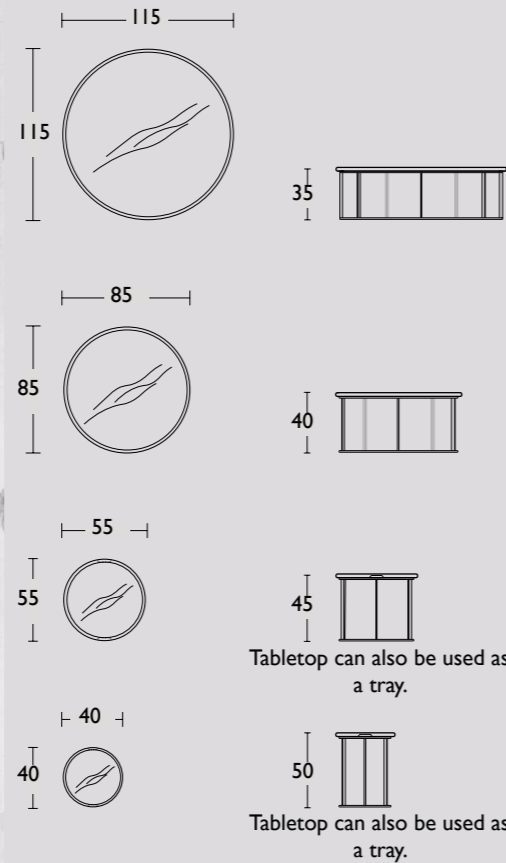
To be Served

A distinctive series of round tables, designed to bring both elegance and a playful character to a variety of interior styles. The signature base of To be Served is crafted from a single piece of steel using laser-cut technology, creating a striking contrast with the solid oak tabletop.

The underside of the detachable tops is conically milled, allowing them to fit seamlessly and securely into the metal frame. For the two smaller sizes, integrated handles make it easy to lift the top and use it as a tray.

The smallest version can also be slid over a sofa, offering added convenience without having to move. To be Served—functional, versatile, and thoughtfully designed.

To be Served round tables



To be served serie round tables by QLIV

Manufactured in the Netherlands

Approx. dimensions in cm	Version A	Version B	Version C
Round 40 Ø x 50cm Tray	€ 985	€ 1.094	€ 1.205
Round 55 Ø x 45cm Tray	€ 1.436	€ 1.535	€ 1.434
Round 85 Ø x 40cm	€ 2.011	€ 2.082	€ 2.035
Round 115 Ø x 35cm	€ 2.609	€ 2.705	€ 2.655

When purchasing a set of three or more tables, you will receive a 5% set discount.

All listed prices are recommended retail prices and include VAT. Free delivery applies to orders from €1.000 net; otherwise, a shipping fee of €85 will be charged.

Version A: Naturel oiled oak

Version B: Oak finished with **SkyIt soap look** lacquer, **smoked SkyIt soap look** lacquer, **smoked look** lacquer, **ash grey** lacquer, **stone grey** lacquer, **white wash** lacquer, **cedar** lacquer, **clay brown** lacquer, **carbon** lacquer and **coal black** lacquer.

Version C: American premium walnut, oiled or lacquered

Table top and finishes:

Crafted from solid French oak or solid American walnut, both of premium quality and responsibly sourced. Natural versions are finished with linseed oil or a matte transparent lacquer. Stained and lacquered oak finishes are first treated with the desired stain color and then sealed with a matte transparent lacquer. Optionally, oak can also be smoked upon request. This is a natural process using ammonia, which darkens the wood. Due to the natural tannin content, color variations between planks may occur; this is inherent to the material and not grounds for claims. As an alternative, a smoked look finish is available. This replicates the appearance of smoked oak, resulting in a more even color distribution across the tabletop.

Brushed finish:

Brushing the table is available at a 10% surcharge. Knots are filled with a two-component resin. This process enhances the natural grain pattern of the wood. Lead time is approximately 8–10 weeks.

Base:

Rolled steel, cut using laser-cut technology and finished with a black (RAL 9005) or bronze powder coating. Other RAL colors are available upon request at an additional cost. Please contact us for more information.

Additional option:

Sizes 40 cm and 55 cm are supplied as standard with a loose top, which can also be used as a tray. Upon request, the tops can be fixed to the base. In that case, the handles will be omitted at no additional cost.



QLIV

DUTCH CRAFTSMANSHIP