



**QLIV** a dutch design label

# price list 2022

Recommended retail prices



Copyright © 2022 QLIV

**Office en Showroom Nederland**

QLIV / T.T.Vasumweg 140 / 1033 SH Amsterdam / The Netherlands

**Showroom België**

QLIV / Londenstraat 160 / 9000 Gent / België

**Contact en Social media**

+31 85 130 1844 / info@QLIV.com / QLIV.com



qliv\_collection

**Disclaimer**

Despite our efforts of carefully creating the content of this price list, it may occur that some information in this price list is incomplete, outdated and/or incorrect. Therefore the content of this price list is provided to you without any form of guarantee or liability on its accuracy. Of course we do all our best to make and keep the information as complete as possible. QLIV reserves the right to alter the contents of this price list and this disclaimer at any time or remove it without notification.

**Liability**

QLIV is not liable for any damage or other harmful consequences by the use of information obtained from this price list.

**Price changes, text or printing errors**

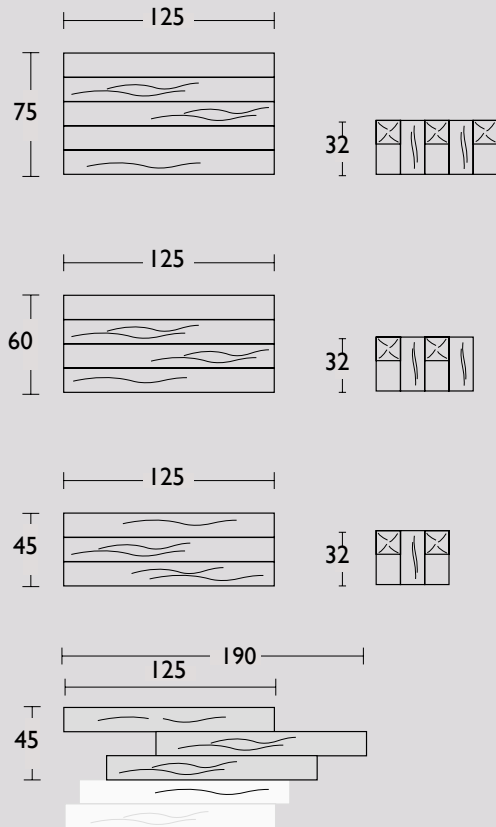
QLIV makes reservations for price alterations, text or printing errors and products that are no longer available. All prices are recommended retail prices. incl. vat.

<b>Adjust</b>		<b>4</b>
<b>Air 65 &amp; Fat Air 65</b>		<b>6</b>
<b>Bridge</b>		<b>8</b>
<b>Cambria Serie</b>		<b>10</b>
<b>Coco</b>		<b>16</b>
<b>Cross</b>		<b>18</b>
<b>Crossings</b>		<b>22</b>
<b>Flared sofa</b>		<b>24</b>
<b>Founded serie</b>		<b>30</b>
<b>Mingle</b>		<b>34</b>
<b>Mito</b>		<b>36</b>
<b>On Top</b>		<b>38</b>
<b>On Top Chair</b>		<b>42</b>
<b>Side-to-Side Serie</b>		<b>44</b>
<b>T2</b>		<b>54</b>
<b>To be served</b>		<b>56</b>

### Adjust coffee table

We are proud to introduce our unique coffee table Adjust, a bold modern design made with solid French oak heartwood. As its name suggests, Adjust is ingeniously designed so that you can customize it in different ways to create a coffee table tailored to any space. The basic design employs three wooden beam elements. Using a hidden mechanism, you can slide each beam individually to vary the table width from 125 cm (49 inches) up to 190 cm (75 inches). The length of the table can be increased to any desired extent simply by adding more beam elements. This flexibly proportioned design thus invites you to create a playful combination of elements or a clean modern look in keeping with your preferences and living space.

### Adjust





# Adjust coffee table design by QLIV

Manufactured in the Netherlands

Aprox. size in cm.		Finish A	Finish B
Set of 3 beams	45 x 125/190 x 32cm	€ 1.491	€ 1.563
Set of 4 beams	60 x 125/190 x 32cm	€ 1.988	€ 2.084
Set of 5 beams	75 x 125/190 x 32cm	€ 2.485	€ 2.605
Set of 6 beams	90 x 125/190 x 32cm	€ 2.982	€ 3.126
Set of 7 beams	105 x 125/190 x 32cm	€ 3.479	€ 3.647
Set of 8 beams	120 x 125/190 x 32cm	€ 3.976	€ 4.168
Set of 9 beams	135 x 125/190 x 32cm	€ 4.473	€ 4.689
Set of 10 beams	150 x 125/190 x 32cm	€ 4.970	€ 5,210

Every extra wooden beam in finish A cost 497,- Euro a piece and in Finish B 521,- Euro. The size of one wooden beam is aprox. 15 x 125cm

**All prices quoted are suggested retail prices. Free delivery in the Netherlands from 800,-Euro net otherwise 55,- Euro freight and handling costs.**

**Finish A:** naturel oak oil, soaped oak, smoked oak oil.

**Finish B:** “Coal” black waxed.

#### **Wooden beams:**

Solid French oak (responsible harvest wood)

Natural versions are being treated with linseed oil or soap. The smoking is a natural process which is done with ammoniac. The smoking process brings out the natural dark brown color. The “Coal” black version is treated with a wax..

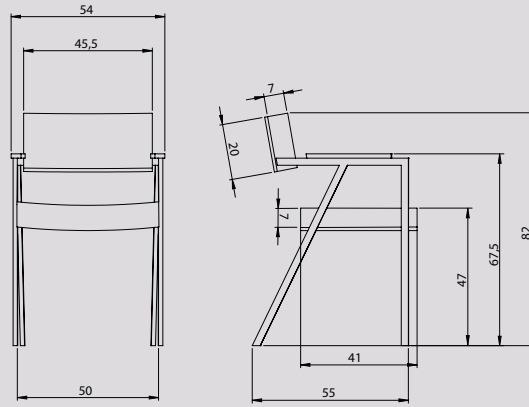
#### **Frame (invisible):**

Rolled steel finished with a transparent coating to make it more durable. Different colors or wood are possible upon request.

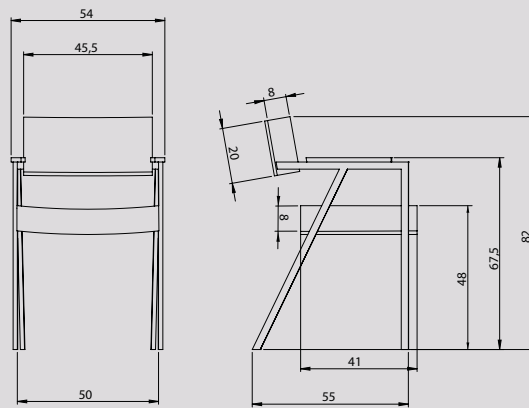
### Air 65 and Fat Air 65

Even when it feels like every chair is already made, how can we create a chair that feels new? The 'Air 65' is based on one clear concept: no-nonsense design, comfortable and without any decoration. The Air 65 chair has a comfortable, wide seat. The only visible constructive element is the connection of the backrest. The solid designed legs, constructed out of subtle tubes and the rough seat & backrest, give this chair a modest but exciting character.

### Air 65



### Fat Air 65





# Air 65 and Fat Air 65 chair design by Anton de Groof

Manufactured in the Netherlands

	Fabric Group 1	Fabric Group 2	Fabric Group 3	Fabric Group 4	Fabric Group 5	Leather Angler/Madura	Leather Devon	Leather Colorado
<b>Air 65</b> 0,9 m fabric /2,5 m <sup>2</sup> leather	€ 676	€ 698	€ 727	€ 757	€ 787	€ 795	€ 897	€ 991
<b>Fat Air 65</b> 1,0 m fabric /2,5 m <sup>2</sup> leather	€ 696	€ 728	€ 757	€ 788	€ 807	€ 898	€ 977	€ 1.058

**All prices quoted are suggested retail prices. Free delivery in the Netherlands from 800,-Euro net otherwise 55,- Euro freight and handling costs.**

**Fabric group 1:** Ingezonden stof / Burra, (6) / Gomesa, (6) / Isler, (6) / Milton, (6).

**Fabric group 2:** Lazio, (6) / Tamil, (6) / Manolo, (3) / Vivid, (1).

**Fabric group 3:** Oia, (6) / Bagan, (6) / Remix, (2) / Maple, (2) / Goby, (4) / Osino, (1) / Monza, (1) / Monza Melange, (1) / Alto, (1) / Moss, (1) / Prairie, (1).

**Fabric group 4:** Hallingdal 65, (2) / Steelcut, (2) / Steelcut trio, (2) / Tonus, (2) / Divina, (2) / Tonica, (2) / Fiord, (2) / Clay, (2) / Safire, (5) / Umbra, (1) / Serra, (1) / Re-Wool, (1).

**Fabric group 5:** Moss, (5) / Twill Weave, (2) / Twinwool, (1) / Ploegwool, (1) / Panama, (1) / Panamaplus, (1).

1 deploeg: 2 kvadrat 3 aristide 4 ROMO 5 SAHCO 6 QLV

## **Body:**

The body is made up of various foam hardnesses. Furthermore, it is reinforced with an invisible wooden and metal construction.

## **Base:**

Steel powder coated in the colors black (RAL9005) and white (RAL9010). Other RAL colors are possible upon request. All chairs come standard with glides and felt glides and are available upon request.

## **Armrest:**

Solid oak standard in black, smoked oak and natural oak stain and finished with a matte transparent varnish. Also available in other options on request.

## **Stitching:**

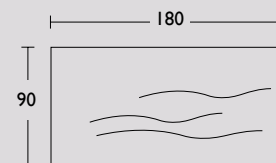
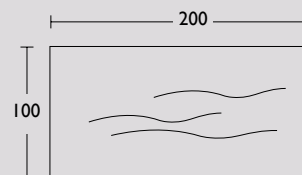
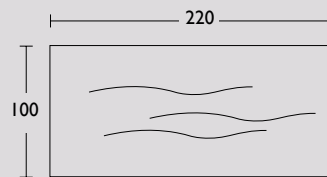
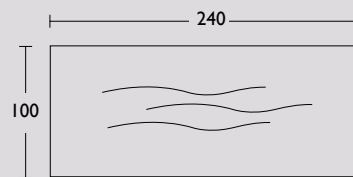
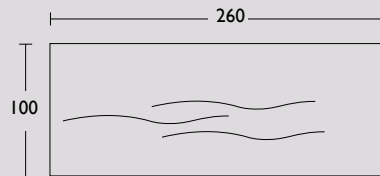
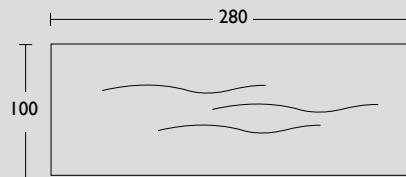
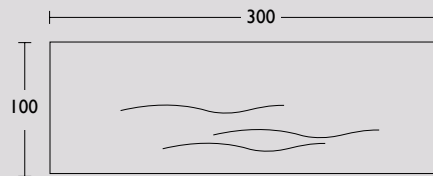
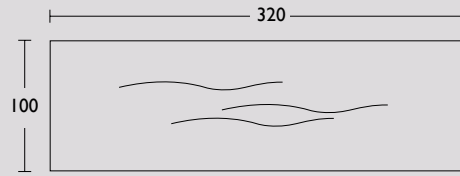
Fabric and leather version standard with Moccasin stitching. Double seam stitching possible upon request.

## Bridge table

Our bold yet refined Bridge table is inspired by the bridges of the Dutch landscape and their symbolism. Providing ready connection between otherwise inaccessible points, bridges enable people to come together and connect. In the social sphere of living spaces, that is exactly what the Bridge table is designed to accomplish, its solid form and splayed legs referencing the structures that inspired it. Herein lies its distinctive visual power that will energize any domestic interior. Like the structures that inspired it, the Bridge table is both strong and beautifully detailed. The legs are created using special laser cut-technology. Their exterior sides are milled to be seamlessly engaged by a bold steel frame. The robust table top is made from French solid oak. This unique design is available in a variety of standard sizes and color finishes. Moreover it can be customized to fit your personal taste and space needs.

For example choose a wider or a more narrow size table top or modify the position of the beautiful legs. Modifications like these will allow you to create the perfect table to bring people together and connect!

## Bridge table





# Bridge table design by QLIV

Manufactured in the Netherlands

Aprox. size in cm.	Finish A	Finish B	Finish C
180 x 90 x 75cm	€ 3.400	€ 3.484	€ 3.933
200 x 100 x 75cm	€ 3.484	€ 3.611	€ 4.058
220 x 100 x 75cm	€ 3.611	€ 3.737	€ 4.220
240 x 100 x 75cm	€ 3.759	€ 3.885	€ 4.417
260 x 100 x 75cm	€ 3.927	€ 4.054	€ 4.615
280 x 100 x 75cm	€ 4.118	€ 4.244	€ 4.848
300 x 100 x 75cm	€ 4.329	€ 4.455	€ 5.118
320 x 100 x 75cm	€ 4.540	€ 4.667	€ 5.369

**All prices quoted are suggested retail prices. Free delivery in the Netherlands from 800,-Euro net otherwise 55,- Euro freight and handling costs.**

**Finish A:** soaped oak, natural oak oil, smoked oak oil.

**Finish B:** Skylt soap look, smoked Skylt soap look, smoked natural, white wash, ash grey, stone grey, carbon, smoked aged, coal black oak laquered.

**Finish C:** natural American walnut oil.

### **Table top:**

Solid French Oak (responsible harvest wood)

Natural versions are being treated with linseed oil or soap. The smoking is a natural process which is done with ammonia. The smoking process brings out the natural dark brown color. Color differences may occur because of the variety of acid in the wood. The "aged", "ash grey", "coal black" and "white wash" oak versions are first stained and finished with a matt transparent lacquer. Skylt is a lacquer which is applied in multiple matt layers and gives the product a more natural and untreated look and feel. Natural and Smoked oak (Finish A) are also available in a matt lacquered version upon request.

The price for this is equal to Finish B.

### **Brushed:**

Brushing of the tabletop is possible upon request with a surcharge of 10%. Knots are filled with 2 compartments of resin. The brushing process ensures a stronger drawing of the grain of the wood. Delivery time will be 8-10 weeks.

### **Frame:**

Laser cut rolled steel powder coated in the color dark grey (other colors are possible upon request with a surcharge of 10%) The position of the frame can be changed upon request. Standard we will position the frame at the end.

### **Custom size:**

Custom size is possible on request. Price will be the size above + 10%

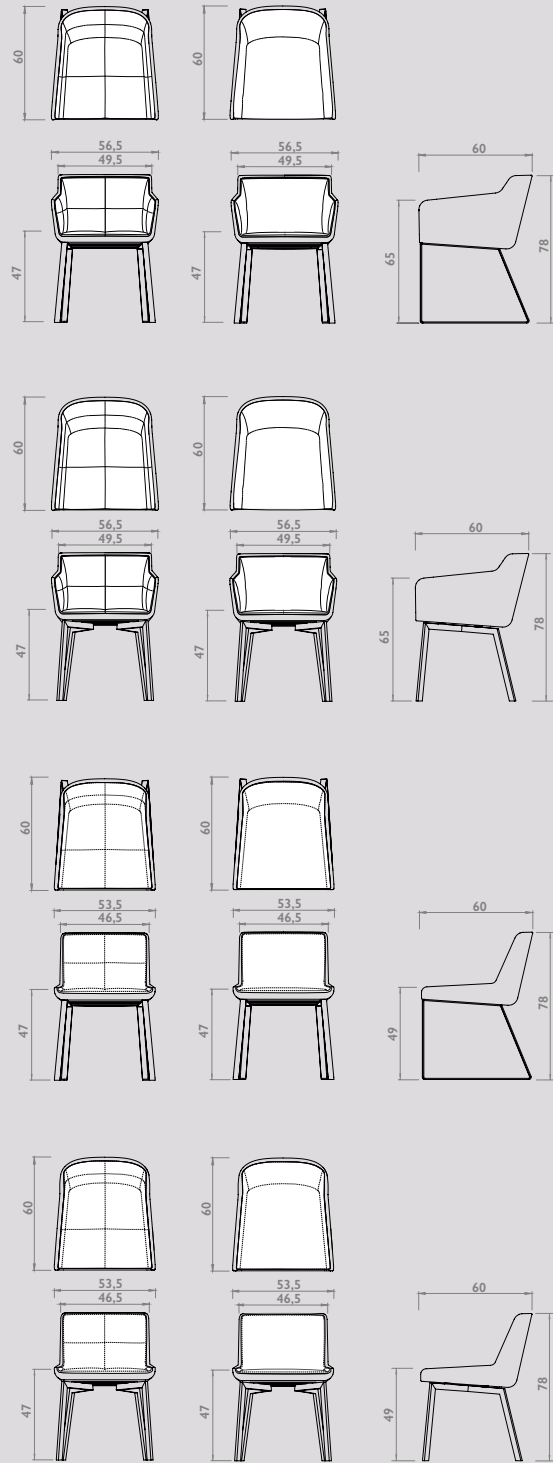
For example: price for a custom size 260 x 90 x 75cm will be the price of the standard size 260 x 100cm + 10% surcharge.

Different colors or wood are possible upon request. Please contact our office for more information.

### Cambria chair

Inspired by the beautiful orchid species from which it takes its name, the Cambria chair exhibits a crisp, lean exterior line and a soft, inviting interior. An elegant, curved shell, realized using advanced foam injection techniques, sits on a bold, powder-coated steel linear base, the resulting contrast in form and feel producing a memorable design. The sustainable technology used in the Cambria's production ensures its superior quality, light weight, and remarkable ergonomic comfort. The luxurious cushioned lining is detachable and, when time demands it, can be recovered or replaced. Moreover, the Cambria is available in many different colors and materials, allowing for a highly personalized appearance. This is, in short, a chair that is visually striking at the dining table, yet so comfortable that you can use it for a long day's work.

### Cambria chair



Cushion stitched

Cushion smooth





# Cambria chair design by Sven Schimmer

Manufactured in the Netherlands

	Fabric Group 1	Fabric Group 2	Fabric Group 3	Fabric Group 4	Fabric Group 5	Leather Angler/Madura	Leather Devon	Leather Colorado
<b>Cambria body with arms (4-leg or sled)</b> 1,15 m fabric/2,3 m <sup>2</sup> leather	€762	€819	€880	€947	€1.018	€975	€1.047	€1.204
Cushion stitched 1,1 m fabric/2,0 m <sup>2</sup> leather	€315	€339	€364	€391	€421	€743	€673	€771
Cushion smooth 1,0 m fabric /1,5 m <sup>2</sup> leather	€258	€278	€299	€321	€346	€444	€484	€557
<b>Cambria body without arms (4-leg or sled)</b> 0,9 m fabric /1,7 m <sup>2</sup> leather	€685	€736	€792	€851	€915	€899	€971	€1.115
Cushion stitched 0,7 m fabric /1,5 m <sup>2</sup> leather	€281	€302	€325	€350	€376	€611	€638	€733
Cushion smooth 0,7 m fabric /1,5 m <sup>2</sup> leather	€258	€278	€299	€321	€346	€444	€484	€557

**The price of a complete chair consists of the price of the chair + cushion.**

**All prices quoted are suggested retail prices. Free delivery in the Netherlands from 800,-Euro net otherwise 55,- Euro freight and handling costs.**

**Fabric group 1:** Ingezonden stof / Burra, (6) / Gomesa, (6) / Isler, (6) / Milton, (6).

**Fabric group 2:** Lazio, (6) / Tamil, (6) / Manolo, (3) / Vivid, (1).

**Fabric group 3:** Oia, (6) / Bagan, (6) / Remix, (2) / Maple, (2) / Goby, (4) / Osino, (1) / Monza, (1) / Monza Melange, (1) / Alto, (1) / Moss, (1) / Prairie, (1).

**Fabric group 4:** Hallingdal 65, (2) / Steelcut, (2) / Steelcut trio, (2) / Tonus, (2) / Divina, (2) / Tonica, (2) / Fiord, (2) / Clay, (2) / Safire, (5) / Umbra, (1) / Serra, (1) / Re-Wool, (1).

**Fabric group 5:** Moss, (5) / Twill Weave, (2) / Twinwool, (1) / Ploegwool, (1) / Panama, (1) / Panamaplus, (1).

1 de ploeg: 2 kvadrat 3 cristide 4 R.O.M.O 5 SAHCO 6 Q-LIV

## Body:

The body is made with injected foam and strenghtend with a invisible metal frame inside.

## Sled base:

Laser cut rolled steel powder coated in the color dark grey. Other RAL colors are possible upon request with an additional cost. All chairs come standard with caps and felt glides and are suitable for hard and soft floors.

## 4-leg base:

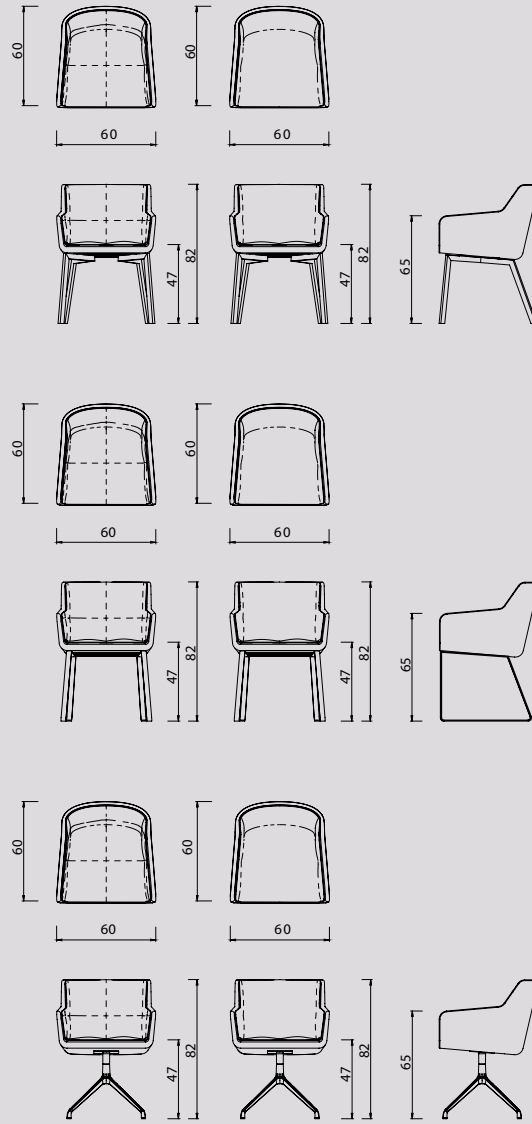
Laser cut rolled steel powder coated in the color black (RAL 9005) or bronze powder coat. Other RAL colors are possible upon request with an additional cost. All chairs come standard with caps and felt glides and are suitable for hard and soft floors.

**Cambria XL chair and armchair**

Inspired by the beautiful orchid species from which it takes its name, the Cambria chair exhibits a crisp, lean exterior line and a soft, inviting interior. An elegant, curved shell, realized using advanced foam injection techniques, sits on a bold, powder-coated steel linear base, the resulting contrast in form and feel producing a memorable design. The sustainable technology used in the Cambria's production ensures its superior quality, light weight, and remarkable ergonomic comfort. The luxurious cushioned lining is detachable and, when time demands it, can be recovered or replaced. Moreover, the Cambria is available in many different colors and materials, allowing for a highly personalized appearance. This is, in short, a chair that is visually striking at the dining table, yet so comfortable that you can use it for a long day's work.

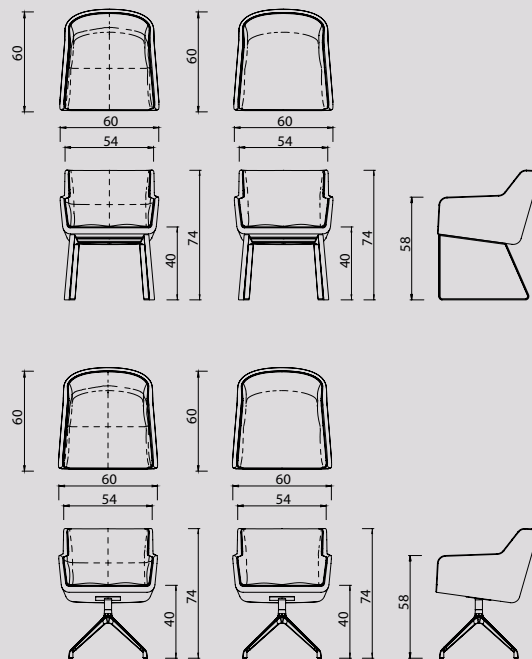


**Cambria XL chair**



Cushion stitched    Cushion smooth

**Cambria armchair**



Cushion stitched    Cushion smooth



# Cambria XL chair and armchair design by Sven Schimmer

Manufactured in the Netherlands

	Fabric Group 1	Fabric Group 2	Fabric Group 3	Fabric Group 4	Fabric Group 5	Leather Angler/Madura	Leather Devon	Leather Colorado
<b>Cambria XL body</b> (4- leg, sled or swivel base) 1,25 m fabric /2,5 m <sup>2</sup> leather	€839	€901	€969	€1.042	€1.120	€1.115	€1.286	€1.478
Cushion stitched 1,2 m fabric /2,3 m <sup>2</sup> leather	€386	€414	€446	€479	€515	€741	€754	€866
Cushion smooth 1,1 m fabric /1,6 m <sup>2</sup> leather	€269	€289	€311	€333	€358	€466	€533	€612
<b>Cambria armchair</b> (4- leg, sled or swivel base) 1,25 m fabric /2,5 m <sup>2</sup> leather	€923	€993	€1.068	€1.148	€1.233	€1.228	€1.414	€1.626
Cushion stitched 1,2 m fabric /2,3 m <sup>2</sup> leather	€386	€414	€446	€479	€515	€742	€754	€866
Kussen smooth 1,1 m fabric /1,6 m <sup>2</sup> leather	€269	€289	€310	€333	€358	€466	€533	€612

**The price of a complete chair consists of the price of the chair + cushion.**

**All prices quoted are suggested retail prices. Free delivery in the Netherlands from 800,-Euro net otherwise 55,- Euro freight and handling costs.**

**Fabric group 1:** Ingezonden stof / Burra, (6) / Gomesa, (6) / Isler, (6) / Milton, (6).

**Fabric group 2:** Lazio, (6) / Tamil, (6) / Manolo, (3) / Vivid, (1).

**Fabric group 3:** Oia, (6) / Bagan, (6) / Remix, (2) / Maple, (2) / Goby, (4) / Osino, (1) / Monza, (1) / Monza Melange, (1) / Alto, (1) / Moss, (1) / Prairie, (1).

**Fabric group 4:** Hallingdal 65, (2) / Steelcut, (2) / Steelcut trio, (2) / Tonus, (2) / Divina, (2) / Tonica, (2) / Fiord, (2) / Clay, (2) / Safire, (5) / Umbra, (1) / Serra, (1) / Re-Wool, (1).

**Fabric group 5:** Moss, (5) / Twill Weave, (2) / Twinwool, (1) / Ploegwool, (1) / Panama, (1) / Panamaplus, (1).

1 depløeg 2 kvadrat 3 aristide 4 ROMO 5 SAHCO 6 QLIV

## Body:

The body is made with injected foam and strenghtend with a invisible metal frame inside.

## Sled base:

Laser cut rolled steel powder coated in the color dark grey. Other RAL colors are possible upon request with an additional cost. All chairs come standard with caps and felt glides and are suitable for hard and soft floors.

## 4-leg base:

Laser cut rolled steel powder coated in the color black (RAL 9005) or bronze powder coat. Other RAL colors are possible upon request with an additional cost. All chairs come standard with caps and felt glides and are suitable for hard and soft floors.

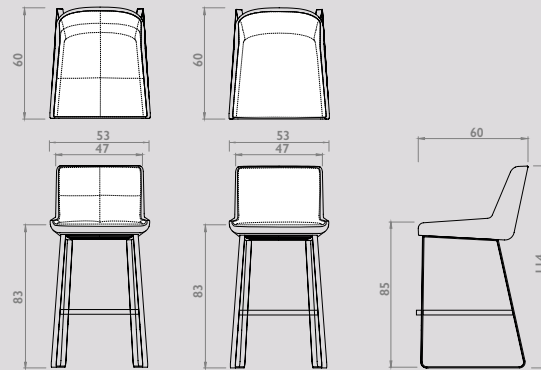
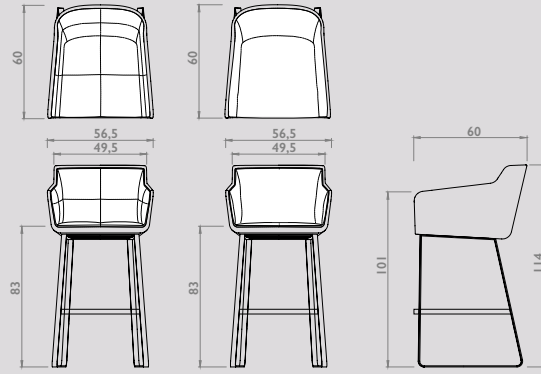
## Swivel base:

Aluminum swivel base available in the colors matt black powder coated or polished. All chairs are supplied with rubber caps as standard and are suitable for hard and soft floors.

### Cambria bar- and counter chair

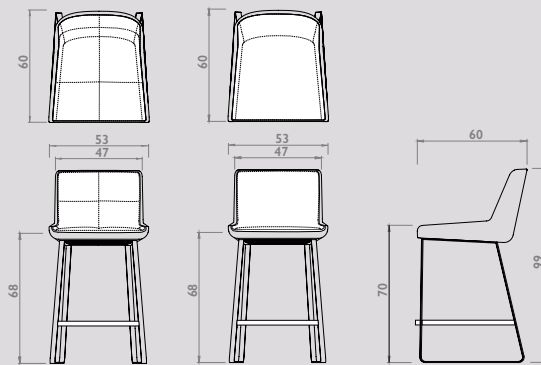
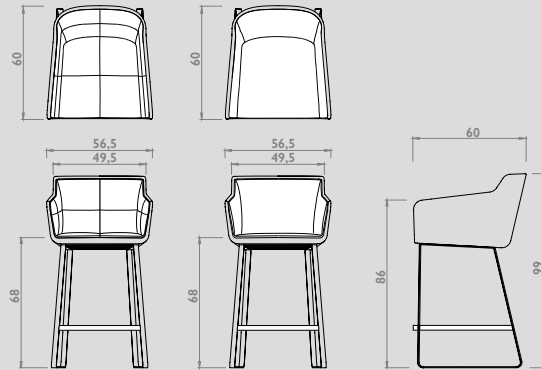
Inspired by the beautiful orchid species from which it takes its name, the Cambria chair exhibits a crisp, lean exterior line and a soft, inviting interior. An elegant, curved shell, realized using advanced foam injection techniques, sits on a bold, powder-coated steel linear base, the resulting contrast in form and feel producing a memorable design. The sustainable technology used in the Cambria's production ensures its superior quality, light weight, and remarkable ergonomic comfort. The luxurious cushioned lining is detachable and, when time demands it, can be recovered or replaced. Moreover, the Cambria is available in many different colors and materials, allowing for a highly personalized appearance. This is, in short, a chair that is visually striking at the dining table, yet so comfortable that you can use it for a long day's work.

### Cambria bar chair

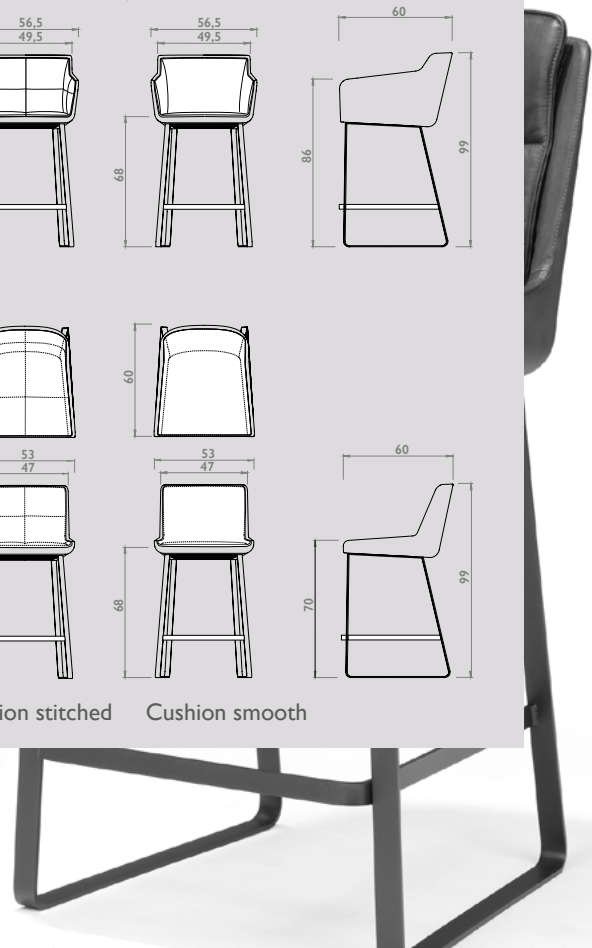


Cushion stitched    Cushion smooth

### Cambria counter chair



Cushion stitched    Cushion smooth



# Cambria bar- and counter chair design by Sven Schimmer

Manufactured in the Netherlands

	Fabric Group 1	Fabric Group 2	Fabric Group 3	Fabric Group 4	Fabric Group 5	Leather Angler/Madura	Leather Devon	Leather Colorado
<b>Cambria bar chair with arms</b> 1,15 m fabric/ 2,3 m <sup>2</sup> leather	€905	€973	€1.047	€1.125	€1.210	€1.115	€1.187	€1.364
Cushion stitched 1,1 m fabric / 2,0 m <sup>2</sup> leather	€315	€339	€357	€392	€421	€611	€670	€771
Cushion smooth 1,0 m fabric / 1,5 m <sup>2</sup> leather	€258	€278	€299	€321	€346	€444	€484	€557
<b>Cambria bar chair without arms</b> 0,9 m fabric / 1,7 m <sup>2</sup> leather	€828	€891	€957	€1.029	€1.106	€1.040	€1.111	€1.278
Cushion stitched 0,7 m fabric / 1,5 m <sup>2</sup> leather	€281	€303	€326	€350	€376	€580	€638	€733
Cushion smooth 0,7 m fabric / 1,5 m <sup>2</sup> leather	€258	€278	€299	€321	€346	€444	€484	€557
<b>Cambria counter chair with arms</b> 1,15 m fabric/ 2,3 m <sup>2</sup> leather	€905	€973	€1.047	€1.125	€1.210	€1.115	€1.187	€1.364
Cushion stitched 1,1 m fabric / 2,0 m <sup>2</sup> leather	€315	€339	€357	€392	€421	€611	€670	€771
Cushion smooth 1,0 m fabric / 1,5 m <sup>2</sup> leather	€258	€278	€299	€321	€346	€444	€484	€557
<b>Cambria counter chair without arms</b> 0,9 m fabric / 1,7 m <sup>2</sup> leather	€828	€891	€957	€1.029	€1.106	€1.040	€1.111	€1.278
Cushion stitched 0,7 m fabric / 1,5 m <sup>2</sup> leather	€281	€303	€326	€350	€376	€580	€638	€733
Cushion smooth 0,7 m fabric / 1,5 m <sup>2</sup> leather	€258	€278	€299	€321	€346	€444	€484	€557

**The price of a complete chair consists of the price of the chair + cushion.**

**All prices quoted are suggested retail prices. Free delivery in the Netherlands from 800,-Euro net otherwise 55,- Euro freight and handling costs.**

**Fabric group 1:** Ingezonden stof / Burra, (6) / Gomesa, (6) / Isler, (6) / Milton, (6).

**Fabric group 2:** Lazio, (6) / Tamil, (6) / Manolo, (3) / Vivid, (1).

**Fabric group 3:** Oia, (6) / Bagan, (6) / Remix, (2) / Maple, (2) / Goby, (4) / Osino, (1) / Monza, (1) / Monza Melange, (1) / Alto, (1) / Moss, (1) / Prairie, (1).

**Fabric group 4:** Hallingdal 65, (2) / Steelcut, (2) / Steelcut trio, (2) / Tonus, (2) / Divina, (2) / Tonica, (2) / Fiord, (2) / Clay, (2) / Safire, (5) / Umbra, (1) / Serra, (1) / Re-Wool, (1).

**Fabric group 5:** Moss, (5) / Twill Weave, (2) / Twinwool, (1) / Ploegwool, (1) / Panama, (1) / Panamaplus, (1).

1 deploeg 2 kvadrat 3 aristide 4 ROMO 5 SAHCO 6 QLV

## Body:

The body is made with injected foam and strenghtend with a invisible metal frame inside.

## Sled base:

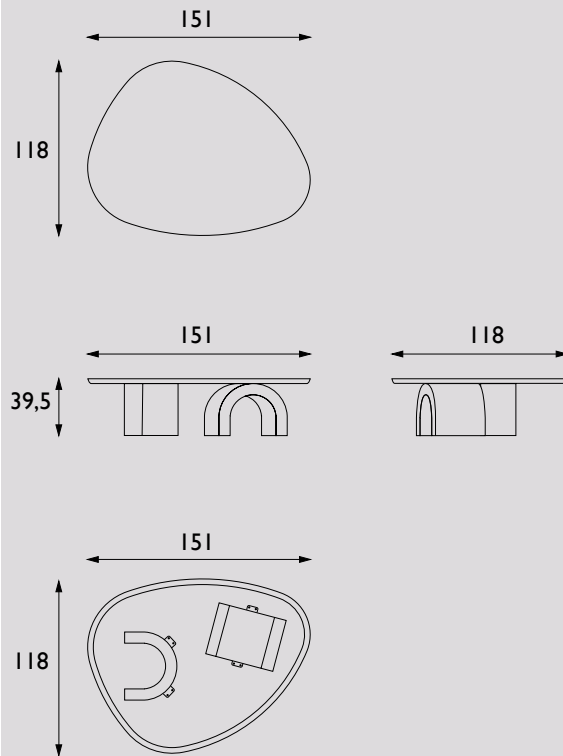
Laser cut rolled steel powder coated in the color dark grey. Other RAL colors are possible upon request with an additional cost. All chairs come standard with caps and felt glides and are suitable for hard and soft floors.



### Coco coffee table

The latest addition to the QLIV collection is coffee table Coco. An innovative design by Carolina Wilcke whose work can be characterized as pure and clear, pursuing the perfect aesthetic proportions. Coffee table Coco is an extremely refined eye catcher. With this design Wilcke pays tribute to traditional woodworking. The uncomplicated geometric objects that form the base of the table are a fine example of craftsmanship and make this table unique. This coffee table is a spacious sculpture that gives a different, inviting composition from every position and angle. The design is sturdy and elegant, refined, and surprising, design features that make designer Wilcke and QLIV a perfect match. Coco is available in oak, beech, and American walnut. The top is also available in travertine, a beautiful natural material that comes in several natural shades.

### Coco coffee table



# Coco coffee table design by Carolina Wilcke

Manufactured in the Netherlands

## Finish

## Price

Solid walnut base and table top	€ 6.192
Solid walnut base and Travertine table top	€ 6.450
Solid oak base and table top	€ 4.995
Solid oak base and Travertine table top	€ 5.550

**All prices quoted are suggested retail prices. Free delivery in the Netherlands from 800,-Euro net otherwise 55,- Euro freight and handling costs.**

**Solid french oak:** soaped oak, natural oak oil. **Skyt soap look, white wash, ash grey, stone grey, carbon, coal black** oak laquered.

**Solid walnut:** natural American walnut oil.

### **Table top and base:**

Solid French Oak (responsible harvest wood)

Natural versions are being treated with linseed oil or soap. The “ash grey”, “stone grey”, “carbon”, “coal black” and “white wash” oak versions are first stained and finished with a mat transparent lacquer. Skyt is a lacquer which is applied in multiple matt layers and gives the product a more natural and untreated look and feel.

### **Travertine table top:**

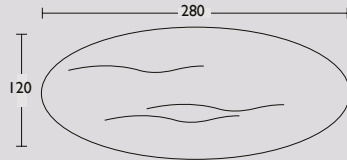
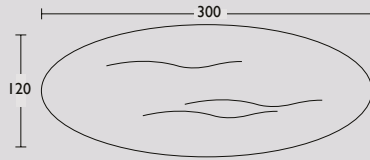
Solid natural stone Travertine untreated with an open structure. Color differences are inherent to this product and should be considered normal.

Wipe weekly with an acid-free cleaning product. As soon as there is spillage, immediately clean with water and do not leave anything on the table top.

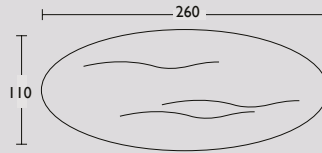
## Cross table

Architectural and elegant, that's the new Cross table. For her very first design for Qliv Dutch designer Carolina Wilcke was inspired by Art Deco architecture, such as the Empire State Building in New York. As elegant and robust as that building is the characteristic cross base of the table, from which the design owes its name. Because of the central position of the foot, made of black steel, it is very easy to put chairs around it: the base is never in the way. Cross is available with a rectangular or oval table top, made of European oak. Caroline Wilcke: 'The Art Deco movement combined Modernist forms with rich materials, just like the Cross table.'

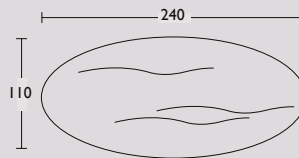
## Cross table Oval



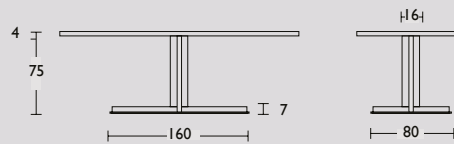
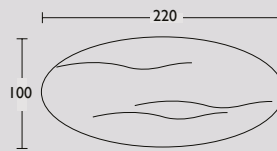
**Quick shipment**



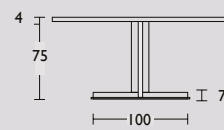
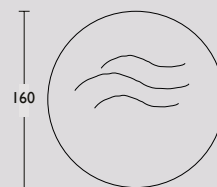
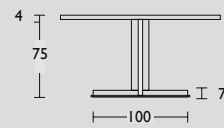
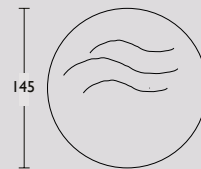
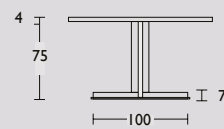
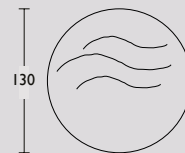
**Quick shipment**



**Quick shipment**



## Cross table Round





# Cross table design by Carolina Wilcke

Manufactured in the Netherlands

Aprox. size in cm.		Finish A	Finish B	Finish C
220 x 100 x 75cm	Oval	€ 3.872	€ 3.951	€ 5.098
<b>240 x 110 x 75cm</b>	<b>Oval</b>	<b>€ 4.031</b>	<b>€ 4.110</b>	€ 5.342
<b>260 x 110 x 75cm</b>	<b>Oval</b>	<b>€ 4.238</b>	<b>€ 4.317</b>	€ 5.631
<b>280 x 120 x 75cm</b>	<b>Oval</b>	<b>€ 4.495</b>	<b>€ 4.574</b>	€ 5.998
300 x 120 x 75cm	Oval	€ 4.693	€ 4.772	€ 6.313
130 Ø x 75cm	Round	€ 3.771	€ 3.941	€ 5.016
145 Ø x 75cm	Round	€ 4.050	€ 4.201	€ 5.230
160 Ø x 75cm	Round	€ 4.352	€ 4.521	€ 5.444

**QUICK SHIPMENT:** The standard sizes 240, 260 en 280cm are stock items and can be ready within 2 or 3 weeks if stated on the order. With the exception of Finish C.

All prices quoted are suggested retail prices. Free delivery in the Netherlands from 800,-Euro net otherwise 55,- Euro freight and handling costs.

**Finish A:** soaped oak, natural oak oil, smoked oak oil.

**Finish B:** Skylt soap look, smoked Skylt soap look, smoked natural, white wash, ash grey, stone grey, carbon, smoked aged, coal black oak laquered.

**Finish C:** natural American walnut oil.

### Table top:

Solid French Oak (responsible harvest wood)

Natural versions are being treated with linseed oil or soap. The smoking is a natural process which is done with ammonia. The smoking process brings out the natural dark brown color. Color differences may occur because of the variety of acid in the wood.

The "aged", "ash grey", "coal black" and "white wash" oak versions are first stained and finished with a mat transparent lacquer.

Skylt is a lacquer which is applied in multiple matt layers and gives the product a more natural and untreated look and feel. Natural and Smoked oak (Finish A) are also available in a matt lacquered version upon request.

The price for this is equal to Finish B.

### Brushed:

Brushing of the tabletop is possible upon request with a surcharge of 10%. Knots are filled with 2 compartments of resin. The brushing process ensures a stronger drawing of the grain of the wood. Delivery time will be 8-10 weeks.

### Frame:

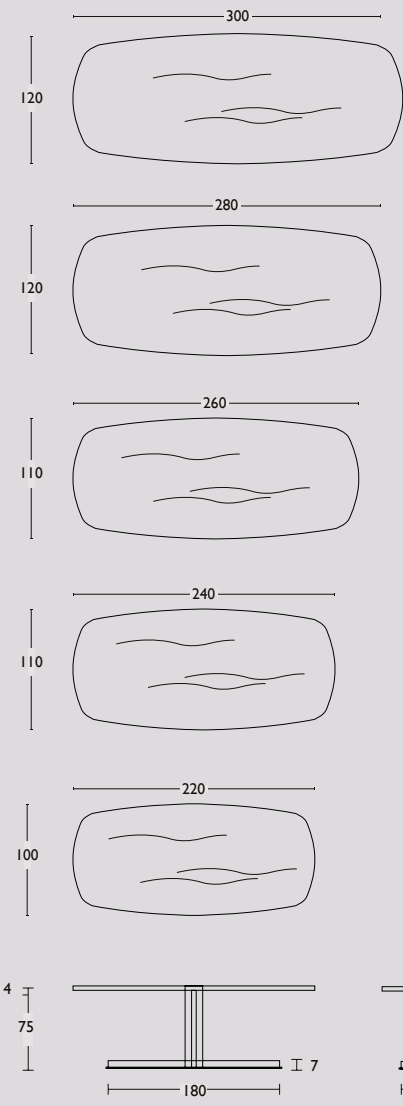
Laser cut rolled steel powder coated in the color black RAL 9005 (leather detail black). Other colors are possible upon request with a surcharge of 395,- Euro)

### Custom size:

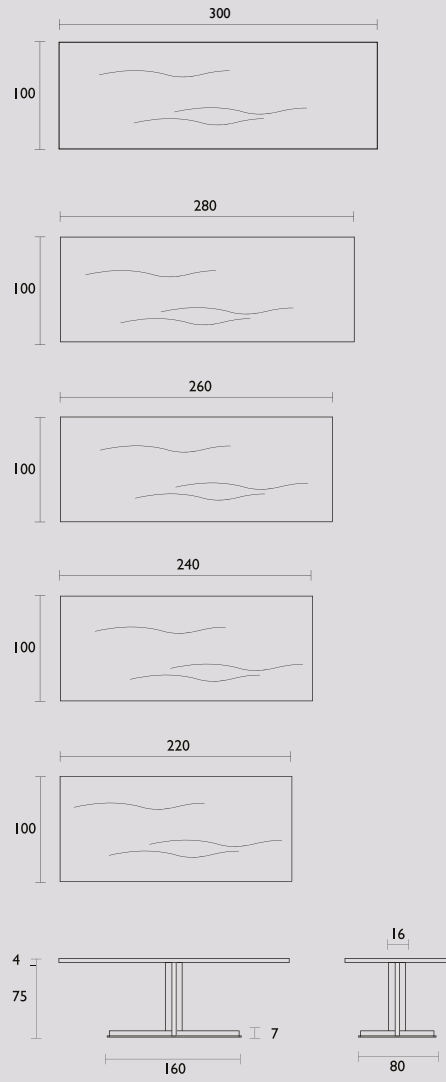
Custom size is possible on request. Price will be the size above + 10%

For example: price for a custom size 260 x 90 x 75cm (rectangular) will be the price of the standard size 260 x 100cm + 10% surcharge. Different colors or wood are possible upon request. Please contact our office for more information.

### Cross table Danish Ovaal



### Cross table Rectangular



# Cross table design by Carolina Wilcke

Manufactured in the Netherlands

Aprox. size in cm.		Finish A	Finish B	Finish C
220 x 100 x 75cm	Rectangular	€ 3.573	€ 3.652	€ 4.612
240 x 100 x 75cm	Rectangular	€ 3.731	€ 3.810	€ 4.839
260 x 100 x 75cm	Rectangular	€ 3.850	€ 3.929	€ 5.014
280 x 100 x 75cm	Rectangular	€ 3.968	€ 4.048	€ 5.188
300 x 100 x 75 cm	Rectangular	€ 4.166	€ 4.246	€ 5.485
220 x 100 x 75cm	Danish Oval	€ 4.066	€ 4.149	€ 5.353
240 x 110 x 75cm	Danish Oval	€ 4.233	€ 4.315	€ 5.609
260 x 110 x 75cm	Danish Oval	€ 4.450	€ 4.533	€ 5.913
280 x 120 x 75cm	Danish Oval	€ 4.720	€ 4.803	€ 6.298
300 x 120 x 75cm	Danish Oval	€ 4.928	€ 5.011	€ 6.628

**All prices quoted are suggested retail prices. Free delivery in the Netherlands from 800,-Euro net otherwise 55,- Euro freight and handling costs.**

**Finish A: soaped oak, natural oak oil, smoked oak oil.**

**Finish B: Skylt soap look, smoked Skylt soap look, smoked natural, white wash, ash grey, stone grey, carbon, smoked aged, coal black oak laquered.**

**Finish C: natural American walnut oil.**

### **Table top:**

Solid French Oak (responsible harvest wood)

Natural versions are being treated with linseed oil or soap. The smoking is a natural process which is done with ammonia. The smoking process brings out the natural dark brown color. Color differences may occur because of the variety of acid in the wood. The "aged", "ash grey", "coal black" and "white wash" oak versions are first stained and finished with a matt transparent lacquer. Skylt is a lacquer which is applied in multiple matt layers and gives the product a more natural and untreated look and feel. Natural and Smoked oak (Finish A) are also available in a matt lacquered version upon request.

The price for this is equal to Finish B.

### **Brushed:**

Brushing of the tabletop is possible upon request with a surcharge of 10%. Knots are filled with 2 compartments of resin. The brushing process ensures a stronger drawing of the grain of the wood. Delivery time will be 8-10 weeks.

### **Frame:**

Laser cut rolled steel powder coated in the color black RAL 9005 (leather detail black). Other colors are possible upon request with a surcharge of 395,- Euro)

### **Custom size:**

Custom size is possible on request. Price will be the size above + 10%

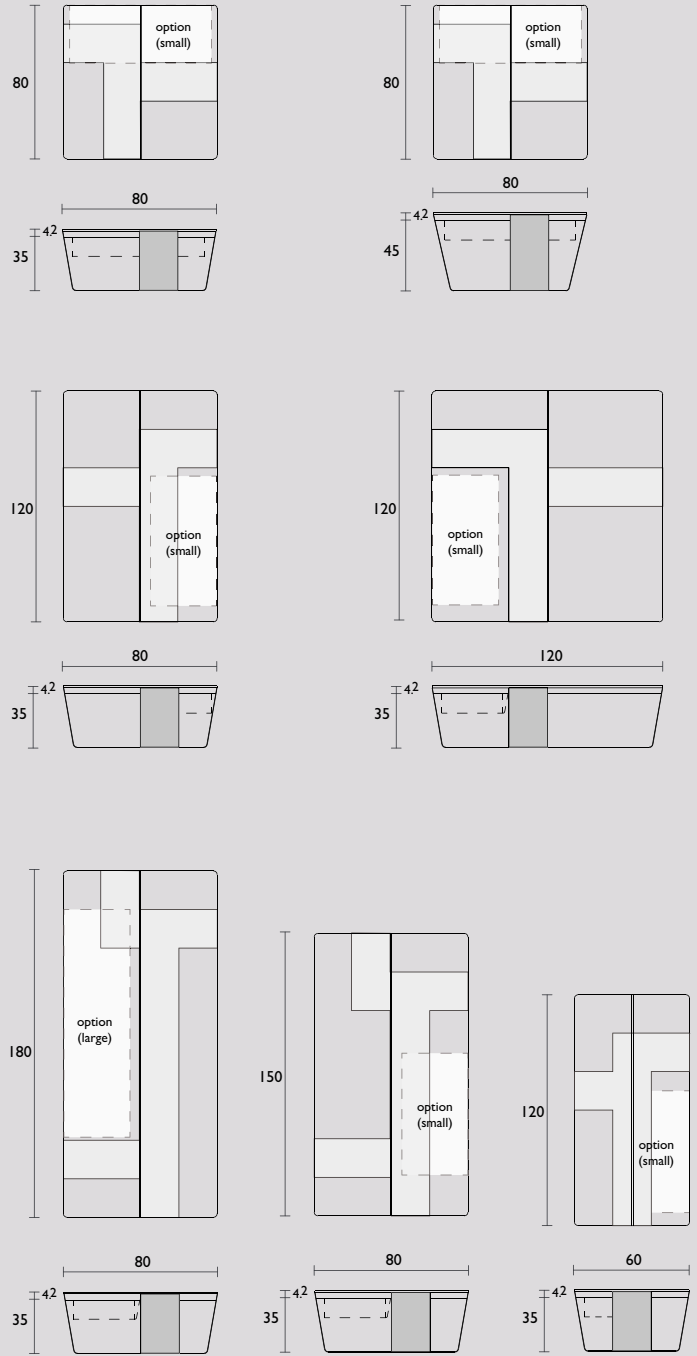
For example: price for a custom size 260 x 90 x 75cm (rectangular) will be the price of the standard size 260 x 100cm + 10% surcharge. Different colors or wood are possible upon request. Please contact our office for more information.



## Crossings coffee table

This coffee table embodies an exciting balance between solid and void. Its design features a rectangular table top of solid French oak running in two halves lengthwise, the corners and sides slightly rounded. The dynamic steel base on which the table top sits, created using laser cut- technology and finished with a powder coating, consists of multiple intersections that provide a rhythmic, asymmetrical contrast with the insistent rectangular form of the tabletop. Solid, it seems to float above the floor, the flat bands of the base taking on the appearance of shadows cast on the floor. Highly functional is the elegant, discrete magazine rack which can be attached underneath the table top. Other options include the color of the wood and the placement of the supporting elements of the base. Bold yet playful, the Crossings coffee table epitomizes the best in contemporary design.

## Crossings coffee table



# Crossings coffee/side table by QLIV

Manufactured in the Netherlands

Aprox. size in cm.	Finish A	Finish B	Finish C
80 x 80 x 35cm	€ 1.825	€ 1.911	€ 2.086
120 x 60 x 35cm	€ 1.997	€ 2.083	€ 2.287
120 x 80 x 35cm	€ 2.212	€ 2.298	€ 2.543
120 x 120 x 35cm	€ 2.599	€ 2.685	€ 2.964
150 x 80 x 35 cm	€ 2.706	€ 2.792	€ 2.847
180 x 80 x 35cm	€ 2.856	€ 2.942	€ 3.275
Magazine rack small	€ 342		
Magazine rack large	€ 378		
<b>Crossings side table</b>			
80 x 80 x 45cm	€ 1.825	€ 1.911	€ 2.086
Magazine rack small	€ 342		

**All prices quoted are suggested retail prices. Free delivery in the Netherlands from 800,-Euro net otherwise 55,- Euro freight and handling costs.**

**Finish A:** soaped oak, natural oak oil, smoked oak oil.

**Finish B:** Skylt soap look, smoked Skylt soap look, smoked natural, white wash, ash grey, stone grey, carbon, smoked aged, coal black oak laquered.

**Finish C:** natural American walnut oil.

## **Table top:**

Solid French Oak (responsible harvest wood)

Natural versions are being treated with linseed oil or soap. The smoking is a natural process which is done with ammonia. The smoking process brings out the natural dark brown color. Color differences may occur because of the variety of acid in the wood. The "aged", "ash grey", "coal black" and "white wash" oak versions are first stained and finished with a mat transparent lacquer. Skylt is a lacquer which is applied in multiple matt layers and gives the product a more natural and untreated look and feel. Natural and Smoked oak (Finish A) are also available in a matt lacquered version upon request.

The price for this is equal to Finish B.

## **Brushed:**

Brushing of the tabletop is possible upon request with a surcharge of 10%. Knots are filled with 2 compartments of resin. The brushing process ensures a stronger drawing of the grain of the wood. Delivery time will be 8-10 weeks.

## **Frame:**

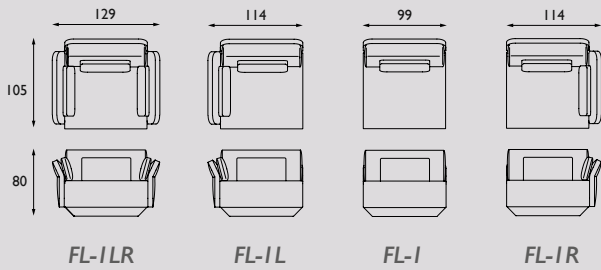
Laser cut rolled steel powder coated in the color dark grey (other colors are possible upon request).

## **Custom size:**

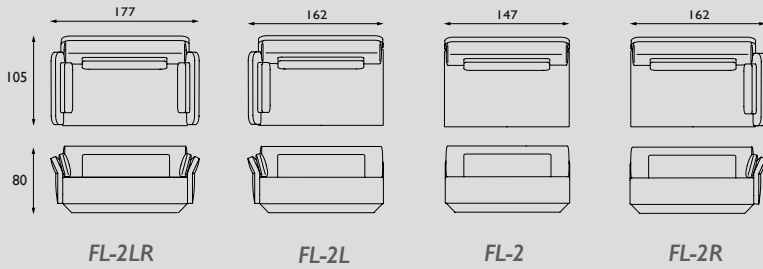
Custom size is possible on request. Please contact our office for more information.

The tabletop can be made with a single rather than the standard double plank configuration upon request without surcharge.

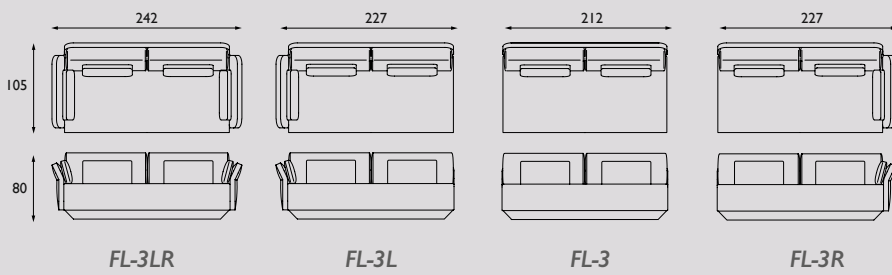
### 1-seaters



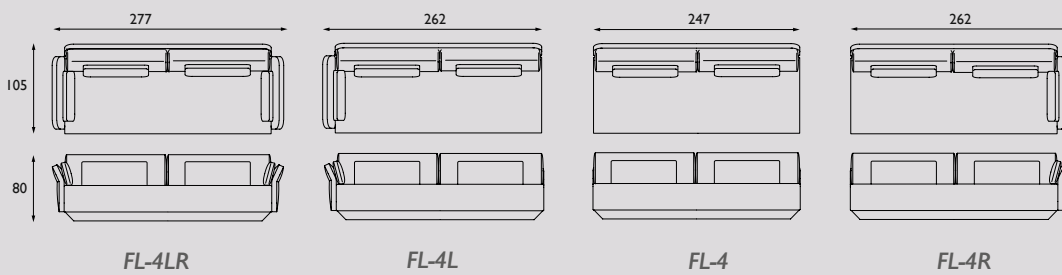
### 2-seaters



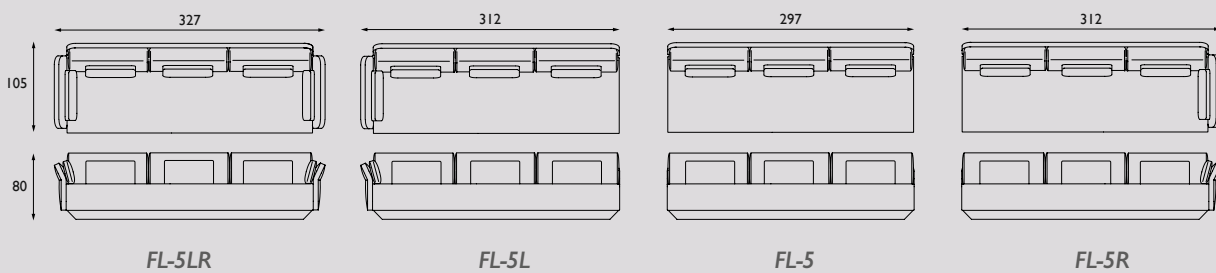
### 3-seaters



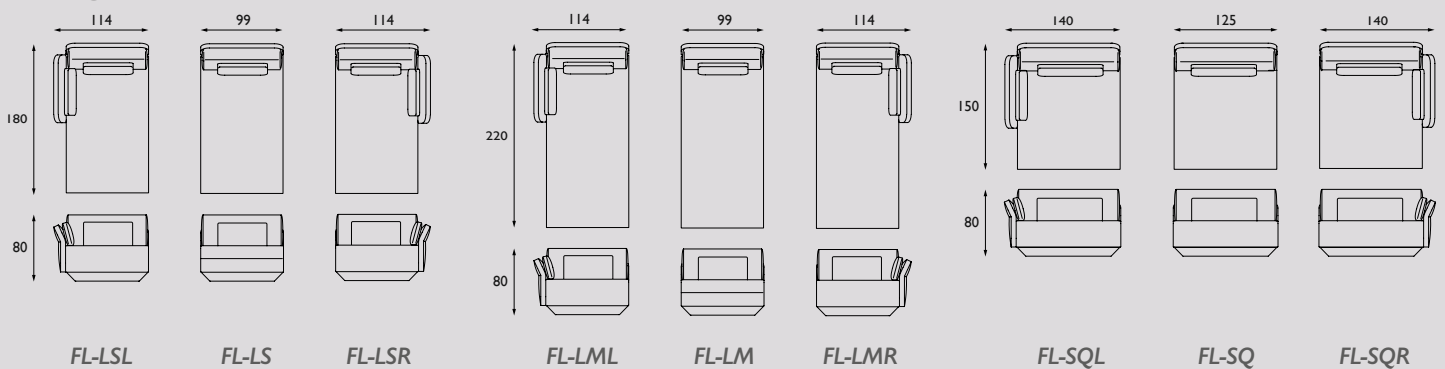
### 4-seaters



### 5-seaters



### Longchairs



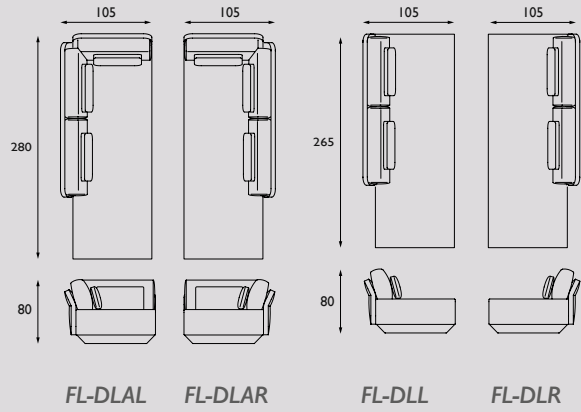
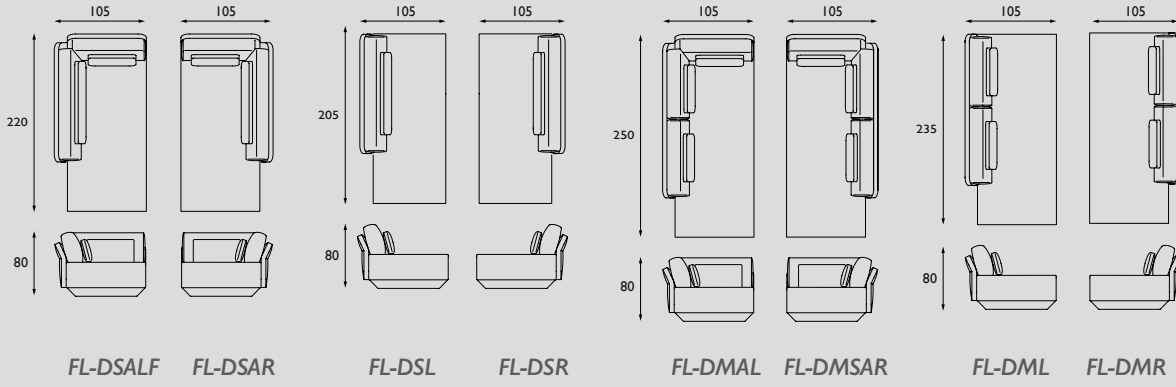
# Flared modular sofa design by Jon+Sven

Manufactured in the Netherlands

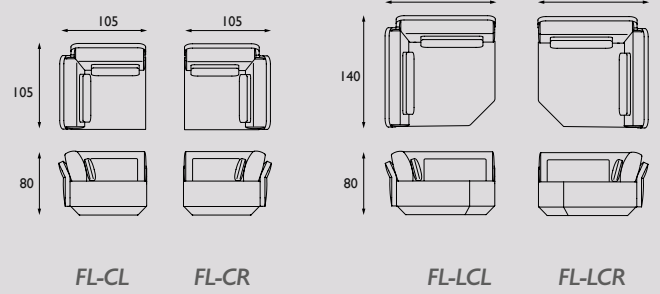
		Fabric Group 1	Fabric Group 2	Fabric Group 3	Fabric Group 4	Fabric Group 5	Leather Angler/Madura	Leather Devon	Leather Colorado
FL-1	1-seater	€ 2051	€ 2254	€ 2678	€ 2978	€ 3120	€ 3550	€ 4046	€ 4565
FL-1L	1-seater/arm L	€ 2500	€ 2874	€ 3390	€ 3811	€ 4025	€ 4559	€ 5255	€ 5983
FL-1R	1-seater/arm R	€ 2500	€ 2874	€ 3390	€ 3811	€ 4025	€ 4559	€ 5255	€ 5983
FL-1LR	1-seater/arm L+R	€ 2948	€ 3421	€ 4102	€ 4644	€ 4927	€ 5568	€ 6464	€ 7398
FL-2	2-seater	€ 2855	€ 3376	€ 4186	€ 4804	€ 5142	€ 5719	€ 6719	€ 7763
FL-2L	2-seater/arm L	€ 3297	€ 3907	€ 4859	€ 5584	€ 5983	€ 6650	€ 7824	€ 9051
FL-2R	2-seater/arm R	€ 3297	€ 3907	€ 4859	€ 5584	€ 5983	€ 6650	€ 7824	€ 9051
FL-2LR	2-seater/arm L+R	€ 3737	€ 4435	€ 5532	€ 6364	€ 6824	€ 7581	€ 8929	€ 10339
FL-3	3-seater	€ 3199	€ 3750	€ 4579	€ 5223	€ 5571	€ 6339	€ 7427	€ 8564
FL-3L	3-seater/arm L	€ 3638	€ 4278	€ 5252	€ 6004	€ 6412	€ 7143	€ 8361	€ 9634
FL-3R	3-seater/arm R	€ 3638	€ 4278	€ 5252	€ 6004	€ 6412	€ 7143	€ 8361	€ 9634
FL-3LR	3-seater/arm L+R	€ 4080	€ 4806	€ 5926	€ 6785	€ 7253	€ 8074	€ 9466	€ 10921
FL-4	4-seater	€ 3563	€ 4147	€ 4995	€ 5667	€ 6020	€ 6861	€ 7992	€ 9173
FL-4L	4-seater/arm L	€ 4005	€ 4675	€ 5668	€ 6447	€ 6861	€ 7792	€ 9097	€ 10460
FL-4R	4-seater/arm R	€ 4005	€ 4675	€ 5668	€ 6447	€ 6861	€ 7792	€ 9097	€ 10460
FL-4LR	4-seater/arm L+R	€ 4444	€ 5203	€ 6341	€ 7227	€ 7702	€ 8723	€ 10202	€ 11745
FL-5	5-seater	€ 4066	€ 4832	€ 6037	€ 6950	€ 7456	€ 8407	€ 9930	€ 11519
FL-5L	5-seater/arm L	€ 4507	€ 5360	€ 6710	€ 7731	€ 8297	€ 9466	€ 11206	€ 13024
FL-5R	5-seater/arm R	€ 4507	€ 5360	€ 6710	€ 7731	€ 8297	€ 9466	€ 11206	€ 13024
FL-5LR	5-seater/arm L+R	€ 4946	€ 5891	€ 7384	€ 8511	€ 9138	€ 10269	€ 12139	€ 14094
FL-LS	Longchair S	€ 2953	€ 3328	€ 3785	€ 4188	€ 4373	€ 4953	€ 5606	€ 6287
FL-LSL	Longchair S/arm L	€ 3359	€ 3786	€ 4301	€ 4757	€ 4968	€ 5626	€ 6366	€ 7140
FL-LSR	Longchair S/arm R	€ 3359	€ 3786	€ 4301	€ 4757	€ 4968	€ 5626	€ 6366	€ 7140
FL-LM	Longchair M	€ 3269	€ 3696	€ 4228	€ 4689	€ 4904	€ 5522	€ 6261	€ 7035
FL-LML	Longchair M/arm L	€ 3669	€ 4138	€ 4712	€ 5217	€ 5449	€ 6197	€ 7024	€ 7888
FL-LMR	Longchair M/arm R	€ 3669	€ 4138	€ 4712	€ 5217	€ 5449	€ 6197	€ 7024	€ 7888
FL-SQ	Longchair square	€ 2940	€ 3302	€ 3729	€ 4114	€ 4286	€ 4826	€ 5435	€ 6070
FL-SQL	Longchair square/Arm L	€ 3390	€ 3850	€ 4442	€ 4947	€ 5188	€ 5498	€ 6194	€ 6922
FL-SQR	Longchair square/Arm R	€ 3390	€ 3850	€ 4442	€ 4947	€ 5188	€ 5498	€ 6194	€ 6922



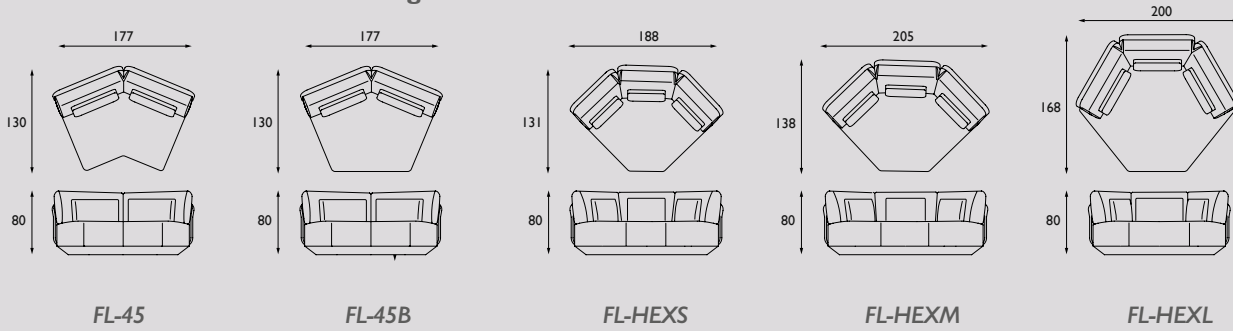
## Dormeuses



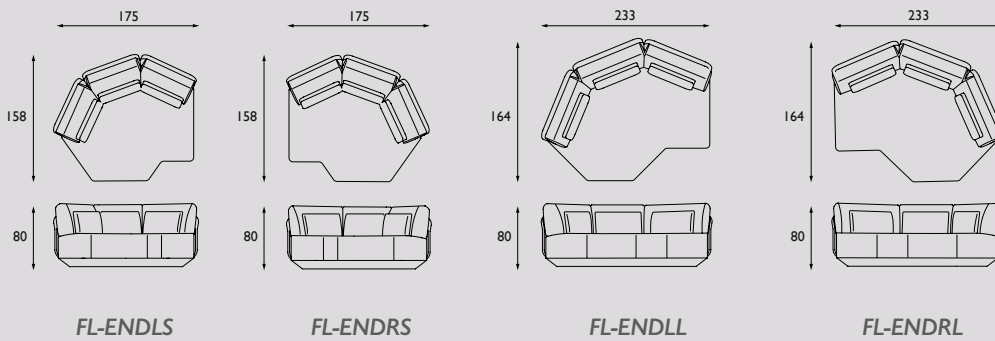
## Corners



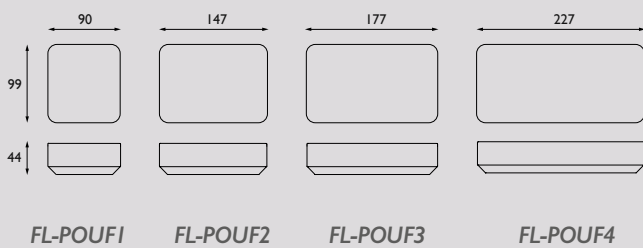
## Corners 45° en Corners Hexagon



## End elements



## Poufs



# Flared modular sofa design by by Jon+Sven

Manufactured in the Netherlands

		Fabric Group 1	Fabric Group 2	Fabric Group 3	Fabric Group 4	Fabric Group 5	Leather Angler/Madura	Leather Devon	Leather Colorado
FL-DSL	Dormeuse S/ L	€ 3106	€ 3555	€ 4156	€ 4656	€ 4904	€ 5635	€ 6482	€ 7369
FL-DSR	Dormeuse S/ R	€ 3106	€ 3555	€ 4156	€ 4656	€ 4904	€ 5635	€ 6482	€ 7369
FL-DSAL	Dormeuse S/Arm L	€ 3560	€ 4112	€ 4892	€ 5521	€ 5844	€ 6374	€ 7331	€ 8329
FL-DSAR	Dormeuse S/Arm R	€ 3548	€ 4112	€ 4892	€ 5521	€ 5844	€ 6374	€ 7331	€ 8329
FL-DML	Dormeuse M/ L	€ 3439	€ 3904	€ 4503	€ 5013	€ 5258	€ 5936	€ 6763	€ 7627
FL-DMR	Dormeuse M/ R	€ 3439	€ 3904	€ 4503	€ 5013	€ 5258	€ 5936	€ 6763	€ 7627
FL-DMAL	Dormeuse M/Arm L	€ 3914	€ 4506	€ 5333	€ 6004	€ 6345	€ 6995	€ 8039	€ 9129
FL-DMAR	Dormeuse M/Arm R	€ 3914	€ 4506	€ 5333	€ 6004	€ 6345	€ 6995	€ 8039	€ 9129
FL-DLL	Dormeuse L / L	€ 4174	€ 4803	€ 5682	€ 6398	€ 6760	€ 7769	€ 8987	€ 10260
FL-DLR	Dormeuse L / R	€ 4174	€ 4803	€ 5682	€ 6398	€ 6760	€ 7769	€ 8987	€ 10260
FL-DLAL	Dormeuse L/Arm L	€ 4579	€ 5261	€ 6200	€ 6967	€ 7354	€ 8445	€ 9750	€ 11113
FL-DLAR	Dormeuse L/Arm R	€ 4579	€ 5261	€ 6200	€ 6967	€ 7354	€ 8445	€ 9750	€ 11113
FL-CL	Corner/L	€ 2892	€ 3354	€ 4017	€ 4546	€ 4823	€ 5438	€ 6308	€ 7218
FL-CR	Corner/R	€ 2892	€ 3354	€ 4017	€ 4546	€ 4823	€ 5438	€ 6308	€ 7218
FL-LCL	Corner Large/L	€ 3756	€ 4231	€ 4983	€ 5939	€ 6357	€ 7256	€ 8564	€ 9872
FL-LCR	Corner Large/R	€ 3756	€ 4231	€ 4983	€ 5939	€ 6357	€ 7256	€ 8564	€ 9872
FL-45	Corner 45 degrees	€ 3528	€ 3949	€ 4359	€ 4973	€ 5386	€ 6538	€ 7657	€ 8775
FL-45B	Corner 45 degrees B	€ 4050	€ 4484	€ 4823	€ 5398	€ 5778	€ 7038	€ 8131	€ 9223
FL-HEXS	Corner Hexagon Small	€ 3934	€ 4467	€ 5091	€ 5994	€ 6309	€ 7175	€ 8576	€ 9977
FL-HEXM	Corner Hexagon Medium	€ 4142	€ 4683	€ 5285	€ 6129	€ 6487	€ 7237	€ 8696	€ 9994
FL-HEXL	Corner Hexagon Large	€ 4321	€ 4850	€ 5389	€ 6232	€ 6593	€ 7364	€ 8700	€ 10037
FL-ENDLS	End element Small/L	€ 4259	€ 4846	€ 5546	€ 6494	€ 6962	€ 7849	€ 9401	€ 10434
FL-ENDRS	End element Small/R	€ 4259	€ 4846	€ 5546	€ 6494	€ 6962	€ 7849	€ 9401	€ 10434
FL-ENDLL	End element Large/L	€ 4511	€ 5142	€ 5973	€ 6671	€ 7012	€ 8288	€ 9550	€ 10869
FL-ENDRL	End element Large/R	€ 4511	€ 5142	€ 5973	€ 6671	€ 7012	€ 8288	€ 9550	€ 10869
FL-POUF1	Pouf 99x90	€ 1381	€ 1536	€ 1707	€ 1868	€ 1937	€ 2076	€ 2294	€ 2523
FL-POUF2	Pouf 99x147	€ 1579	€ 1758	€ 1916	€ 2167	€ 2445	€ 2527	€ 2886	€ 3245
FL-POUF3	Pouf 99x177	€ 1747	€ 1939	€ 2098	€ 2358	€ 2649	€ 2741	€ 3116	€ 3490
FL-POUF4	Pouf 99x227	€ 1916	€ 2120	€ 2279	€ 2550	€ 2853	€ 2971	€ 3366	€ 3761

**Flared modular sofa**





### Flared modular sofa

QLIV introduces FLARED, a comfortable, contemporary sofa, with a luxurious appearance. It is composed of highly flexible elements that seamlessly combine with each other, offering endless unconventional configurations. The sofa consists of separate elements with different dimensions and shapes that, in any desired arrangement, together form a whole. Do you prefer a straight sofa, a corner arrangement, or a spacious U-shape? With the choice of no less than 50 elements you can mix and match endlessly and make your desired seating arrangement a perfect fit for any space, whether it is a compact loft or a spacious villa. With cushions in various widths, fabrics, and leathers, you decide the look of your sofa!

**All prices quoted are suggested retail prices. Free delivery in the Netherlands from 800,-Euro net otherwise 55,- Euro freight and handling costs.**

**Fabric group 1:** Ingezonden stof / Burra, (6) / Gomesa, (6) / Isler, (6) / Milton, (6).

**Fabric group 2:** Lazio, (6) / Tamil, (6) / Manolo, (3) / Vivid, (1).

**Fabric group 3:** Oia, (6) / Bagan, (6) / Remix, (2) / Maple, (2) / Goby, (4) / Osino, (1) / Monza, (1) / Monza Melange, (1) / Alto, (1) / Moss, (1) / Prairie, (1).

**Fabric group 4:** Hallingdal 65, (2) / Steelcut, (2) / Steelcut trio, (2) / Tonus, (2) / Divina, (2) / Tonica, (2) / Fiord, (2) / Clay, (2) / Safire, (5) / Umbra, (1) / Serra, (1) / Re-Wool, (1).

**Fabric group 5:** Moss, (5) / Twill Weave, (2) / Twinwool, (1) / Ploegwool, (1) / Panama, (1) / Panamaplus, (1).

① de ploeg ② kvadrat ③ aristide ④ ROMO ⑤ SAHCO ⑥ QLIV

**Body:** Solid beech frame with Nosag suspension and high quality cold foam in varying densities for optimum support and comfort. Coupling system: The elements can be connected to each other in any configuration.

**Legs:** Floating on plinth as standard and with steel leg upon request.

**Back cushions:** Mix of Latexsticks and Comforel filling.

**Upholstery:** Fixed, available in either fabric or leather which are listed in our price list. COM, COL upon request.

Pleat formation is unavoidable due to the design and the comfort chosen. This cannot be claimed.



### Founded Collection

Though and refined, is a perfect description for the Founded collection designed by Richard Schipper.

The idea submerged from the desire of keeping de Dutch manufacturing industry and design development alive.

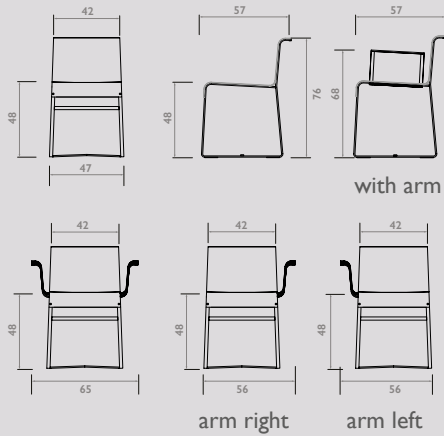
The designs are characterized by the use of luxurious saddle leather with an artisanal crafted bent, single-piece steel frame.

Saddle leather is a vegetable tanned leather.

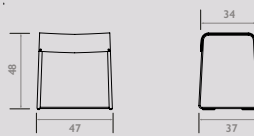
Because of its strong and inextensible properties it is highly suitable for the use in seating furniture.

To enrich the saddle leathers appearance a grinded variety has been used. Using a grinded variety contributes to a warm and minimalistic experience and is therefore a perfect addition to the QLIV collection.

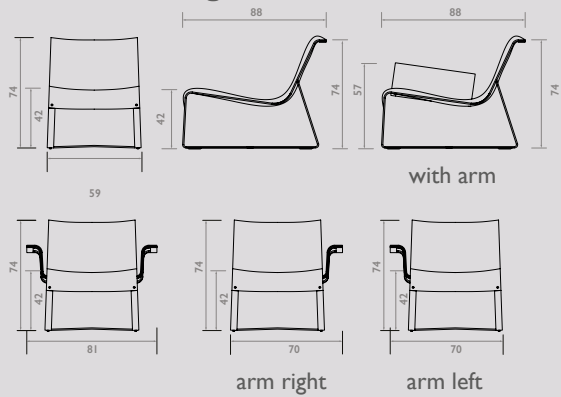
### Founded chair



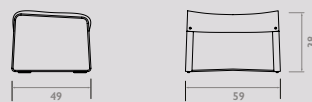
### Founded stool



### Founded lounge chair



### Founded Ottoman



# Founded Collection by Richard Schipper

Manufactured in the Netherlands

	Without arm	1 arm	2 arms
<b>Founded chair</b>	€ 984	€ 1.141	€ 1.298
<b>Founded stool</b> hight 45 cm	€ 654		
<b>Founded lounge chair</b>	€ 2.739	€ 3.184	€ 3.629
<b>Founded ottoman</b>	€ 1.369		

**All prices quoted are suggested retail prices. Free delivery in the Netherlands from 800,-Euro net otherwise 55,- Euro freight and handling costs.**

## **Standard version leather collection Ohmann:**

Saddle Nubuck, colors Cinnamon and Anthracite

Saddle Touch, Black, Brown and Cognac

Other colors leather quality Saddle, wich are suplied by Ohmann, are available on request with a surcharge.

### **Body:**

The body is made of thick saddle leather and mounted to the steel frame with invisible metal strips.

### **Frame:**

The steel frame consist on one part; artisanal bent to the precise shape and finished with a dark gray powder coating RAL 7021 using laser cut-technology. All chairs come with felt glides as standard and are suitable for hard and soft floors.

### Founded Collection

Though and refined, is a perfect description for the Founded collection designed by Richard Schipper.

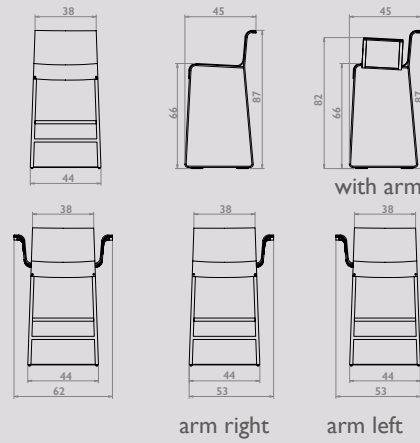
The idea submerges from the desire of keeping the Dutch manufacturing industry and design development alive.

The designs are characterized by the use of luxurious saddle leather with an artisanal crafted bent, single-piece steel frame.

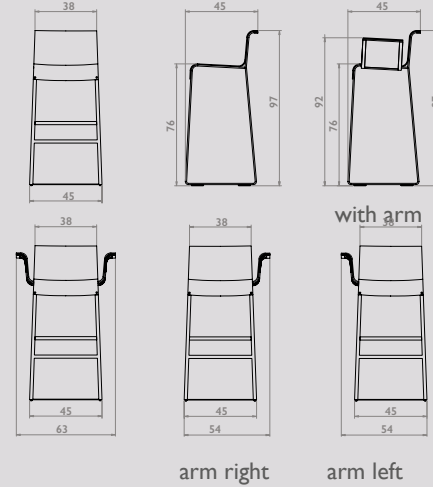
Saddle leather is a vegetable tanned leather. Because of its strong and inextensible properties it is highly suitable for the use in seating furniture. To enrich the saddle leather's appearance a grained variety has been used. Using a grained variety contributes to a warm and minimalistic experience and is therefore a perfect addition to the QLIV collection.



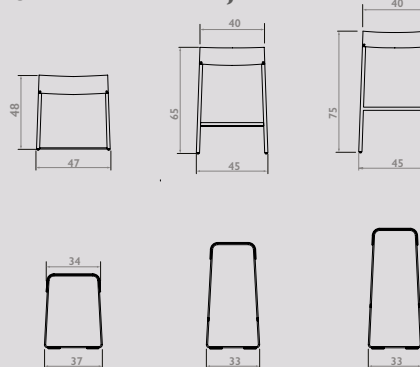
### Founded counter chair 65



### Founded bar chair 75



### Founded stools 45, 65 and 75



# Founded Collection by Richard Schipper

Manufactured in the Netherlands

	Without arms	1 arm	2 arms
<b>Founded counter chair</b> hight 65 cm	€ 979	€ 1.199	€ 1.419
<b>Founded bar chair</b> hight 75 cm	€ 1.012	€ 1.232	€ 1.452
<b>Founded stools</b> hight 45 cm	€ 654		
hight 65 cm	€ 709		
hight 75 cm	€ 853		

**All prices quoted are suggested retail prices. Free delivery in the Netherlands from 800,-Euro net otherwise 55,- Euro freight and handling costs.**

## **Standard version leather collection Ohmann:**

Saddle Nubuck, colors Cinnamon and Anthracite

Saddle Touch, Black, Brown and Cognac

Other colors leather quality Saddle, wich are suplied by Ohmann, are available on request with a surcharge.

### **Body:**

The body is made of thick saddle leather and mounted to the steel frame with invisible metal strips.

### **Frame:**

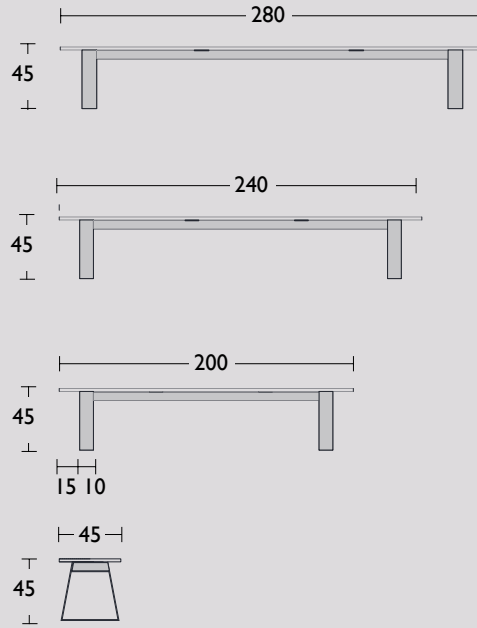
The steel frame consist on one part; artisanal bent to the precise shape and finished with a dark gray powder coating RAL 7021 using laser cut-technology. All chairs come with felt glides as standard and are suitable for hard and soft floors.



### Mingle bench

Mingle bench is shaped to acknowledge the benefits of being around others made to work purposefully well with other QLiv existing tables like Bridge and Side- to-Side. Engineered to last for decades and constructed of responsibly selected materials.

### Mingle



# Mingle bench by QLIV

Manufactured in the Netherlands

Aprox. size in cm.	Finish A	Finish B	Finish C
200 x 45 x 45cm	€ 2.105	€ 2.191	€ 2.253
240 x 45 x 45cm	€ 2.234	€ 2.319	€ 2.397
280 x 45 x 45cm	€ 2.362	€ 2.448	€ 2.577

**All prices quoted are suggested retail prices. Free delivery in the Netherlands from 800,-Euro net otherwise 55,- Euro freight and handling costs.**

**Finish A:** soaped oak, natural oak oil, smoked oak oil.

**Finish B:** Skylt soap look, smoked Skylt soap look, smoked natural, white wash, ash grey, stone grey, carbon, smoked aged, coal black oak laquered.

**Finish C:** natural American walnut oil.

#### **Table top:**

Solid French Oak (responsible harvest wood)

Natural versions are being treated with linseed oil or soap. The smoking is a natural process which is done with ammonia. The smoking process brings out the natural dark brown color. Color differences may occur because of the variety of acid in the wood. The "aged", "ash grey", "coal black" and "white wash" oak versions are first stained and finished with a matt transparent lacquer. Skylt is a lacquer which is applied in multiple matt layers and gives the product a more natural and untreated look and feel. Natural and Smoked oak (Finish A) are also available in a matt lacquered version upon request.

The price for this is equal to Finish B.

#### **Brushed:**

Brushing of the tabletop is possible upon request with a surcharge of 10%. Knots are filled with 2 compartments of resin. The brushing process ensures a stronger drawing of the grain of the wood. Delivery time will be 8-10 weeks.

#### **Frame:**

Laser cut rolled steel powder coated in the color dark grey (other colors are possible upon request).

#### **Custom size:**

Custom size is possible on request. Price will be the size above + 10%

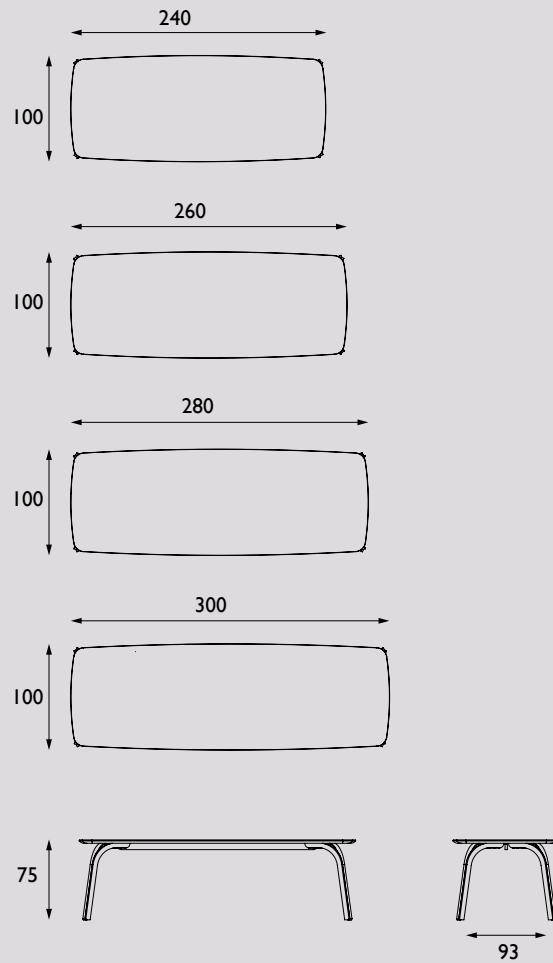
For example: price for a custom size 260 x 45 x 45cm will be the price of the standard size 280 x 45 x 45cm + 10% surcharge.

Different colors or wood are possible upon request. Please contact our office for more information.

### Mito table

Mito is a new addition to the wide range of QLIV dining tables. Carolina Wilcke designed this table for QLIV, inspired by the technique of bending wood. Her style is characterized as pure and clear, tough, yet refined. The tabletop, which has been finished to perfection, is slightly rounded, and is gracefully supported by rectangular curved wooden table legs. The legs of the table are set at a playful angle and split just below the tabletop. By experimenting with curved shapes of wood, the legs originated as a 'design gift'. The splitting of the legs inspired Wilcke to choose the name Mito, which refers to Mitosis, the process of cell division. This elegant table is available in European oak and American walnut. Oak provides a fresh, modern look, while American walnut gives the table a warmer feel.

### Mito table



# Mito table by Carolina Wilcke

Manufactured in the Netherlands

Aprox. size in cm.	Finish A	Finish B	Finish C
240 x 100	€ 4.099	€ 4.149	€ 5.205
260 x 100	€ 4.318	€ 4.368	€ 5.391
280 x 100	€ 4.519	€ 4.569	€ 5.577
300 x 100	€ 4.639	€ 4.689	€ 5.766

**All prices quoted are suggested retail prices. Free delivery in the Netherlands from 800,-Euro net otherwise 55,- Euro freight and handling costs.**

**Finish A:** soaped oak, natural oak oil.

**Finish B:** Skylt soap look, white wash, ash grey, stone grey, carbon, coal black oak laquered.

**Finish C:** natural American walnut oil.

#### **Table top:**

Solid French Oak and American Walnut (responsible harvest wood)

Natural versions are being treated with linseed oil. The “aged”, “ash grey”, “coal black” and “white wash” oak versions are first stained and finished with a mat transparent lacquer. Skylt is a lacquer which is applied in multiple matt layers and gives the product a more natural and untreated look and feel.

#### **Brushed:**

Brushing of the tabletop is possible upon request with a surcharge of 15%. Knots are filled with 2 compartments of resin. The brushing process ensures a stronger drawing of the grain of the wood. Delivery time will be 8-10 weeks.

#### **Base:**

Solid bended wooden leg.

#### **Custom size:**

Custom size is possible on request. Price will be the size above + 10%

For example: price for a custom size 260 x 95 x 75cm will be the price of the standard size 260 x 100cm + 10% surcharge.

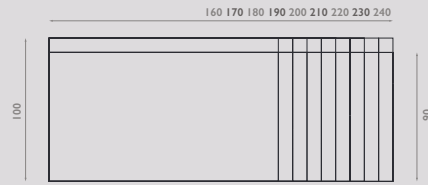
Different colors or wood are possible upon request. Please contact our office for more information.



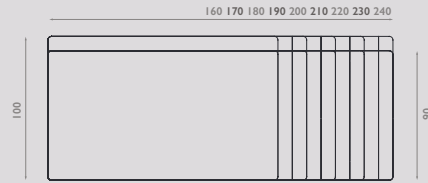
### You're On Top!

The On Top table is the latest addition to the QLIV STUDIO collection, a simple, light and airy design that allows the buyer to be "on top" of customizing its appearance. Choices include a rectangular or sleek oval tabletop; a straight or tapered edge finish; Oak Premium or Bold, American walnut. The countless possible combinations enable you to create the ideal match for every space and setting. The tabletop is available in standard sizes, 90 cm, and 100 cm wide. The length starts at 160 cm and can be extended per 10 cm to a maximum of 240 cm. Laser cut technology has been used for the frame, creating a base that plays with light. The position of the legs can be readily adjusted by employing inserts under the top.

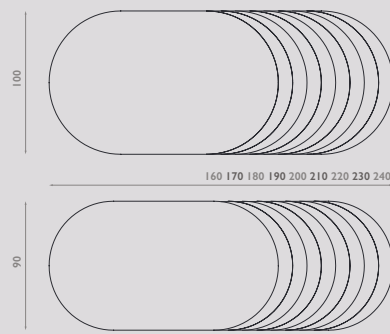
### On Top Rectangular, straight edge



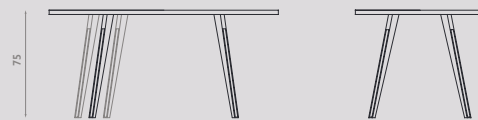
### On Top Rectangular, tapered edge



### On Top Straight Oval



### Frame



adjustable frame

### Edge finish



straight

tapered



# On Top table by QLIV

Manufactured in the Netherlands

## Rectangular

Size	Premium Oak		Bold Oak		Walnut
	Finish A	Finish B	Finish A	Finish B	Finish C
160 x 90	€2307 <sup>€-2.714</sup>	€2382 <sup>€-2.803</sup>	€2085 <sup>€-2.453</sup>	€2192 <sup>€-2.579</sup>	€2973 <sup>€-3.497</sup>
180 x 90	€2405 <sup>€-2.829</sup>	€2480 <sup>€-2.918</sup>	€2178 <sup>€-2.562</sup>	€2285 <sup>€-2.688</sup>	€3061 <sup>€-3.601</sup>
200 x 90	€2518 <sup>€-2.962</sup>	€2608 <sup>€-3.069</sup>	€2303 <sup>€-2.709</sup>	€2388 <sup>€-2.810</sup>	€3213 <sup>€-3.780</sup>
210 x 90	€2631 <sup>€-3.095</sup>	€2706 <sup>€-3.184</sup>	€2392 <sup>€-2.814</sup>	€2463 <sup>€-2.898</sup>	€3332 <sup>€-3.920</sup>
220 x 90	€2631 <sup>€-3.095</sup>	€2706 <sup>€-3.184</sup>	€2392 <sup>€-2.814</sup>	€2463 <sup>€-2.898</sup>	€3332 <sup>€-3.920</sup>
230 x 90	€2733 <sup>€-3.215</sup>	€2808 <sup>€-3.304</sup>	€2496 <sup>€-2.936</sup>	€2567 <sup>€-3.020</sup>	€3400 <sup>€-4.000</sup>
240 x 90	€2733 <sup>€-3.215</sup>	€2808 <sup>€-3.304</sup>	€2496 <sup>€-2.936</sup>	€2567 <sup>€-3.020</sup>	€3400 <sup>€-4.000</sup>
180 x 100	€2488 <sup>€-2.927</sup>	€2563 <sup>€-3.016</sup>	€2210 <sup>€-2.600</sup>	€2296 <sup>€-2.701</sup>	€3173 <sup>€-3.733</sup>
200 x 100	€2608 <sup>€-3.069</sup>	€2684 <sup>€-3.157</sup>	€2335 <sup>€-2.747</sup>	€2406 <sup>€-2.831</sup>	€3312 <sup>€-3.896</sup>
210 x 100	€2722 <sup>€-3.202</sup>	€2797 <sup>€-3.290</sup>	€2424 <sup>€-2.852</sup>	€2496 <sup>€-2.936</sup>	€3390 <sup>€-3.988</sup>
220 x 100	€2722 <sup>€-3.202</sup>	€2797 <sup>€-3.290</sup>	€2424 <sup>€-2.852</sup>	€2496 <sup>€-2.936</sup>	€3390 <sup>€-3.988</sup>
230 x 100	€2835 <sup>€-3.335</sup>	€2910 <sup>€-3.424</sup>	€2531 <sup>€-2.978</sup>	€2603 <sup>€-3.062</sup>	€3475 <sup>€-4.088</sup>
240 x 100	€2835 <sup>€-3.335</sup>	€2910 <sup>€-3.424</sup>	€2531 <sup>€-2.978</sup>	€2603 <sup>€-3.062</sup>	€3475 <sup>€-4.088</sup>

## Straight Oval

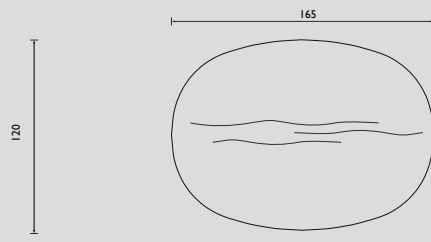
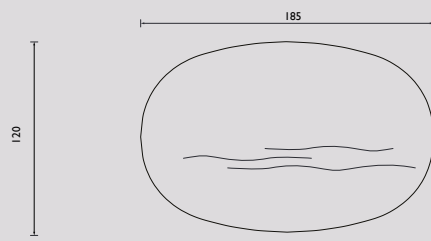
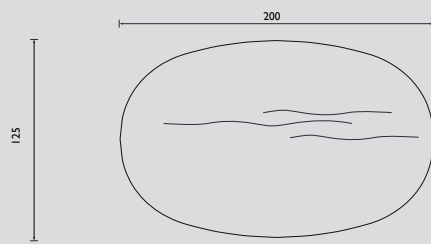
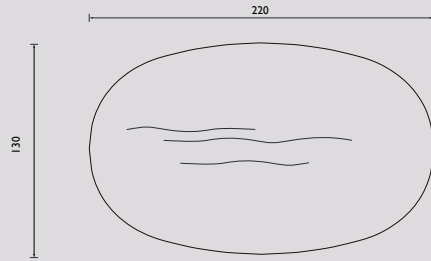
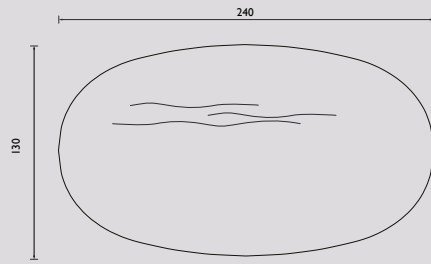
Size	Premium Oak		Bold Oak		Walnut
	Finish A	Finish B	Finish A	Finish B	Finish C
160 x 90	€2405 <sup>€-2.829</sup>	€2477 <sup>€-2.914</sup>	€2178 <sup>€-2.562</sup>	€2246 <sup>€-2.642</sup>	€3047 <sup>€-3.585</sup>
180 x 90	€2499 <sup>€-2.940</sup>	€2575 <sup>€-3.029</sup>	€2267 <sup>€-2.667</sup>	€2339 <sup>€-2.751</sup>	€3142 <sup>€-3.697</sup>
200 x 90	€2639 <sup>€-3.104</sup>	€2729 <sup>€-3.211</sup>	€2385 <sup>€-2.806</sup>	€2467 <sup>€-2.902</sup>	€3268 <sup>€-3.844</sup>
210 x 90	€2752 <sup>€-3.237</sup>	€2827 <sup>€-3.326</sup>	€2471 <sup>€-2.907</sup>	€2542 <sup>€-2.991</sup>	€3400 <sup>€-4.000</sup>
220 x 90	€2752 <sup>€-3.237</sup>	€2827 <sup>€-3.326</sup>	€2471 <sup>€-2.907</sup>	€2542 <sup>€-2.991</sup>	€3400 <sup>€-4.000</sup>
230 x 90	€2869 <sup>€-3.375</sup>	€2944 <sup>€-3.463</sup>	€2581 <sup>€-3.037</sup>	€2653 <sup>€-3.121</sup>	€3502 <sup>€-4.120</sup>
240 x 90	€2869 <sup>€-3.375</sup>	€2944 <sup>€-3.463</sup>	€2581 <sup>€-3.037</sup>	€2653 <sup>€-3.121</sup>	€3502 <sup>€-4.120</sup>
180 x 100	€2544 <sup>€-2.993</sup>	€2620 <sup>€-3.082</sup>	€2299 <sup>€-2.705</sup>	€2371 <sup>€-2.789</sup>	€3183 <sup>€-3.745</sup>
200 x 100	€2691 <sup>€-3.166</sup>	€2767 <sup>€-3.255</sup>	€2413 <sup>€-2.839</sup>	€2485 <sup>€-2.923</sup>	€3349 <sup>€-3.940</sup>
210 x 100	€2808 <sup>€-3.304</sup>	€2884 <sup>€-3.392</sup>	€2506 <sup>€-2.949</sup>	€2578 <sup>€-3.033</sup>	€3451 <sup>€-4.060</sup>
220 x 100	€2808 <sup>€-3.304</sup>	€2884 <sup>€-3.392</sup>	€2506 <sup>€-2.949</sup>	€2578 <sup>€-3.033</sup>	€3451 <sup>€-4.060</sup>
230 x 100	€2925 <sup>€-3.441</sup>	€3000 <sup>€-3.530</sup>	€2617 <sup>€-3.079</sup>	€2688 <sup>€-3.163</sup>	€3553 <sup>€-4.180</sup>
240 x 100	€2925 <sup>€-3.441</sup>	€3000 <sup>€-3.530</sup>	€2617 <sup>€-3.079</sup>	€2688 <sup>€-3.163</sup>	€3553 <sup>€-4.180</sup>

## You're On Top!

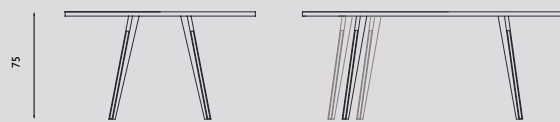
The On Top table is the latest addition to the QLIV STUDIO collection, a simple, light and airy design that allows the buyer to be "on top" of customizing its appearance. Choices include a rectangular or sleek oval tabletop; a straight or tapered edge finish; Oak Premium or Bold, American walnut. The countless possible combinations enable you to create the ideal match for every space and setting. The tabletop is available in standard sizes, 90 cm, and 100 cm wide. The length starts at 160 cm and can be extended per 10 cm to a maximum of 240 cm. Laser cut technology has been used for the frame, creating a base that plays with light. The position of the legs can be readily adjusted by employing inserts under the top.



## On Top A'dams Oval

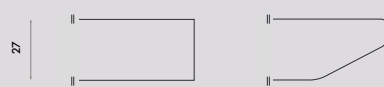


### Frame



adjustable frame

### Edge finish



straight

tapered

# On Top table by QLIV

Manufactured in the Netherlands

A'dams Oval Size	Premium Oak		Bold Oak		Walnut
	Finish A	Finish B	Finish A	Finish B	Finish C
165x120	€2676 <sup>€3.148</sup>	€2742 <sup>€3.226</sup>	€2465 <sup>€2.900</sup>	€2528 <sup>€2.974</sup>	€3356 <sup>€3.948</sup>
185x120	€2791 <sup>€3.284</sup>	€2858 <sup>€3.362</sup>	€2575 <sup>€3.029</sup>	€2638 <sup>€3.103</sup>	€3587 <sup>€4.220</sup>
200x125	€2993 <sup>€3.521</sup>	€3059 <sup>€3.599</sup>	€2766 <sup>€3.254</sup>	€2829 <sup>€3.328</sup>	€3831 <sup>€4.507</sup>
220x130	€3158 <sup>€3.716</sup>	€3225 <sup>€3.794</sup>	€2923 <sup>€3.438</sup>	€2985 <sup>€3.512</sup>	€3972 <sup>€4.673</sup>
240x130	€3324 <sup>€3.910</sup>	€3518 <sup>€4.139</sup>	€3111 <sup>€3.659</sup>	€3173 <sup>€3.733</sup>	€4082 <sup>€4.802</sup>

**All prices quoted are suggested retail prices. Free delivery in the Netherlands from 800,-Euro net otherwise 55,- Euro freight and handling costs.**

**Finish A:** soaped oak, natural oak oil, smoked oak oil.

**Finish B:** Skylt soap look, smoked Skylt soap look, smoked natural, white wash, ash grey, stone grey, carbon, smoked aged, coal black oak laquered.

**Finish C:** natural American walnut oil.

**ATTENTION:** the finishes smoked oak and aged oak can only be applied on Premium oak table tops

#### Tafelblad:

Solid French Oak (responsible harvest wood). Natural versions are being treated with linseed oil or soap. The smoking is a natural process which is done with ammonia. The smoking process brings out the natural dark brown color. Color differences may occur because of the variety of acid in the wood. The "aged", "ash grey", "coal black" and "white wash" oak versions are first stained and finished with a mat transparent lacquer. Skylt is a lacquer which is applied in multiple matt layers and gives the product a more natural and untreated look and feel. Natural and Smoked oak (Finish A) are also available in a matt lacquered version upon request. The price for this is equal to Finish B.

**Premium oak:** comparatively less or smaller knots, for a clean design.

**Bold oak:** comparatively more knots, for a tougher appearance.

#### Brushed:

Brushing of the tabletop is possible upon request with a surcharge of 15%. Knots are filled with 2 compartments of resin. The brushing process ensures a stronger drawing of the grain of the wood. Delivery time will be 8-10 weeks.

#### Frame:

Laser cut rolled steel powder coated in the color dark grey (other colors are possible upon request with a surcharge of €395,-) The position of the frame can be changed upon request. The position of the frame can be placed to your liking.

#### Custom size:

Custom size is possible on request. Price will be the size above + 10%

For example: price for a custom size 220 x 85 x 75cm will be the price of the standard size 220 x 90 x 75 cm + 10% surcharge. Or for example: 230 x 110 x 75 cm will be the price of the standard size 240 x 100 x 75 cm plus 10% surcharge.

**Different colors or wood are possible upon request. Please contact our office for more information.**

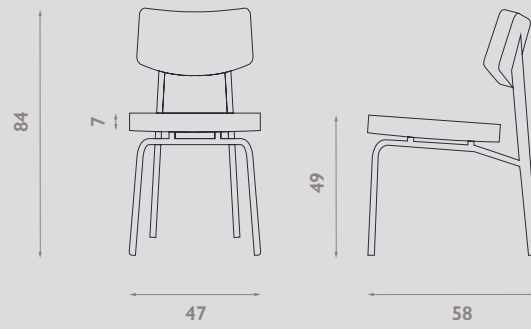


### You're On Top!

On Top is a modern chair with clean contours. Its generous seat and comfortable back were the starting point for this design and provide ultimate seating comfort for long dining or a full day of work. The latest techniques were used for this chair. The frame is made of metal, finished with a powder coating. The chair provides full back support and a very comfortable seat, thanks to the perfect structure of foam.

With its sturdy, nonchalant, no-nonsense look, it's a perfect fit for any interior. The design is inspired by the metal base of the successful On Top table series from QLIV. Due to its modern design and sleek contours, it can also be easily combined with other tables. With the choice of many types of fabric and leather you determine the look of your chair!

### On Top chair



# On Top Chair by QLIV studio

Manufactured in the Netherlands

	Fabric Group 1	Fabric Group 2	Fabric Group 3	Fabric Group 4	Fabric Group 5	Leather Angler/Madura	Leather Devon	Leather Colorado
On Top chair 0,9 m fabric / 2,5 m <sup>2</sup> leather	€498 <sup>€586</sup>	€514 <sup>€605</sup>	€576 <sup>€678</sup>	€612 <sup>€720</sup>	€642 <sup>€755</sup>	€612 <sup>€720</sup>	€718 <sup>€845</sup>	€768 <sup>€904</sup>

**All prices quoted are suggested retail prices. Free delivery in the Netherlands from 800,-Euro net otherwise 55,- Euro freight and handling costs.**

**Fabric group 1:** Ingezonden stof / Burra, (6) / Gomesa, (6) / Isler, (6) / Milton, (6).

**Fabric group 2:** Lazio, (6) / Tamil, (6) / Manolo, (3) / Vivid, (1).

**Fabric group 3:** Oia, (6) / Bagan, (6) / Remix, (2) / Maple, (2) / Goby, (4) / Osino, (1) / Monza, (1) / Monza Melange, (1) / Alto, (1) / Moss, (1) / Prairie, (1).

**Fabric group 4:** Hallingdal 65, (2) / Steelcut, (2) / Steelcut trio, (2) / Tonus, (2) / Divina, (2) / Tonica, (2) / Fiord, (2) / Clay, (2) / Safire, (5) / Umbra, (1) / Serra, (1) / Re-Wool, (1).

**Fabric group 5:** Moss, (5) / Twill Weave, (2) / Twinwool, (1) / Ploegwool, (1) / Panama, (1) / Panamaplus, (1).

1 deploeg: 2 kvadrat 3 aristide 4 ROMO 5 SAHCO 6 QLIV

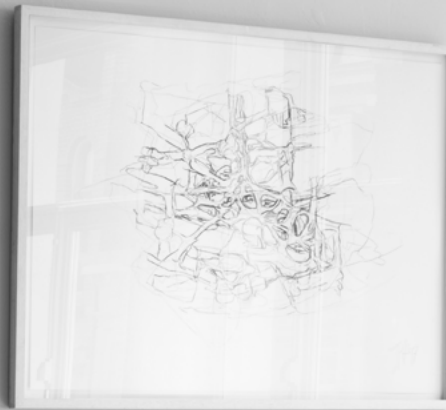
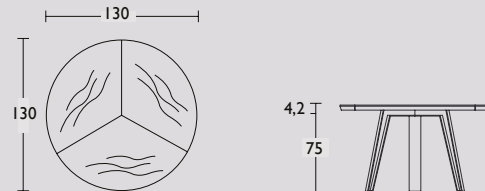
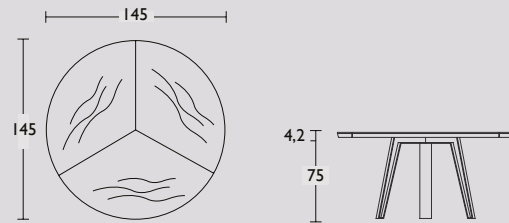
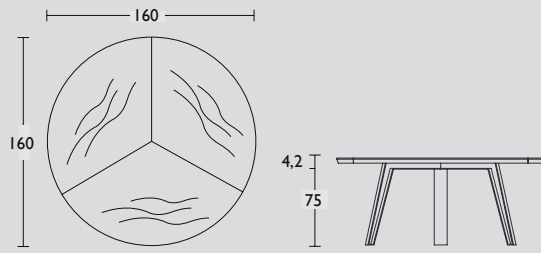
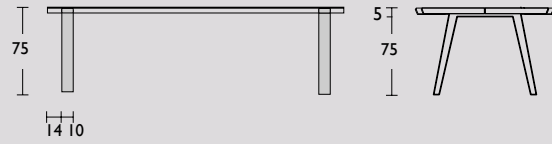
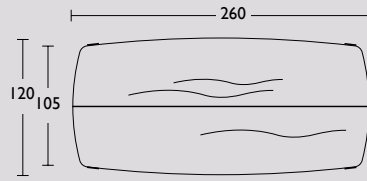
## Seat and back:

The seat and back are made of several layers of high density foam. The construction is a durable combination of wood and metal.

## Frame:

Laser cut rolled steel powder coated in the color dark grey. Other RAL colors are possible upon request with an additional cost. All chairs come standard with caps and felt glides and are suitable for hard and soft floors.

### Side-to-Side specials



## Side-to-Side specials by QLIV

Manufactured in the Netherlands

Aprox. size in cm.		Finish A	Finish B	Finish C
260 x 105/120 x 75cm	Oval tafel	€ 4.137	€ 4.215	€ 5.536
130 Ø x 75cm	Round table	€ 3.862	€ 4.069	€ 4.954
145 Ø x 75cm	Round table	€ 4.030	€ 4.236	€ 5.181
160 Ø x 75 cm	Round table	€ 4.197	€ 4.402	€ 5.408

**All prices quoted are suggested retail prices. Free delivery in the Netherlands from 800,-Euro net otherwise 55,- Euro freight and handling costs.**

**Finish A:** soaped oak, natural oak oil, smoked oak oil.

**Finish B:** Skylt soap look, smoked Skylt soap look, smoked natural, white wash, ash grey, stone grey, carbon, smoked aged, coal black oak laquered.

**Finish C:** natural American walnut oil.

### **Table top:**

Solid French Oak (responsible harvest wood). Natural versions are being treated with linseed oil or soap. The smoking is a natural process which is done with ammonia. The smoking process brings out the natural dark brown color. Color differences may occur because of the variety of acid in the wood. The "aged", "ash grey", "coal black" and "white wash" oak versions are first stained and finished with a matt transparent lacquer. Skylt is a lacquer which is applied in multiple matt layers and gives the product a more natural and untreated look and feel. Natural and Smoked oak (Finish A) are also available in a matt lacquered version upon request. The price for this is equal to Finish B.

### **Brushed:**

Brushing of the tabletop is possible upon request with a surcharge of 10%. Knots are filled with 2 compartments of resin. The brushing process ensures a stronger drawing of the grain of the wood. Delivery time will be 8-10 weeks.

### **Frame:**

Laser cut rolled steel powder coated in the color dark grey (other colors are possible upon request with a surcharge of €395,-)

### **Custom Size:**

Custom size, different colors or wood types are also possible upon request.



### Side-to-Side table

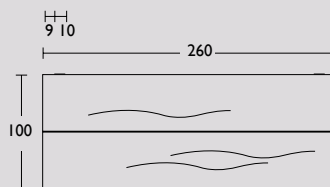
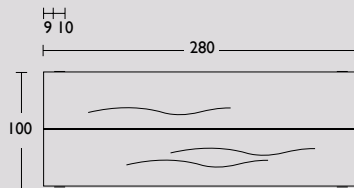
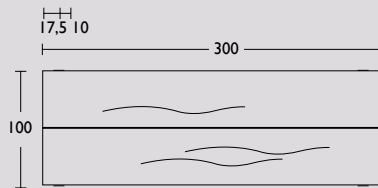
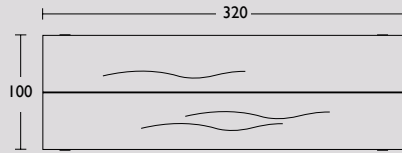
This eye-catching table lends comfort and elegance to any space. Robust yet sophisticated, its design features a tabletop of solid French oak

consisting of two halves lengthwise. Their exterior sides are milled to be seamlessly engaged by a bold steel frame created using special laser cut-technology. The combination of materials along with the refined finishes, results in a uniquely contemporary table.

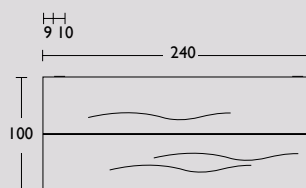
Side-to-Side can be customized to fit your personal taste and space needs. It can be ordered with a tabletop of different dimensions, in different woods, and with a single rather than double plank configuration. Moreover, you can order the metal frame in the color of your choice and even modify its position. Stock item: standard sizes 220, 240 and 260 in oak.

Quick shipment possible.

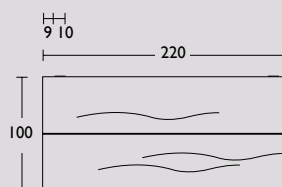
### Side-to-Side table



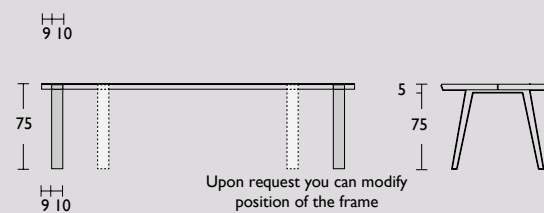
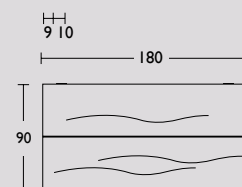
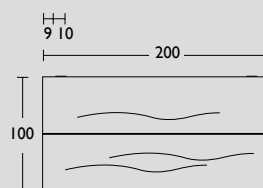
**Quick shipment**



**Quick shipment**



**Quick shipment**



# Side-to-Side table by QLIV

Manufactured in the Netherlands

Aprox. size in cm.		Finish A	Finish B	Finish C
180 x 90 x 75cm		€ 3.138	€ 3.221	€ 3.999
200 x 100 x 75cm		€ 3.282	€ 3.365	€ 4.313
<b>220 x 100 x 75cm</b>	<b>QS</b>	<b>€ 3.447</b>	<b>€ 3.529</b>	€ 4.575
<b>240 x 100 x 75cm</b>	<b>QS</b>	<b>€ 3.591</b>	<b>€ 3.673</b>	€ 4.855
<b>260 x 100 x 75cm</b>	<b>QS</b>	<b>€ 3.756</b>	<b>€ 3.838</b>	€ 5.099
280 x 100 x 75cm		€ 3.982	€ 4.065	€ 5.379
300 x 100 x 75cm		€ 4.311	€ 4.393	€ 5.798
320 x 100 x 75cm		€ 4.578	€ 4.628	€ 6.060

**QUICK SHIPMENT:** The standard sizes 220, 240 en 260cm are stock items and can be ready within 2 or 3 weeks if stated on the order. With the exception of Finish C.

All prices quoted are suggested retail prices. Free delivery in the Netherlands from 800,-Euro net otherwise 55,- Euro freight and handling costs.

**Finish A:** soaped oak, natural oak oil, smoked oak oil.

**Finish B:** Skylt soap look, smoked Skylt soap look, smoked natural, white wash, ash grey, stone grey, carbon, smoked aged, coal black oak laquered.

**Finish C:** natural American walnut oil.

### Table top:

Solid French Oak (responsible harvest wood). Natural versions are being treated with linseed oil or soap. The smoking is a natural process which is done with ammonia. The smoking process brings out the natural dark brown color. Color differences may occur because of the variety of acid in the wood. The "aged", "ash grey", "coal black" and "white wash" oak versions are first stained and finished with a mat transparent lacquer. Skylt is a lacquer which is applied in multiple matt layers and gives the product a more natural and untreated look and feel. Natural and Smoked oak (Finish A) are also available in a matt lacquered version upon request. The price for this is equal to Finish B.

### Brushed:

Brushing of the tabletop is possible upon request with a surcharge of 10%. Knots are filled with 2 compartments of resin. The brushing process ensures a stronger drawing of the grain of the wood. Delivery time will be 8-10 weeks.

### Frame:

Laser cut rolled steel powder coated in the color dark grey (other colors are possible upon request with a surcharge of €395,-) The position of the frame can be changed upon request. The position of the frame can be placed to your liking.

### Custom size:

Custom size is possible on request. Price will be the size above + 10%

For example: price for a custom size 260 x 90 x 75cm will be the price of the standard size 260 x 100cm + 10% surcharge.

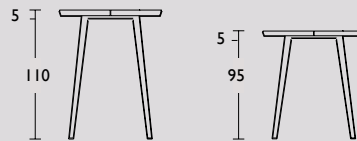
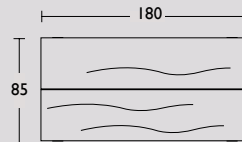
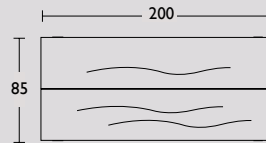
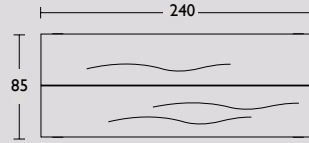
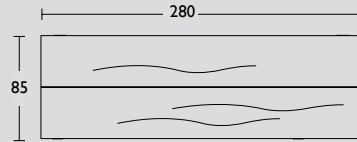
Different colors or wood are possible upon request. Please contact our office for more information. The tabletop can be made with a single rather than the standard double plank configuration upon request without surcharge.

### Side-to-Side bar table

This eye-catching bar table lends comfort and elegance to any space. Robust yet sophisticated, its design features a tabletop of solid French oak consisting of two halves lengthwise. Their exterior sides are milled to be seamlessly engaged by a bold steel frame created using special laser cut-technology. The combination of materials along with the refined finishes, results in a uniquely contemporary table.

Side-to-Side can be customized to fit your personal taste and space needs. It can be ordered with a tabletop of different dimensions, in different woods, and with a single rather than double plank configuration. Moreover, you can order the metal frame in the color of your choice and even modify its position.

### Side-to-Side bar table



# Side-to-Side bar table by QLIV

Manufactured in the Netherlands

Aprox. size in cm.	Finish A	Finish B	Finish C
160 x 85 x 95 of 110cm	€ 3.082	€ 3.164	€ 4.015
180 x 85 x 95 of 110cm	€ 3.169	€ 3.251	€ 4.085
200 x 85 x 95 of 110cm	€ 3.267	€ 3.350	€ 4.260
240 x 85 x 95 of 110cm	€ 3.551	€ 3.634	€ 4.732
280 x 85 x 95 of 110cm	€ 3.934	€ 4.004	€ 5.238

**All prices quoted are suggested retail prices. Free delivery in the Netherlands from 800,-Euro net otherwise 55,- Euro freight and handling costs.**

**Finish A:** soaped oak, natural oak oil, smoked oak oil.

**Finish B:** Skylt soap look, smoked Skylt soap look, smoked natural, white wash, ash grey, stone grey, carbon, smoked aged, coal black oak laquered.

**Finish C:** natural American walnut oil.

## **Table top:**

Solid French Oak (responsible harvest wood). Natural versions are being treated with linseed oil or soap. The smoking is a natural process which is done with ammonia. The smoking process brings out the natural dark brown color. Color differences may occur because of the variety of acid in the wood. The "aged", "ash grey", "coal black" and "white wash" oak versions are first stained and finished with a mat transparent lacquer. Skylt is a lacquer which is applied in multiple matt layers and gives the product a more natural and untreated look and feel. Natural and Smoked oak (Finish A) are also available in a matt lacquered version upon request. The price for this is equal to Finish B.

## **Brushed:**

Brushing of the tabletop is possible upon request with a surcharge of 10%. Knots are filled with 2 compartments of resin. The brushing process ensures a stronger drawing of the grain of the wood. Delivery time will be 8-10 weeks.

## **Frame:**

Laser cut rolled steel powder coated in the color dark grey (other colors are possible upon request with a surcharge of €395,-) The position of the frame can be changed upon request. The position of the frame can be placed to your liking.

## **Custom size:**

Custom size is possible on request. Price will be the size above + 10%

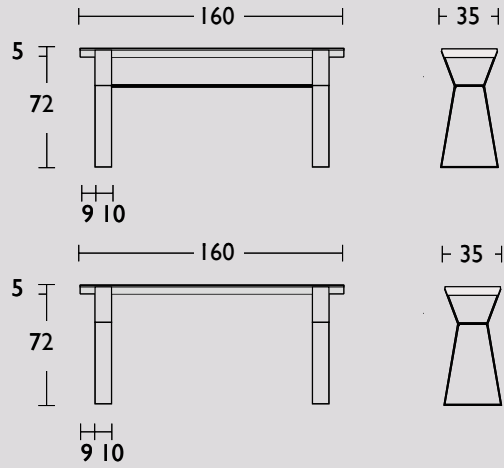
For example: price for a custom size 220 x 85 x 95 or 110 cm will be the price of the standard size 240 x 85 x 95 or 110 cm + 10% surcharge. Different colors or wood are possible upon request. Please contact our office for more information. The tabletop can be made with a single rather than the standard double plank configuration upon request without surcharge.



### Side-to-Side console/desk

The top of this robust yet sophisticated console table is made of solid French oak. For the detailed steel frame, finished with a powder coating, we use a special laser cut-technology. The sides of the console top are milled so that it is seamlessly engaged by the metal frame. This console with its depth of 35 cm (14 inch) can also be used as a desk. The optional lower level shelf of frosted mirror affords additional surface space and adds an unexpectedly different material element to the design.

### Side-to-Side console/desk



# Side-to-Side console/wandtafel by QLIV

Manufactured in the Netherlands

Aprox. size in cm.		Finish A	Finish B	Finish C
160 x 35 x 72cm	without lowerlevel shelf	€ 2.255	€ 2.384	€ 2.468
160 x 35 x 72cm	powder coated lowerlevel shelf	€ 2.427	€ 2.513	€ 2.616
160 x 35 x 72cm	frosted mirror lowerlevel shelf	€ 2.642	€ 2.728	€ 2.838
160 x 35 x 72cm	wooden lowerlevel shelf	€ 2.770	€ 2.899	€ 3.005

**All prices quoted are suggested retail prices. Free delivery in the Netherlands from 800,-Euro net otherwise 55,- Euro freight and handling costs.**

**Finish A:** soaped oak, natural oak oil, smoked oak oil.

**Finish B:** Skylt soap look, smoked Skylt soap look, smoked natural, white wash, ash grey, stone grey, carbon, smoked aged, coal black oak laquered.

**Finish C:** natural American walnut oil.

## **Table top:**

Solid French Oak (responsible harvest wood)

Natural versions are being treated with linseed oil or soap. The smoking is a natural process which is done with ammonia. The smoking process brings out the natural dark brown color. Color differences may occur because of the variety of acid in the wood. The "aged", "ash grey", "coal black" and "white wash" oak versions are first stained and finished with a matt transparent lacquer. Skylt is a lacquer which is applied in multiple matt layers and gives the product a more natural and untreated look and feel. Natural and Smoked oak (Finish A) are also available in a matt lacquered version upon request.

The price for this is equal to Finish B.

## **Brushed:**

Brushing of the tabletop is possible upon request with a surcharge of 10%. Knots are filled with 2 compartments of resin. The brushing process ensures a stronger drawing of the grain of the wood. Delivery time will be 8-10 weeks.

## **Frame:**

Laser cut rolled steel powder coated in the color dark grey (other colors are possible upon request with a surcharge)..

## **Lowerlevel shelf:**

The lowerlevel shelf is optional and standard available in powder coated steel same as the frame. Extra option is to add an additional surface to the steel lowerlevel shelf. Options for the extra surface are frosted mirror or wood.

## **Custom size:**

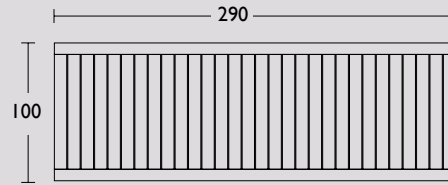
Custom size is possible. Price will be the size above + 10%. For example: price for a custom size 140 x 35 x 72cm will be the price of the standard size 160cm + 10% surcharge. Different colors or wood types are also possible upon request. Please supply us with a sample and we will send a sample back for your approval.

### Side-to-Side outdoor table

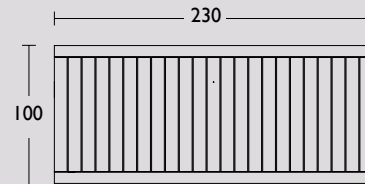
This eye-catching outdoor table lends comfort and elegance to any outdoor space. Robust yet sophisticated, its design features a tabletop of solid iroko. This tropical hardwood is an African species of very high quality. The colour and characteristics of the wood are similar to teak. Their exterior sides are milled to be seamlessly engaged by a bold steel frame created using special laser cut-technology. The combination of materials along with the refined finishes results in a uniquely contemporary outdoor table.

Stock item so quick shipment possible

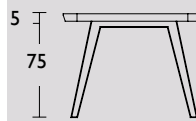
### Side-to-Side outdoor



Quick shipment



Quick shipment



# Side-to-Side outdoor table by QLIV

Manufactured in the Netherlands

Aprox. size in cm.		Untreated	Colored
230 x 100 x 75cm	QS	€ 3.393	€ 3.786
290 x 100 x 75cm	QS	€ 3.586	€ 3.982

**QUICK SHIPMENT:** The standard size of 230 and 290cm are stock items and are ready within 2 or 3 weeks.

All prices quoted are suggested retail prices. Free delivery in the Netherlands from 800,-Euro net otherwise 55,- Euro freight and handling costs.

**Available colors:** Ash grey and Charcoal black (Original maintenance kit will be included).

**Table top:**

Tabletop of solid Iroko. This tropical hardwood is an African species of very high quality. The color and characteristics of the wood are similar to Teak.

Our suppliers have their own concession and guarantee to deliver only the best quality Iroko hardwood, with a clear paper trail to guarantee sustainable entrepreneurship.

**Frame:**

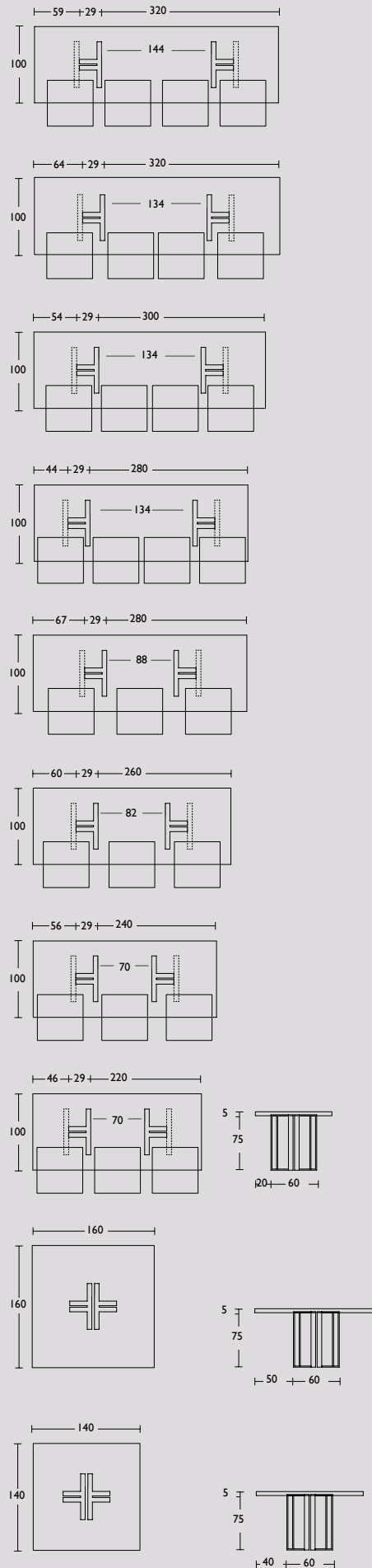
Laser cut rolled powder coated steel standard finished with a special outdoor paint treatment available in the colors dark grey or white (RAL 9010) (other colors are possible upon request with a surcharge of 198,- Euro) The position of the frame cannot be adjusted.



## T2 table

We Dutch love beauty, but also functionality. The T2 table offers best of both worlds and is attractive and practical at the same time. The name not only refers to the shape of the space-saving frame, T2 – a beautifully symmetrical design from QLIV's own design studio – also symbolizes the flexibility of the table, which is suitable for any interior.

## T2





# T2 table design by QLIV

Manufactured in the Netherlands

Aprox. size in cm.		Finish A	Finish B	Finish C
220 x 100 x 75cm	Rectangular	€ 3.314	€ 3.417	€ 4.573
240 x 100 x 75cm	Rectangular	€ 3.428	€ 3.532	€ 4.802
260 x 100 x 75cm	Rectangular	€ 3.543	€ 3.646	€ 5.031
280 x 100 x 75cm	Rectangular	€ 3.658	€ 3.755	€ 5.374
300 x 100 x 75cm	Rectangular	€ 3.755	€ 3.851	€ 5.718
320 x 100 x 75cm	Rectangular	€ 4.115	€ 4.211	€ 6.176
140 x 140 x 75cm	Square	€ 4.064	€ 4.158	€ 4.407
160 x 160 x 75cm	Square	€ 4.573	€ 4.751	€ 4.916

**All prices quoted are suggested retail prices. Free delivery in the Netherlands from 800,-Euro net otherwise 55,- Euro freight and handling costs.**

**Finish A:** soaped oak, natural oak oil, smoked oak oil.

**Finish B:** Skylt soap look, smoked Skylt soap look, smoked natural, white wash, ash grey, stone grey, carbon, smoked aged, coal black oak laquered.

**Finish C:** natural American walnut oil.

### **Table top (rectangular):**

Solid French Oak (responsible harvest wood). Natural versions are being treated with linseed oil or soap. The smoking is a natural process which is done with ammonia. The smoking process brings out the natural dark brown color. Color differences may occur because of the variety of acid in the wood. The “aged”, “ash grey”, “coal black” and “white wash” oak versions are first stained and finished with a mat transparent lacquer. Skylt is a lacquer which is applied in multiple matt layers and gives the product a more natural and untreated look and feel. Natural and Smoked oak (Finish A) are also available in a matt lacquered version upon request. The price for this is equal to Finish B.

### **Table top (square):**

These tabletops are made out of french oak veneer or American walnut veneer (sustainable logging)

### **Brushed:**

Brushing of the tabletop is possible upon request with a surcharge of 10%. Knots are filled with 2 compartments of resin. The brushing process ensures a stronger drawing of the grain of the wood. Delivery time will be 8-10 weeks..

### **Frame:**

Laser cut rolled steel powder coated in the color black RAL 9005. other colors are possible upon request with a surcharge of 395,- Euro. The position of the frame can be changed upon request. The standard position is as the line drawing.

### **Custom size:**

Custom size is possible on request. Price will be the size above + 10%

For example: price for a custom size 260 x 90 x 75cm will be the price of the standard size 260 x 100cm + 10% surcharge.

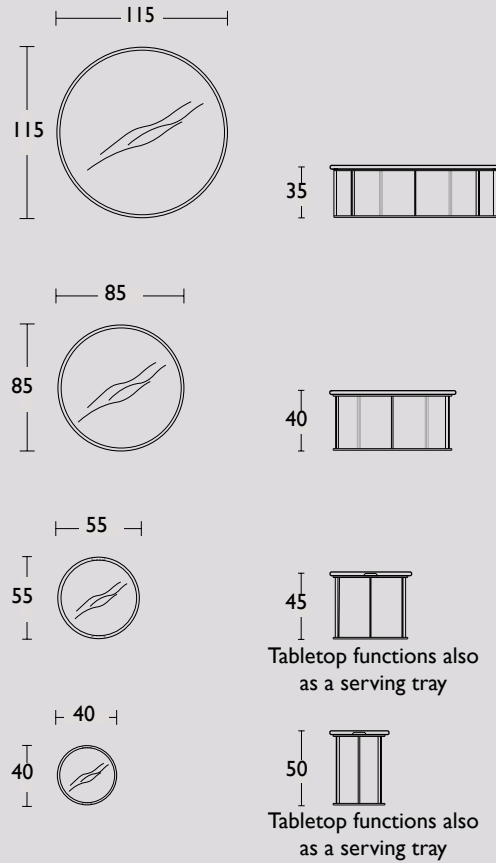
Different colors or wood are possible upon request. Please contact our office for more information.

### To be Served round tables

This distinctively designed series of round tables lends a stylish and playful note to any interior. The combination of materials, a solid oak top with a single piece steel frame created with laser cut-technology, is eye catching. The design's practicality is evident in the two smaller models in which the wooden top can be used as a serving tray by simply lifting up the tabletop off the base.

The smallest size affords the extra convenience of allowing the tabletop to be slid over the sofa, allowing sitters easy access to food and drinks placed on it!

### To be Served serie



# To be served round tables by QLIV

Manufactured in the Netherlands

Aprox. size in cm.		Finish A	Finish B	Finish C
Round 40 Ø x 50cm	Serving tray	€ 893	€ 992	€ 1.002
Round 55 Ø x 45cm	Serving tray	€ 1.241	€ 1.326	€ 1.301
Round 85 Ø x 40cm		€ 1.737	€ 1.799	€ 1.846
Round 115 Ø x 35cm		€ 2.254	€ 2.336	€ 2.409

**Upon ordering a set of 3 or more you will receive a 5% set discount.**

**All prices quoted are suggested retail prices. Free delivery in the Netherlands from 800,-Euro net otherwise 55,- Euro freight and handling costs.**

**Finish A:** soaped oak, natural oak oil, smoked oak oil.

**Finish B:** Skylt soap look, smoked Skylt soap look, smoked natural, white wash, ash grey, stone grey, carbon, smoked aged, coal black oak laquered.

**Finish C:** natural American walnut oil.

## **Table top:**

Solid French Oak (responsible harvest wood)

Natural versions are being treated with linseed oil or soap. The smoking is a natural process which is done with ammonia. The smoking process brings out the natural dark brown color. Color differences may occur because of the variety of acid in the wood.

The "aged", "ash grey", "coal black" and "white wash" oak versions are first stained and finished with a mat transparent lacquer.

Skylt is a lacquer which is applied in multiple matt layers and gives the product a more natural and untreated look and feel.

Natural and Smoked oak (Finish A) are also available in a matt lacquered version upon request.

The price for this is equal to Finish B.

## **Brushed:**

Brushing of the tabletop is possible upon request with a surcharge of 10%. Knots are filled with 2 compartments of resin. The brushing process ensures a stronger drawing of the grain of the wood. Delivery time will be 8-10 weeks.

## **Frame:**

Laser-cut rolled steel, powder coated in the color black or bronze (other colors are possible upon request with a surcharge).

## **Extra option:**

Size 40 and 55cm are supplied as standard with a separate tray that can possibly function as a tray. On request it is possible to have the tray fixed on the frame. The handles will then be canceled without surcharge.