

QLIV manufactured in the Netherlands

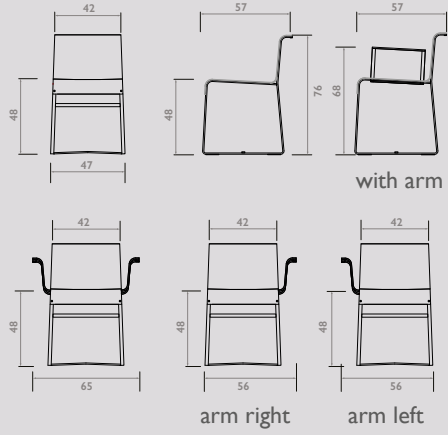
price list 2021

recommended retail price

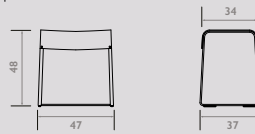


Founded Collection

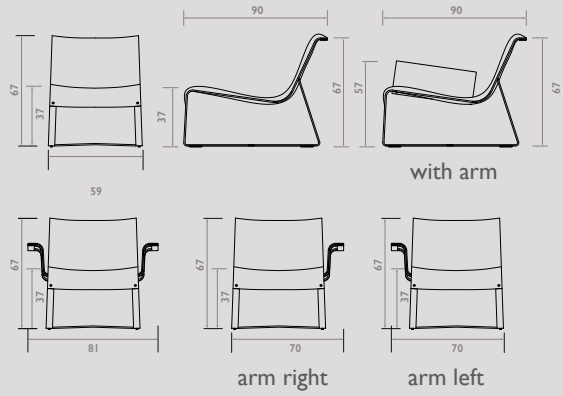
Founded Chair



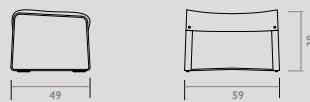
Founded Stool



Founded Lounge Chair



Founded Ottoman



Founded Collection by Richard Schipper

Manufactured in the Netherlands

	Without arm	1 arm	2 arms
Founded Chair	€ 895,00	€ 1045,00	€ 1195,00
Founded Stool hight 45 cm	€ 595,00		
Founded Lounge Chair	€ 2.490,00	€ 2.895,00	€ 3.290,00
Founded Ottoman	€ 1245,00		

All stated prices are recommended retail prices, origin the Netherlands

Standard version leather collection Ohmann:

Saddle Nubuck, colors Cinnamon and Anthracite

Saddle Touch, Black, Brown and Cognac

Other colors leather quality Saddle, wich are suplied by Ohmann, are available on request with a surcharge.

Body:

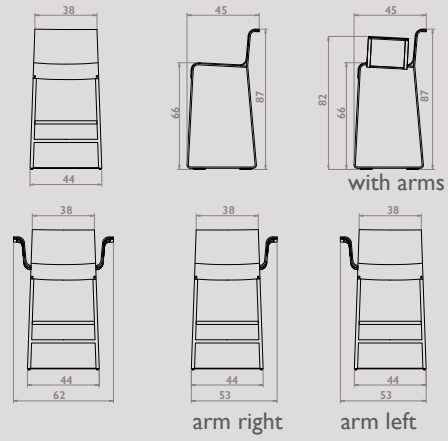
The body is made of thick saddle leather and mounted to the steel frame with invisible metal strips.

Frame:

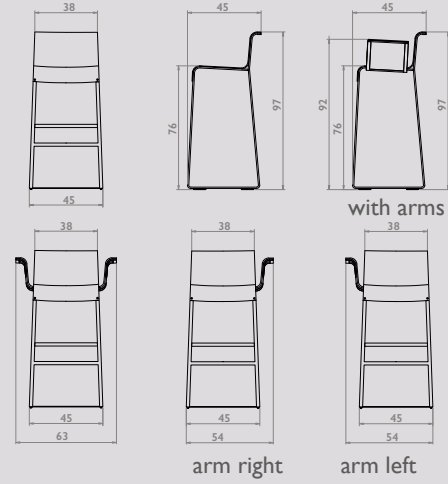
The steel frame consist on one part; artisanal bent to the precise shape and finished with a dark gray powder coating RAL 7021 using laser cut-technology. All chairs come with felt glides as standard and are suitable for hard and soft floors.

Founded Collection

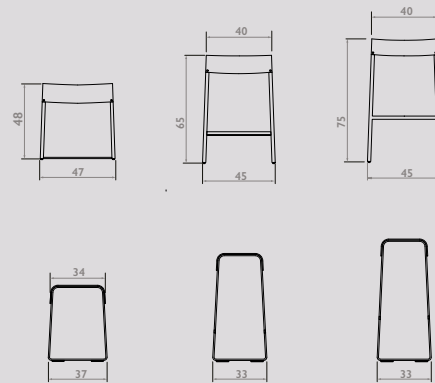
Founded Counter chair 65



Founded Bar chair 75



Founded Stool 45, 65 en 75



Founded Collection by Richard Schipper

Manufactured in the Netherlands

	Without arms	1 arm	2 arms
Founded Counter chair hight 65 cm	€ 890,00	€ 1.090,00	€ 1.290,00
Founded Bar chair hight 75 cm	€ 920,00	€ 1.120,00	€ 1.320,00
Founded Stool hight 45 cm	€ 595,00		
hight 65 cm	€ 645,00		
hight 75 cm	€ 775,00		

All stated prices are recommended retail prices, origin the Netherlands

Standard version leather collection Ohmann:

Saddle Nubuck, colors Cinnamon and Anthracite

Saddle Touch, Black, Brown and Cognac

Other colors leather quality Saddle, wich are suplied by Ohmann, are available on request with a surcharge.

Body:

The body is made of thick saddle leather and mounted to the steel frame with invisible metal strips.

Frame:

The steel frame consist on one part; artisanal bent to the precise shape and finished with a dark gray powder coating RAL 7021 using laser cut-technology. All chairs come with felt glides as standard and are suitable for hard and soft floors.